

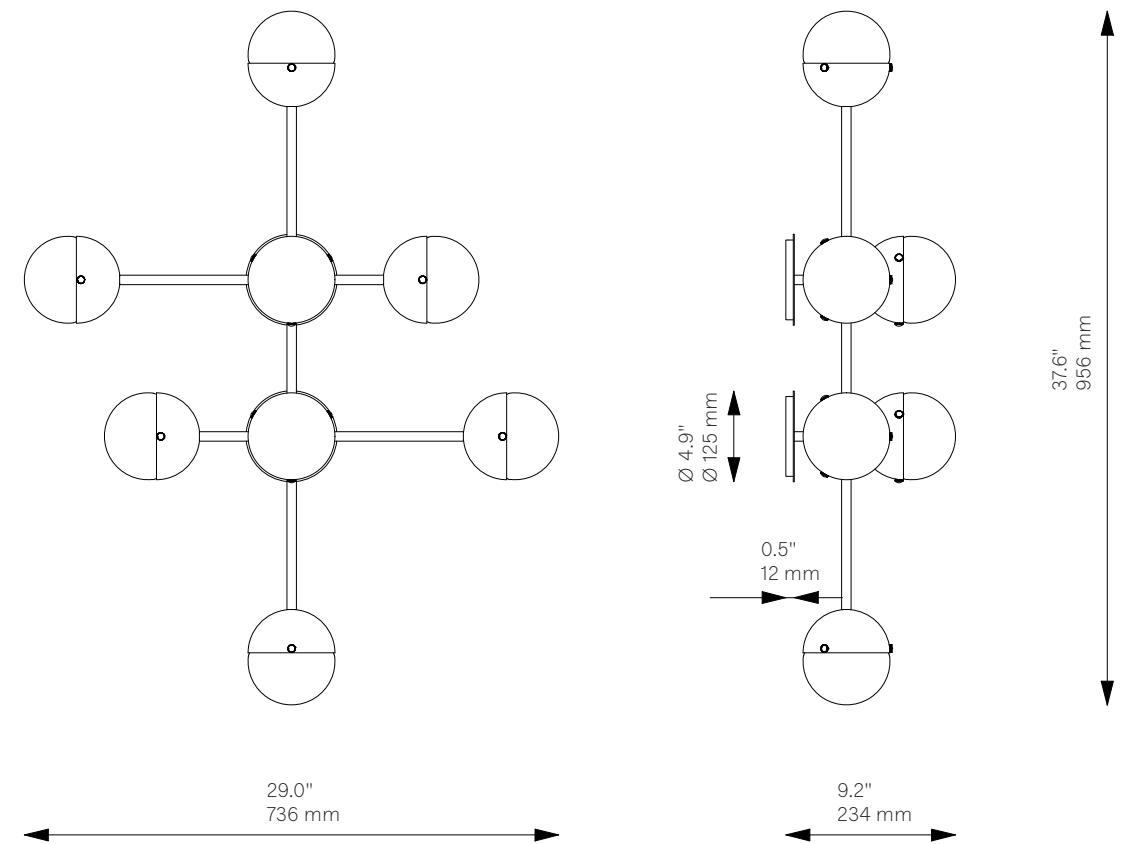


# Molecule 8

Wall Sconce - B331

Molecule Collection

## Schwung Product Information



### Glass Lampshades

8 x Ø 120 mm / Ø 4.7"

<sup>1</sup> Borosilicate Transparent Glass

<sup>2</sup> Borosilicate Sandblasted Glass

### Weight

8.0 kg / 17.6 lb

### Light Source

LED Bulb (included)	8 x 3-4 W
Max Wattage	8 x 10 W
Total Lumens	1600 lm
Color Temperature	2000-2800 K
Bulb Base	E27 / E26
Power Supply	230/120V CE/UL

Dimmable with electronic dimmers only (ELV, trailing edge)

### Finishes

LBB / Lacquered Burnished Brass  
BGM / Black Gunmetal

### CE/UL Certified

CE/UL

### Ingress Protection

IP 20