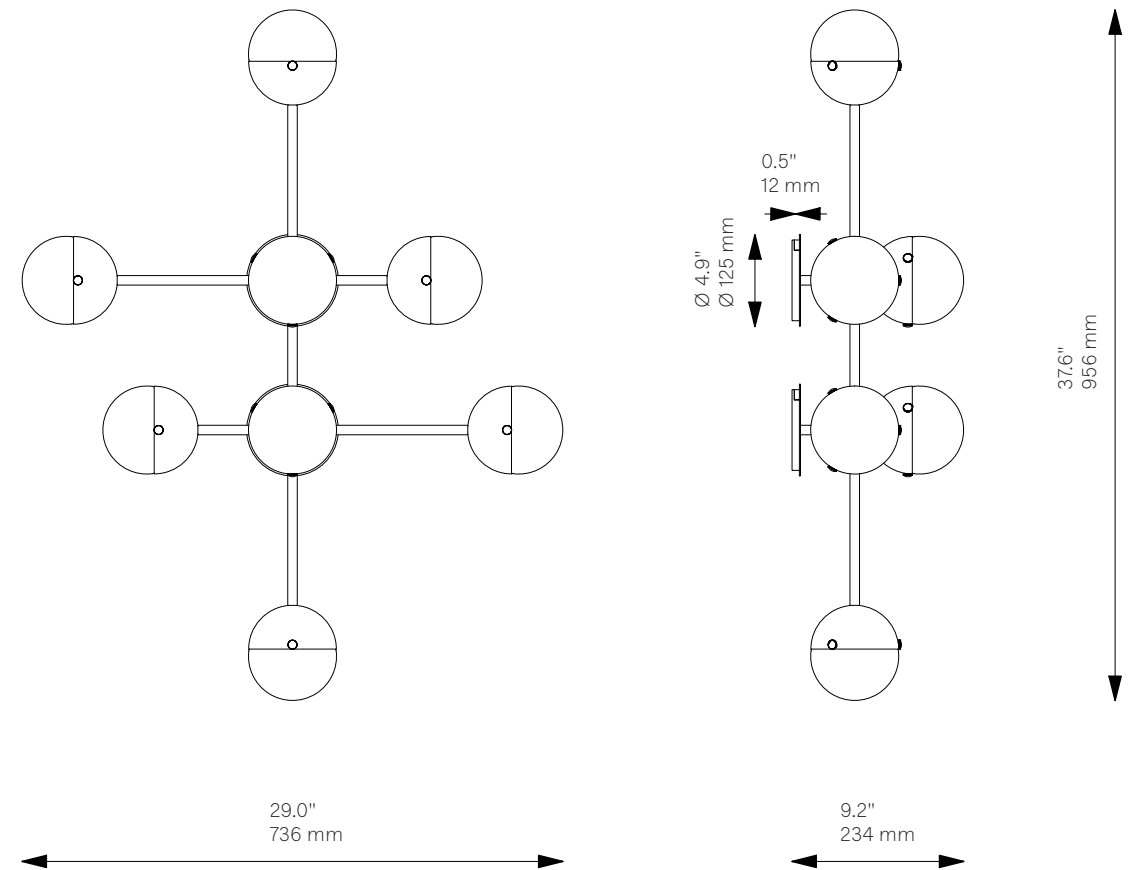




# Molecule 8 <sup>New</sup>

Flush Mount - B331

Molecule Collection



## Glass Lampshades

8 x Ø 120 mm / Ø 4.7"

<sup>1</sup> Borosilicate Transparent Glass

<sup>2</sup> Borosilicate Transparent Glass (sandblasted inside)

## Weight

6.4 kg / 14.1 lb

## Light Source

LED Bulb (included)	8 x 5 W
Max Wattage	8 x 10 W
Total Lumens	3600-4000 lm
Color Temperature	2700 K
Bulb Base	E27 / E26
Power Supply	230/120V CE/UL

Dimmable with electronic dimmers only (ELV, trailing edge)

## Finishes

LBB / Lacquered Burnished Brass  
BGM / Black Gunmetal

## CE/UL Certified

CE/UL

## Ingress Protection

IP 20