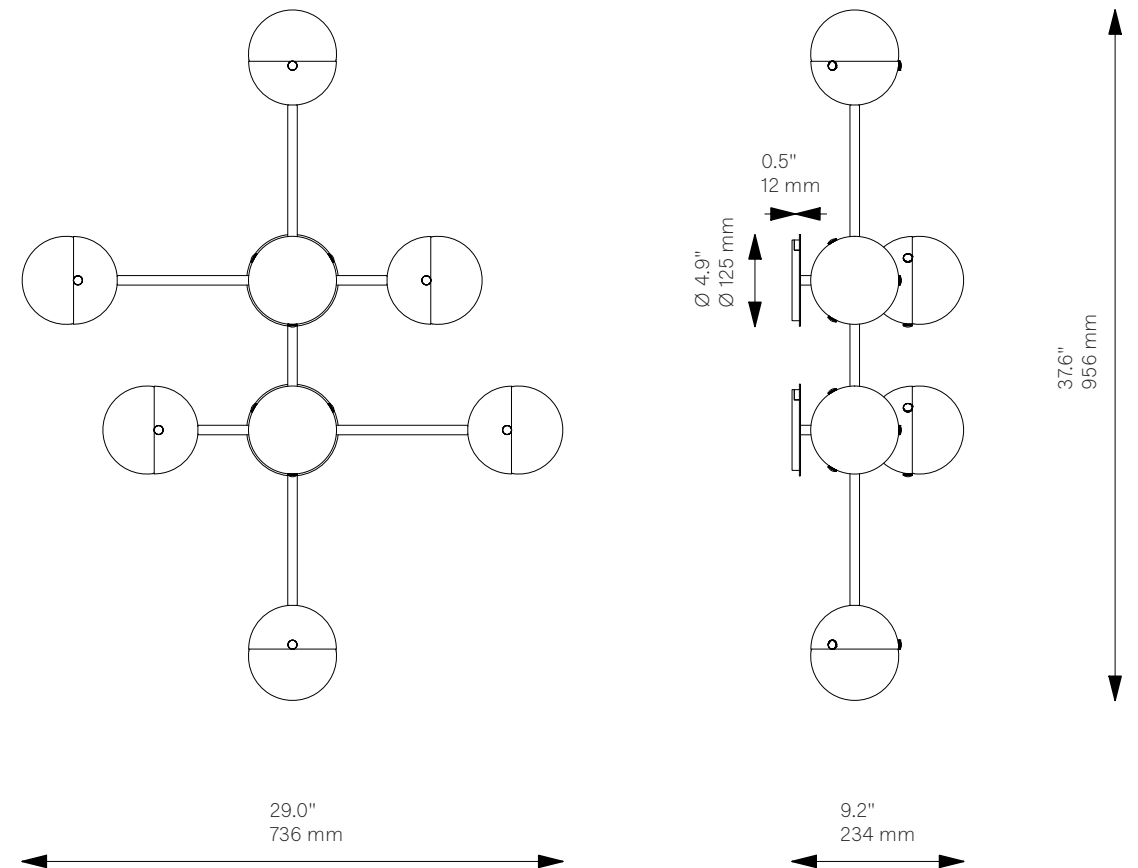




Molecule 8 ^{New}

Wall Sconce - B331

Molecule Collection



Glass Lampshades

8 x Ø 120 mm / Ø 4.7"

¹ Borosilicate Transparent Glass

² Borosilicate Transparent Glass (sandblasted inside)

Weight

6.4 kg / 14.1 lb

Light Source

LED Bulb (included)	8 x 5 W
Max Wattage	8 x 10 W
Total Lumens	3600-4000 lm
Color Temperature	2700 K
Bulb Base	E27 / E26
Power Supply	230/120V CE/UL

Dimmable with electronic dimmers only (ELV, trailing edge)

Finishes

LBB / Lacquered Burnished Brass
BGM / Black Gunmetal

CE/UL Certified

CE/UL

Ingress Protection

IP 20