

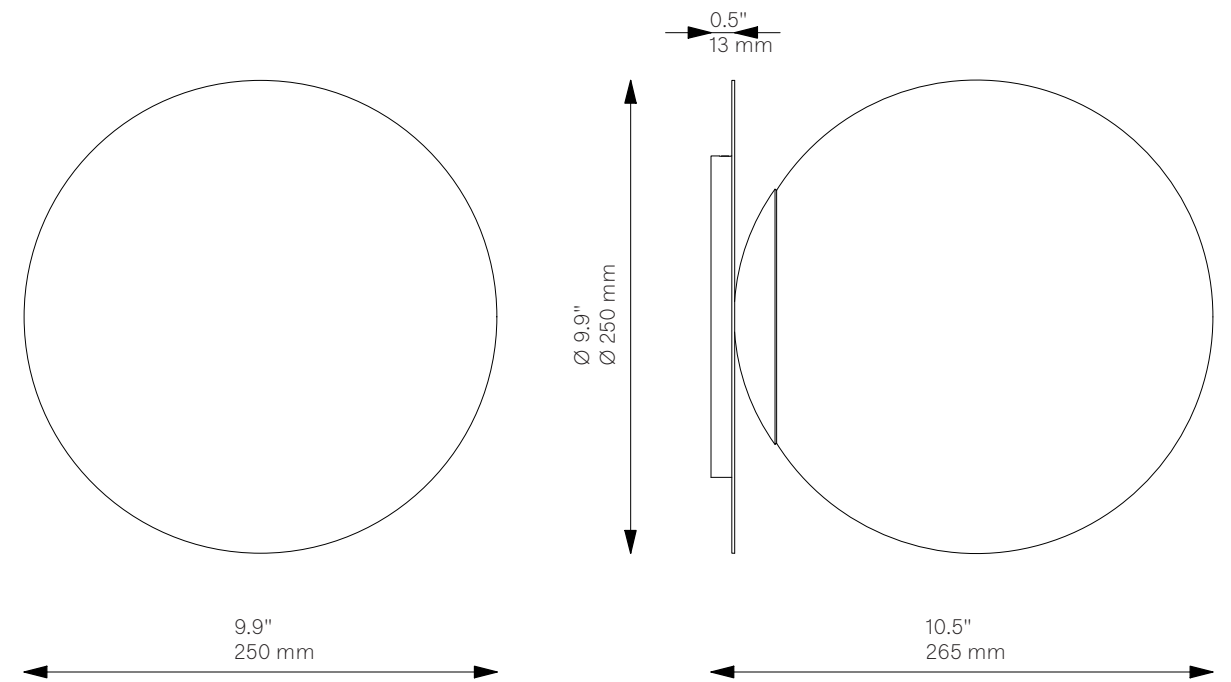


Pulsar 250^{New}

Wall Sconce - B650

Globe Collection

Schwung Product Information



Glass Lampshades

1 x Ø 250 mm / Ø 9.9"
Soda Lime Triplex Opal Glass
Soda Lime Marble Glass
Borosilicate Transparent Glass

Weight

2.8 kg / 6.2 lb

Light Source

LED Bulb (included) 1 x 5 W
Max Wattage 1 x 10 W
Total Lumens 450-500 lm
Color Temperature 2700 K
Bulb Base E14 / E12

Dimmable with electronic
Dimmers only (ELV, trailing edge)

Finishes

LBB / Lacquered Burnished Brass
BGM / Black Gunmetal
PN / Polished Nickel

CE/UL Certified

CE/UL

Ingress Protection

IP 20