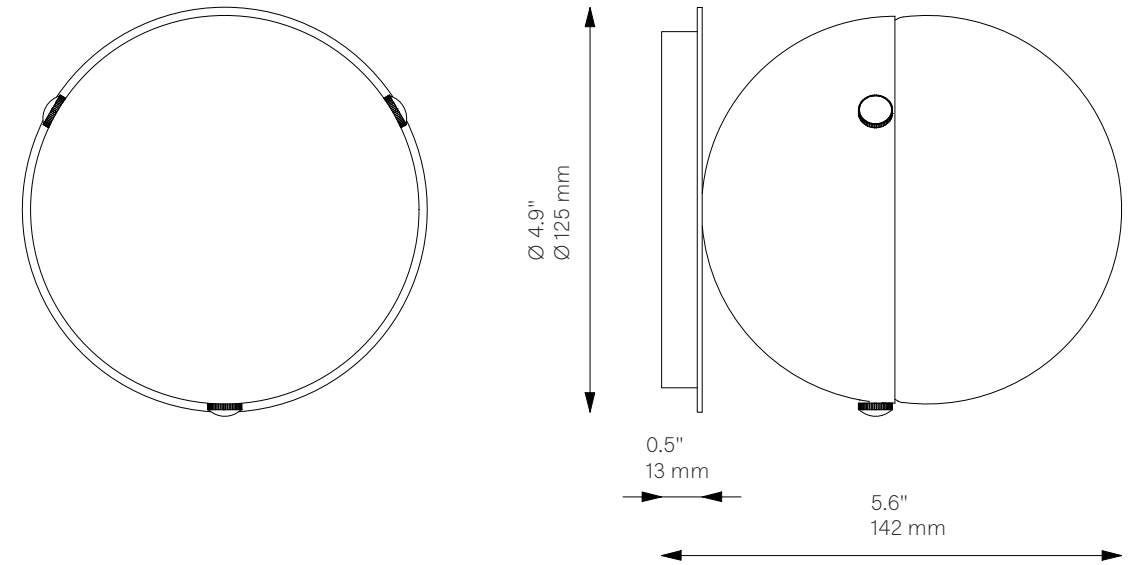




# Molecule 1

Wall Sconce - B657

Molecule Collection



## Glass Lampshades

1 x Ø 120 mm / Ø 4.7"

<sup>1</sup> Borosilicate Transparent Glass

<sup>2</sup> Borosilicate Sandblasted Glass

## Weight

1.1 kg / 2.4 lb

## Light Source

LED Bulb (included)	1 x 3-4 W
Max Wattage	1 x 10 W
Total Lumens	200 lm
Color Temperature	2000-2800 K
Bulb Base	E27 / E26
Power Supply	230/120V CE/UL

Dimmable with electronic dimmers only (ELV, trailing edge)

## Finishes

LBB / Lacquered Burnished Brass  
BGM / Black Gunmetal

## Canopy (Vaulted Ceiling Compatible)

Ø 125 mm	H 13 mm
Ø 4.9"	H 0.5"

## CE/UL Certified

CE/UL

## Ingress Protection

IP 20