

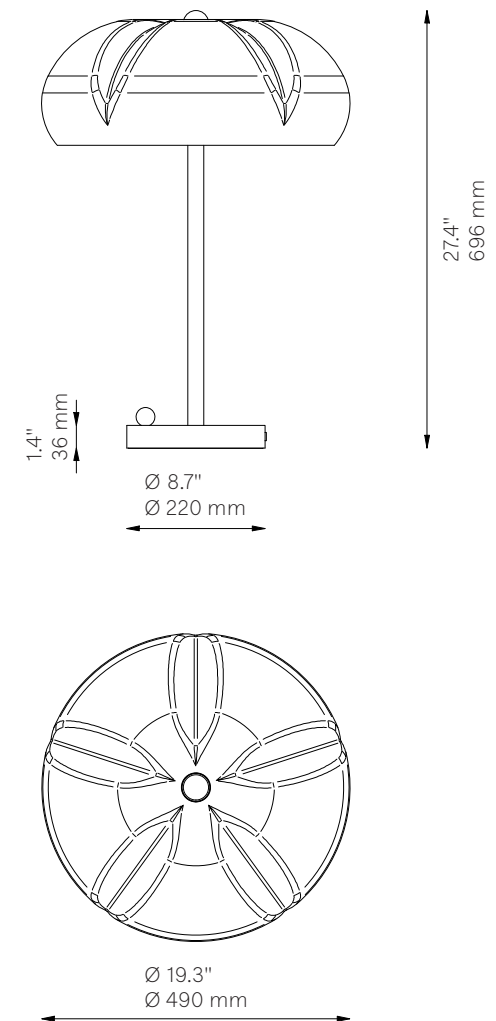


# Hana

Table Lamp - B672

Hana Collection

## Schwung Product Information



<b>Glass Lampshades</b>	1 x Ø 490 mm x H 200 mm 1 x Ø 19.3" x H 7.9" Borosilicate Sandblasted Glass												
<b>Weight</b>	7.6 kg / 16.8 lb												
<b>Light Source</b>	<table border="0"> <tr> <td>LED Bulb (included)</td> <td>3 x 4 W</td> </tr> <tr> <td>Max Wattage</td> <td>3 x 15 W</td> </tr> <tr> <td>Total Lumens</td> <td>660 lm</td> </tr> <tr> <td>Color Temperature</td> <td>2200-3000 K</td> </tr> <tr> <td>Bulb Base</td> <td>E14/E12</td> </tr> <tr> <td>Power Supply</td> <td>230/120V CE/UL</td> </tr> </table> <p>Dimmable with electronic dimmers only (ELV, trailing edge)</p>	LED Bulb (included)	3 x 4 W	Max Wattage	3 x 15 W	Total Lumens	660 lm	Color Temperature	2200-3000 K	Bulb Base	E14/E12	Power Supply	230/120V CE/UL
LED Bulb (included)	3 x 4 W												
Max Wattage	3 x 15 W												
Total Lumens	660 lm												
Color Temperature	2200-3000 K												
Bulb Base	E14/E12												
Power Supply	230/120V CE/UL												
<b>Finishes</b>	LBB / Lacquered Burnished Brass BGM / Black Gunmetal												
<b>Cord</b>	3000 mm / 118.1" Dimmer and on-off switch location in base.												
<b>CE/UL Certified</b>	CE/UL												
<b>Ingress Protection</b>	IP 20												