

SCHWUNG



PRODUCT INFORMATION

SCHWUNG

TO EXIST AND THRIVE WITHOUT CAUSING HARM

From day one of our company, we made it clear that we go green, and we meant it.

Besides the usual recycling of waste, cutting down our electricity and water use, we went a few steps further. We believe that consciousness and care must shine through everything we do.

That's why, next to our photovoltaic solar panel, that produces 80% of our company's electricity demand. We created a flower patch. It's not just for admiring its flourishing beauty, but also to support local bees and bid farewell to mowing a lawn—an often-overlooked activity that destroys the natural habitat of various species and contributes to the wasteful use of petrol.

Speaking of which, we always encourage commuting via bike rather than a vehicle. Our offices and warehouses are equipped with bike stands available to all employees and guests who decide to drop by and pay a visit. We are devoted to sourcing materials and producing our precious objects locally, maintaining a short and well-thought-out supply chain to ensure our carbon footprint is minimal.

At SCHWUNG, everything is handcrafted. Our carefully formed fixtures, made from recyclable materials like brass and glass, have come to existence to last and complement every space with their charm and elegance.

Nothing is more wasteful than fading trends, all our illuminated objects are made of brass and glass, achieving a recycling rate of at least 95%. Timelessness and quality are the signatures we gladly put under every piece that leaves in the hands of our skilled artisans. Rest assured that every piece will arrive safely, packed in a 100% recyclable cardboard box and secured by cushioning consisting of 65% Ethafoam® HRC, an entirely recyclable material.

In keeping with eco-conscious advancements, we've adopted a more conservative approach to printing. In this digital age, our offices are moving away from physical copies of every document to computer databases and archives. We feel responsible for protecting forest ecosystems and reducing the demand for energy-intensive manufacturing processes.

Care is an action, an emotion, an exploration. We feel a need to try harder, to do more to maintain the splendor of nature itself. Regardless of the size of the effort, the goal remains the same: to exist and thrive without causing harm. The core of our eco-consciousness is to implement care for the surroundings in everything we do. From minor improvements to great changes, we untiringly put effort into everything we do and will continue to do so for the greater good.

Rudi Nijssen & Dominique Sente

CEO & Creative Director at SCHWUNG

Schwung is a creative studio with the heart of a collector and the hands of a maker. We imagine, design, build and gather an endlessly evolving family of desirable objects that bring energy, warmth and pleasure to personal spaces of every kind. We're obsessive accumulators – of objects, stories and people. We're constantly growing our unique archive of useful, whimsical and beautiful pieces that have lived – and will live – for years and generations to come. We call them enlightened objects.

Table of Content

Ceiling

Flush Mount

Wall

Floor

Table

Globe Types

Contact

Ceiling





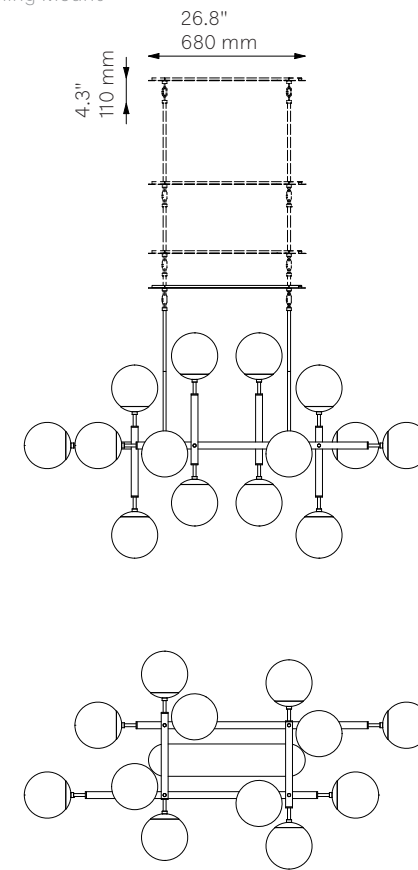
Riegel

Chandelier - B303

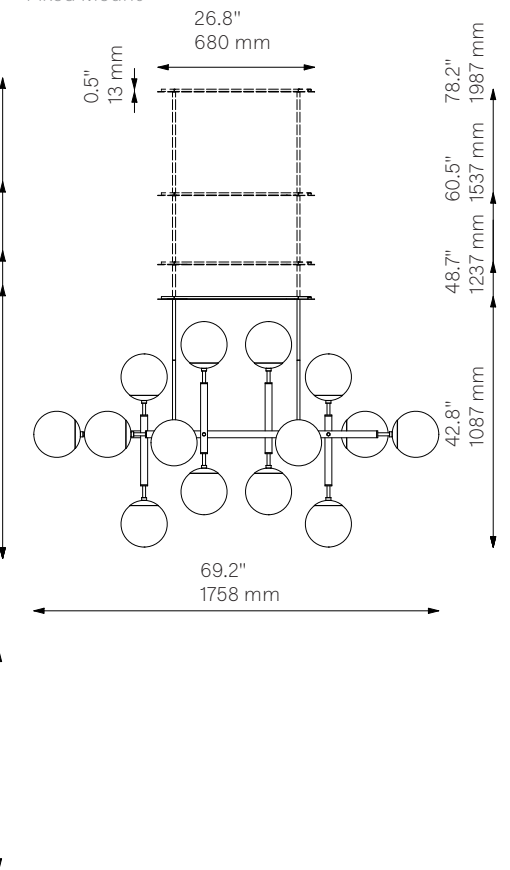
Globe Collection

Schwung Product Information

Vaulted Ceiling Mount



Fixed Mount



Glass Lampshades

16 x Ø 200 mm / Ø 7.9"

- ¹ Soda Lime Triplex Opal Matte Glass
- ² Soda Lime Marble Matte Glass
- ³ Borosilicate Transparent Ribbon Glass

Weight

32.2 kg / 71.2 lb

Light Source

| | |
|---------------------|----------------|
| LED Bulb (included) | 16 x 4-5 W |
| Max Wattage | 16 x 10 W |
| Total Lumens | 3520 lm |
| Color Temperature | 2200-3000 K |
| Bulb Base | E14 / E12 |
| Power Supply | 230/120V CE/UL |

Dimmable with electronic dimmers only (ELV, trailing edge)

Finishes

LBB / Lacquered Burnished Brass
 BGM / Black Gunmetal
 PN / Polished Nickel (extra charge of 25%)

Extension Rods (Included)

| | | |
|------------|------------|------------|
| 2 x 150 mm | 2 x 300 mm | 2 x 450 mm |
| 2 x 5.9" | 2 x 11.8" | 2 x 17.7" |

Canopy (Vaulted Ceiling Compatible)

| | | |
|----------|----------|---------|
| W 680 mm | W 140 mm | H 13 mm |
| W 26.8" | W 5.5" | H 0.5" |

CE/UL Certified

CE/UL

Ingress Protection

IP 20



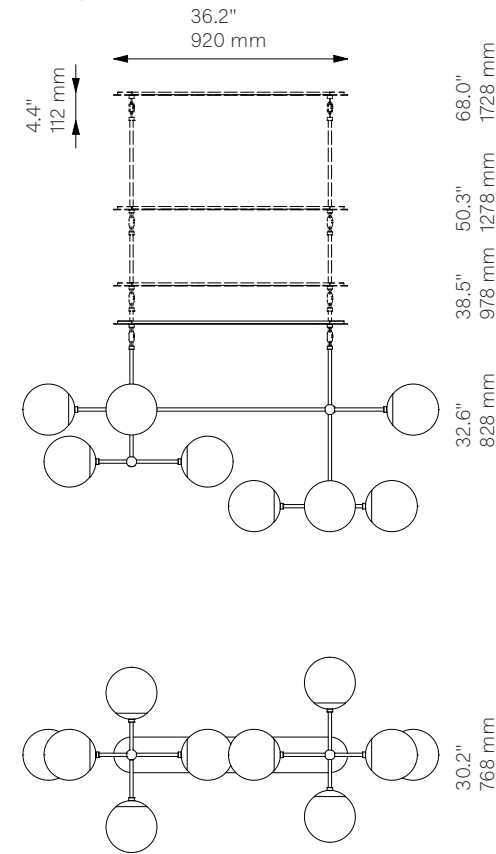
Armstrong Linear

Chandelier - B374

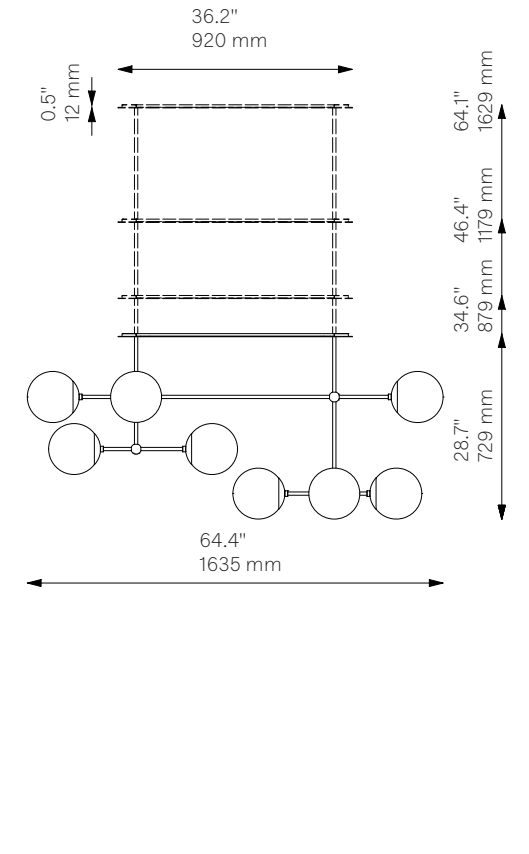
Globe Collection

Schwung Product Information

Vaulted Ceiling Mount



Fixed Mount



Glass Lampshades

10 x Ø 200 mm / Ø 7.9"

¹ Soda Lime Triplex Opal Matte Glass

² Soda Lime Marble Matte Glass

³ Borosilicate Transparent Ribbon Glass

Weight

18.6 kg / 41.0 lb

Light Source

| | |
|---------------------|----------------|
| LED Bulb (included) | 10 x 4-5 W |
| Max Wattage | 10 x 10 W |
| Total Lumens | 2200 lm |
| Color Temperature | 2200-3000 K |
| Bulb Base | E14 / E12 |
| Power Supply | 230/120V CE/UL |

Dimmable with electronic dimmers only (ELV, trailing edge)

Finishes

LBB / Lacquered Burnished Brass

BGM / Black Gunmetal

PN / Polished Nickel (extra charge of 25%)

Extension Rods (Included)

| | | |
|------------|------------|------------|
| 2 x 150 mm | 2 x 300 mm | 2 x 450 mm |
| 2 x 5.9" | 2 x 11.8" | 2 x 17.7" |

Canopy (Vaulted Ceiling Compatible)

| | | |
|----------|----------|---------|
| W 920 mm | W 140 mm | H 12 mm |
| W 36.2" | W 5.5" | H 0.5" |

CE/UL Certified

CE/UL

Ingress Protection

IP 20



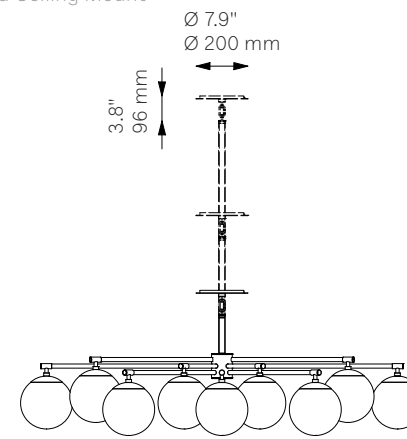
Orion Oval

Chandelier - B612

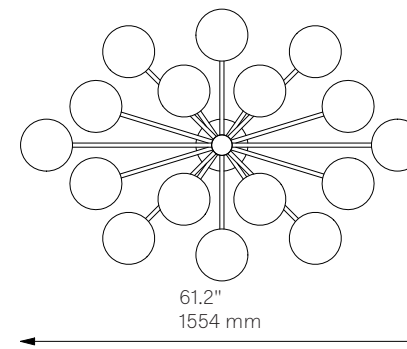
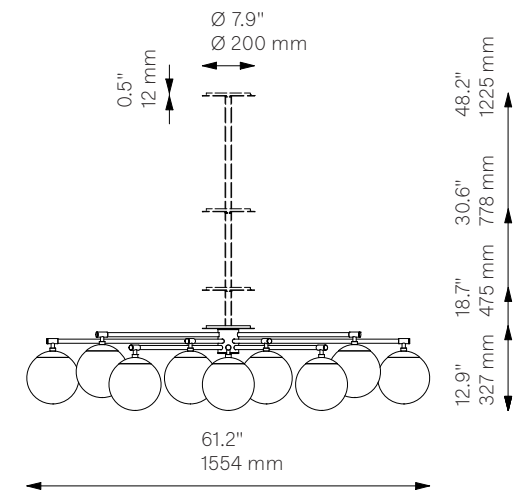
Globe Collection

Schwung Product Information

Vaulted Ceiling Mount



Fixed Mount



Glass Lampshades

16 x Ø 200 mm / Ø 7.9"

¹ Soda Lime Triplex Opal Matte Glass

² Soda Lime Marble Matte Glass

³ Borosilicate Transparent Ribbon Glass

Weight

26.6 kg / 58.6 lb

Light Source

| | |
|---------------------|----------------|
| LED Bulb (included) | 16 x 4-5 W |
| Max Wattage | 16 x 10 W |
| Total Lumens | 3520 lm |
| Color Temperature | 2200-3000 K |
| Bulb Base | E14 / E12 |
| Power Supply | 230/120V CE/UL |

Dimmable with electronic dimmers only (ELV, trailing edge)

Finishes

LBB / Lacquered Burnished Brass
 BGM / Black Gunmetal
 PN / Polished Nickel (extra charge of 25%)

Extension Rods (Included)

| | | |
|------------|------------|------------|
| 1 x 150 mm | 1 x 300 mm | 1 x 450 mm |
| 1 x 5.9" | 1 x 11.8" | 1 x 17.7" |

Canopy (Vaulted Ceiling Compatible)

| | |
|----------|---------|
| Ø 200 mm | H 12 mm |
| Ø 7.9" | H 0.5" |

CE/UL Certified

CE/UL

Ingress Protection

IP 20



Orion Round

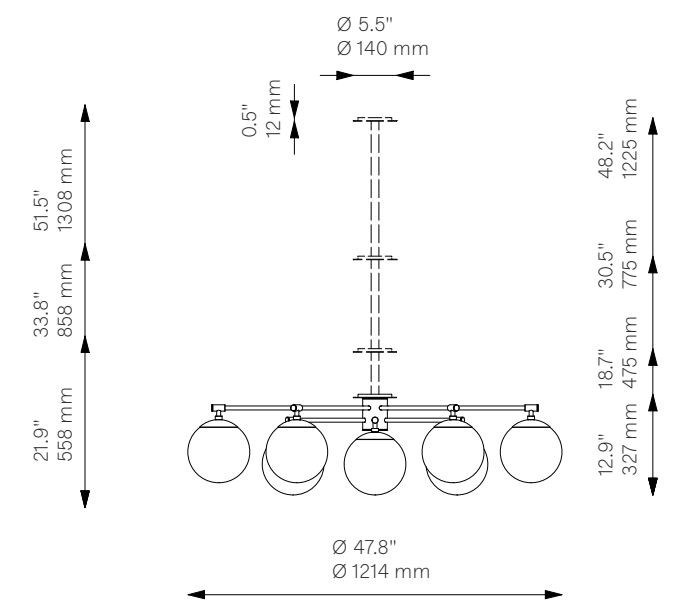
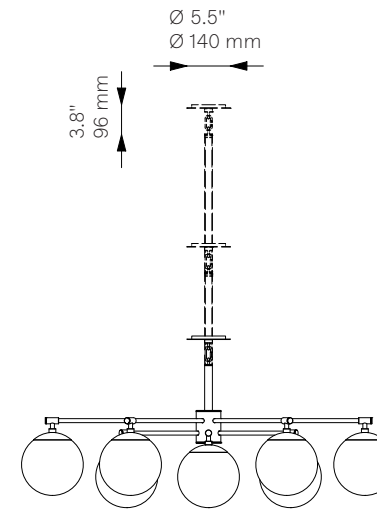
Chandelier - B300

Globe Collection

Schwung Product Information

Vaulted Ceiling Mount

Fixed Mount



Glass Lampshades

12 x Ø 200 mm / Ø 7.9"

¹ Soda Lime Triplex Opal Matte Glass

² Soda Lime Marble Matte Glass

³ Borosilicate Transparent Ribbon Glass

Weight

19.5 kg / 43.0 lb

Light Source

| | |
|---------------------|----------------|
| LED Bulb (included) | 12 x 4-5 W |
| Max Wattage | 12 x 10 W |
| Total Lumens | 2640 lm |
| Color Temperature | 2200-3000 K |
| Bulb Base | E14 / E12 |
| Power Supply | 230/120V CE/UL |

Dimmable with electronic dimmers only (ELV, trailing edge)

Finishes

LBB / Lacquered Burnished Brass
 BGM / Black Gunmetal
 PN / Polished Nickel (extra charge of 25%)

Extension Rods (Included)

| | | |
|------------|-----------|------------|
| 1 x 150 mm | 1 x 300mm | 1 x 450 mm |
| 1 x 5.9" | 1 x 11.8" | 1 x 17.7" |

Canopy (Vaulted Ceiling Compatible)

| | |
|----------|---------|
| Ø 140 mm | H 12 mm |
| Ø 5.5" | H 0.5" |

CE/UL Certified

CE/UL

Ingress Protection

IP 20



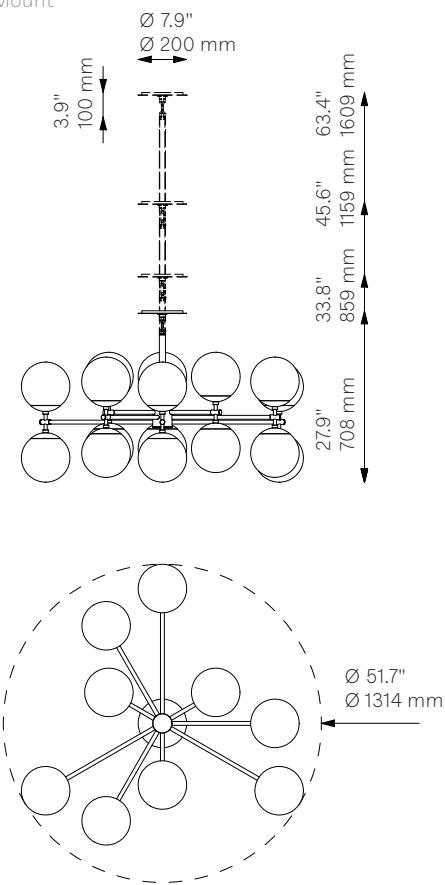
Zodiac

Chandelier - B298

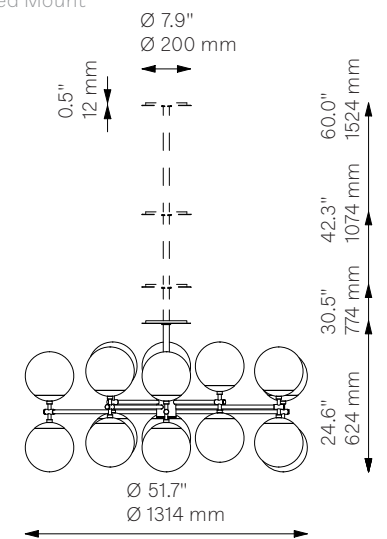
Globe Collection

Schwung Product Information

Vaulted Ceiling Mount



Fixed Mount



Glass Lampshades

18 x Ø 200 mm / Ø 7.9"

¹ Soda Lime Triplex Opal Matte Glass

² Soda Lime Marble Matte Glass

³ Borosilicate Transparent Ribbon Glass

Weight

26.8 kg / 59.1 lb

Light Source

| | |
|---------------------|----------------|
| LED Bulb (included) | 18 x 4-5 W |
| Max Wattage | 18 x 10 W |
| Total Lumens | 3960 lm |
| Color Temperature | 2200-3000 K |
| Bulb Base | E14 / E12 |
| Power Supply | 230/120V CE/UL |

Dimmable with electronic dimmers only (ELV, trailing edge)

Finishes

LBB / Lacquered Burnished Brass
 BGM / Black Gunmetal
 PN / Polished Nickel (extra charge of 25%)

Extension Rods (Included)

| | | |
|------------|------------|------------|
| 1 x 150 mm | 1 x 300 mm | 1 x 450 mm |
| 1 x 5.9" | 1 x 11.8" | 1 x 17.7" |

Canopy (Vaulted Ceiling Compatible)

| | |
|----------|---------|
| Ø 200 mm | H 12 mm |
| Ø 7.9" | H 0.5" |

CE/UL Certified

CE/UL

Ingress Protection

IP 20



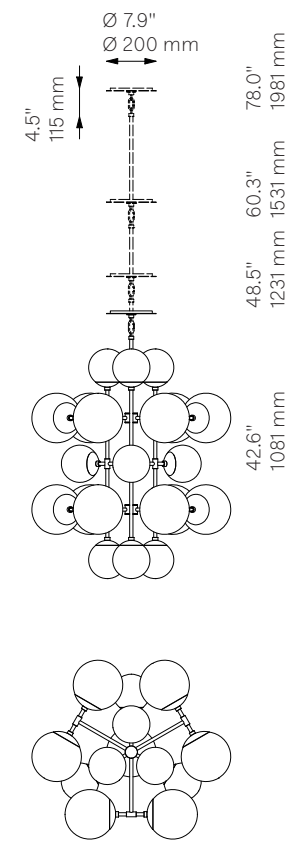
Glow

Chandelier - B404

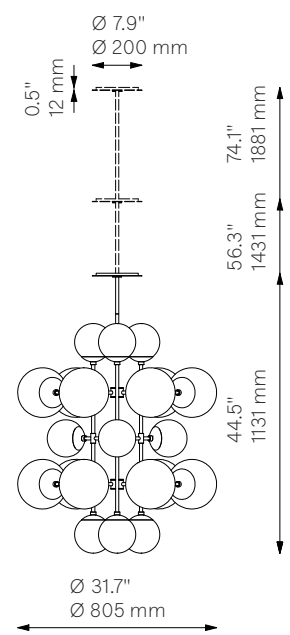
Globe Collection

Schwung Product Information

Vaulted Ceiling Mount



Fixed Mount



Glass Lampshades

- 12 x Ø 200 mm / Ø 7.9"
- 9 x Ø 150 mm / Ø 5.9"
- 1 Soda Lime Triplex Opal Matte Glass
- 2 Soda Lime Marble Matte Glass
- 3 Borosilicate Transparent Ribbon Glass

Weight

24.5 kg / 54.0 lb

Light Source

| | |
|---------------------|----------------|
| LED Bulb (included) | 21 x 4-5 W |
| Max Wattage | 21 x 10 W |
| Total Lumens | 4620 lm |
| Color Temperature | 2200-3000 K |
| Bulb Base | E14 / E12 |
| Power Supply | 230/120V CE/UL |

Dimmable with electronic dimmers only (ELV, trailing edge)

Finishes

- LBB / Lacquered Burnished Brass
- BGM / Black Gunmetal
- PN / Polished Nickel (extra charge of 25%)

Extension Rods (Included)

| | | |
|------------|------------|------------|
| 1 x 150 mm | 1 x 300 mm | 1 x 450 mm |
| 1 x 5.9" | 1 x 11.8" | 1 x 17.7" |

Canopy (Vaulted Ceiling Compatible)

| | |
|----------|---------|
| Ø 200 mm | H 12 mm |
| Ø 7.9" | H 0.5" |

CE/UL Certified

CE/UL

Ingress Protection

IP 20



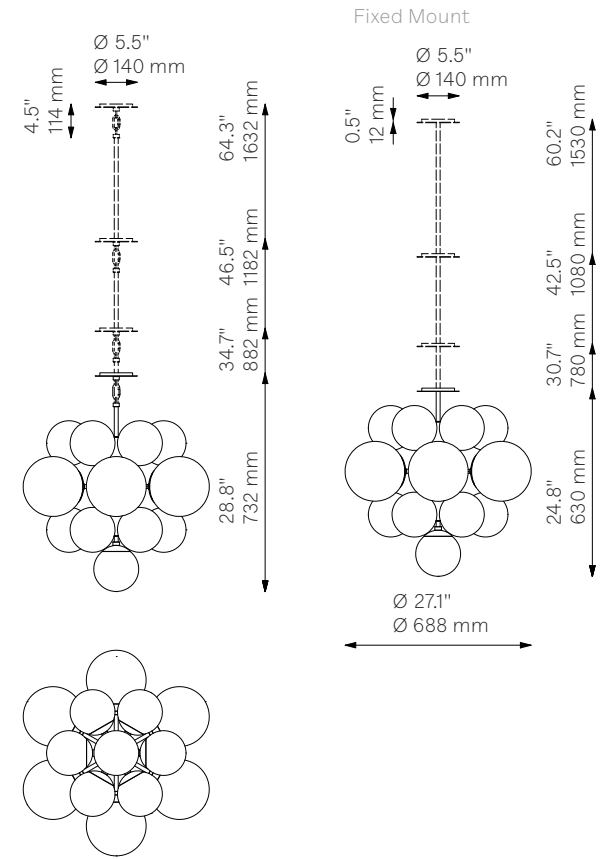
Nova

Chandelier - B430

Globe Collection

Schwung Product Information

Vaulted Ceiling Mount



Glass Lampshades

13 x Ø 150 mm / Ø 5.9"

6 x Ø 200 mm / Ø 7.9"

¹ Soda Lime Triplex Matte Opal Glass

² Soda Lime Marble Matte Glass

³ Borosilicate Transparent Ribbon Glass

Weight

17.1 kg / 37.7 lb

Light Source

LED Bulb (included) 19 x 4-5 W

Max Wattage 19 x 10 W

Total Lumens 4180 lm

Color Temperature 2200-3000 K

Bulb Base E14 / E12

Power Supply 230/120V CE/UL

Dimmable with electronic dimmers only (ELV, trailing edge)

Finishes

LBB / Lacquered Burnished Brass

BGM / Black Gunmetal

PN / Polished Nickel (extra charge of 25%)

Extension Rods (Included)

1 x 150 mm

1 x 300 mm

1 x 450 mm

1 x 5.9"

1 x 11.8"

1 x 17.7"

Canopy (Vaulted Ceiling Compatible)

Ø 140 mm

H 12 mm

Ø 5.5"

H 0.5"

CE/UL Certified

CE/UL

Ingress Protection

IP 20

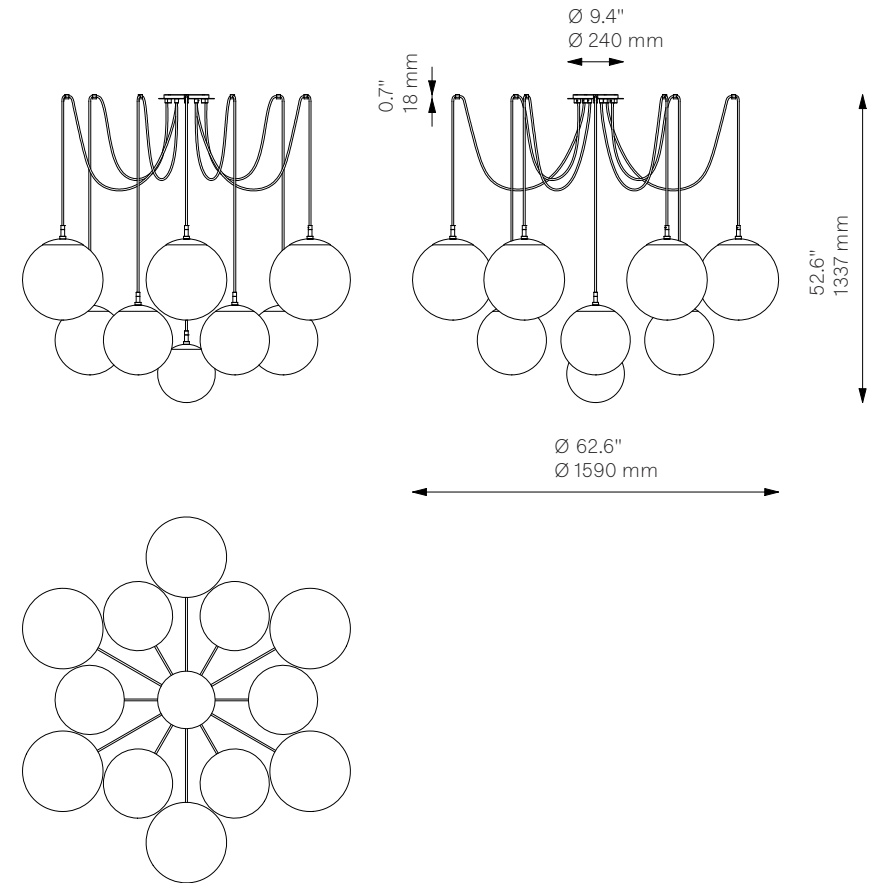


Spider

Chandelier - B568

Globe Collection

Schwung Product Information



Glass Lampshades

6 x Ø 350 mm / Ø 12.8"
 6 x Ø 300 mm / Ø 11.8"
 1 x Ø 250 mm / Ø 9.9"

- ¹ Soda Lime Triplex Opal Matte Glass
- ² Soda Lime Marble Matte Glass
- ³ Borosilicate Transparent Ribbon Glass

Weight

29.1 kg / 64.1 lb

Light Source

| | |
|---------------------|----------------|
| LED Bulb (included) | 13 x 4-5 W |
| Max Wattage | 13 x 10 W |
| Total Lumens | 2860 lm |
| Color Temperature | 2200-3000 K |
| Bulb Base | E14 / E12 |
| Power Supply | 230/120V CE/UL |

Dimmable with electronic dimmers only (ELV, trailing edge)

Finishes

LBB / Lacquered Burnished Brass
 BGM / Black Gunmetal
 PN / Polished Nickel (extra charge of 25%)

Canopy

| | |
|----------|---------|
| Ø 240 mm | H 18 mm |
| Ø 9.4" | H 0.7" |

CE/UL Certified

CE/UL

Ingress Protection

IP 20

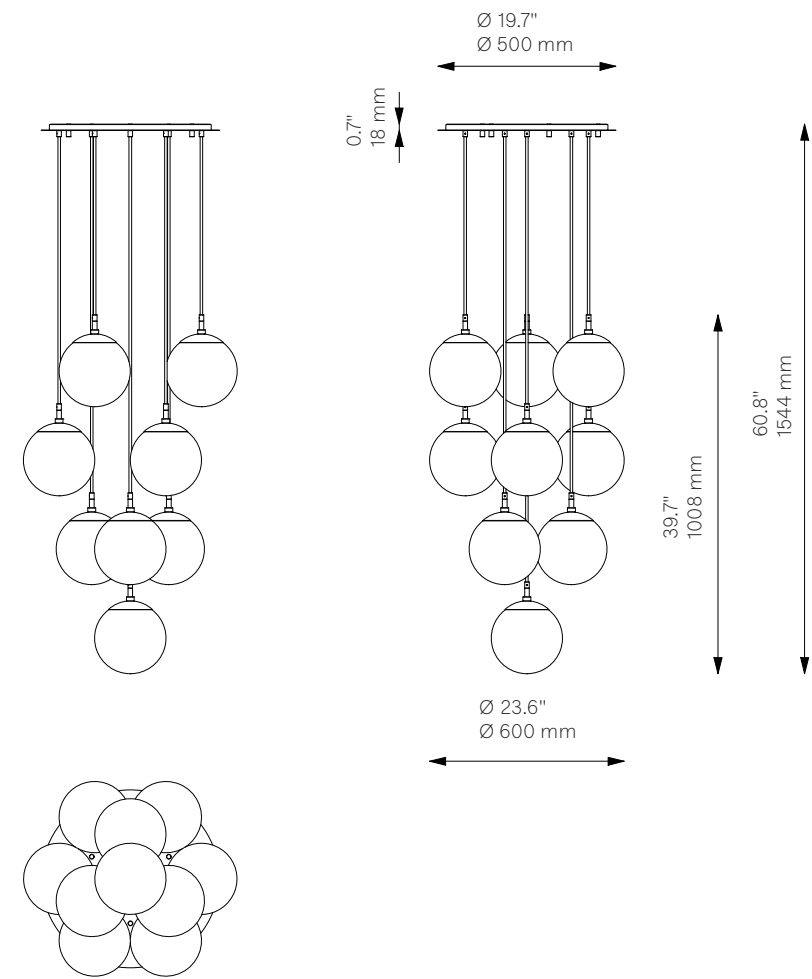


Globe Cluster 10

Chandelier - B533

Globe Collection

Schwung Product Information



Glass Lampshades

10 x Ø 200 mm / Ø 7.9"

- ¹ Soda Lime Triplex Opal Matte Glass
- ² Soda Lime Marble Matte Glass
- ³ Borosilicate Transparent Ribbon Glass

Weight

17.6 kg / 38.8 lb

Light Source

| | |
|---------------------|----------------|
| LED Bulb (included) | 10 x 4-5 W |
| Max Wattage | 10 x 10 W |
| Total Lumens | 2200 lm |
| Color Temperature | 2200-3000 K |
| Bulb Base | E14 / E12 |
| Power Supply | 230/120V CE/UL |

Dimmable with electronic dimmers only (ELV, trailing edge)

Finishes

LBB / Lacquered Burnished Brass
 BGM / Black Gunmetal
 PN / Polished Nickel (extra charge of 25%)

CE/UL Certified

CE/UL

Ingress Protection

IP 20



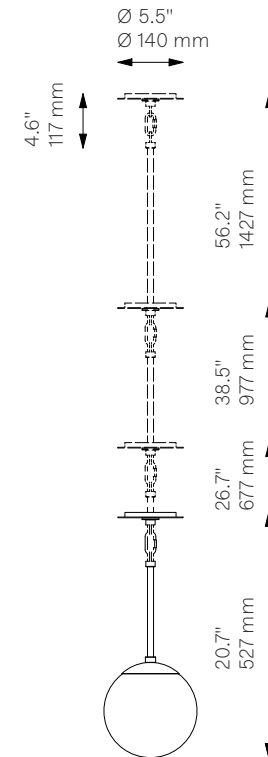
Globe Single

Pendant - B581

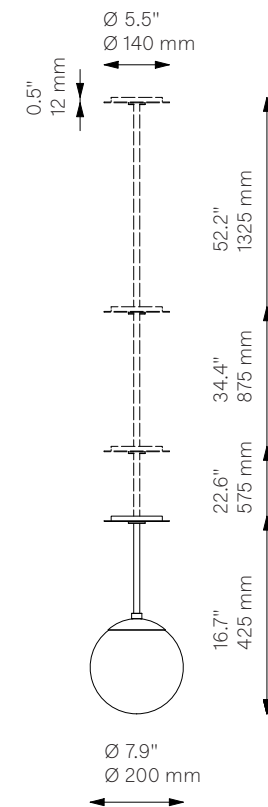
Globe Collection

Schwung Product Information

Vaulted Ceiling Mount



Fixed Mount



Glass Lampshades

1 x Ø 200 mm / Ø 7.9"

¹ Soda Lime Triplex Opal Matte Glass

² Soda Lime Marble Matte Glass

³ Borosilicate Transparent Ribbon Glass

Weight

2.5 kg / 5.5 lb

Light Source

| | |
|---------------------|----------------|
| LED Bulb (included) | 1 x 4-5 W |
| Max Wattage | 1 x 10 W |
| Total Lumens | 220 lm |
| Color Temperature | 2200-3000 K |
| Bulb Base | E14 / E12 |
| Power Supply | 230/120V CE/UL |

Dimmable with electronic dimmers only (ELV, trailing edge)

Finishes

LBB / Lacquered Burnished Brass
 BGM / Black Gunmetal
 PN / Polished Nickel (extra charge of 25%)

Extension Rods (Included)

| | | |
|------------|------------|------------|
| 1 x 150 mm | 1 x 300 mm | 1 x 450 mm |
| 1 x 5.9" | 1 x 11.8" | 1 x 17.7" |

Canopy (Vaulted Ceiling Compatible)

| | |
|----------|---------|
| Ø 140 mm | H 12 mm |
| Ø 5.5" | H 0.5" |

CE/UL Certified

CE/UL

Ingress Protection

IP 20



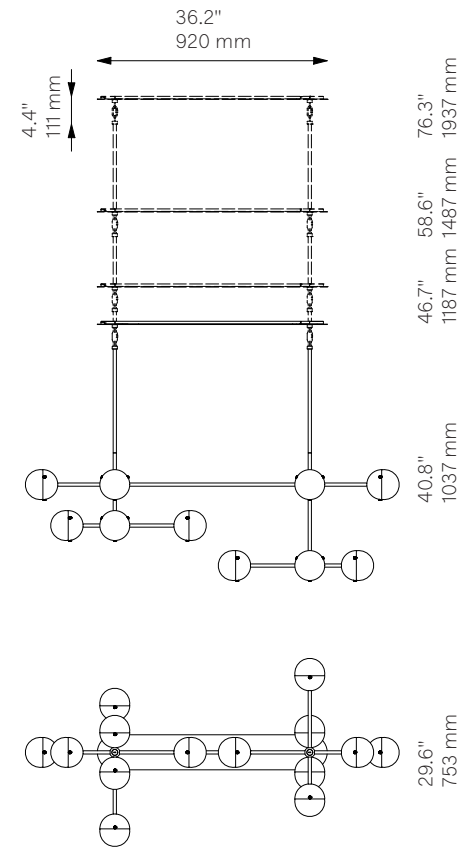
Molecule Linear

Chandelier - B269

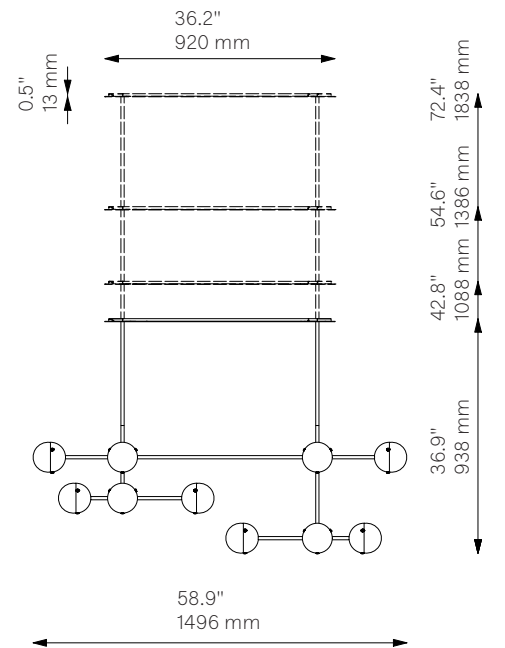
Molecule Collection

Schwung Product Information

Vaulted Ceiling Mount



Fixed Mount



Glass Lampshades

14 x Ø 120 mm / Ø 4.7"

¹ Borosilicate Transparent Glass

² Borosilicate Sandblasted Glass

Weight

21.4 kg / 47.2 lb

Light Source

| | |
|---------------------|----------------|
| LED Bulb (included) | 14 x 3-4 W |
| Max Wattage | 14 x 10 W |
| Total Lumens | 2800 lm |
| Color Temperature | 2000-2800 K |
| Bulb Base | E27 / E26 |
| Power Supply | 230/120V CE/UL |

Dimmable with electronic dimmers only (ELV, trailing edge)

Finishes

LBB / Lacquered Burnished Brass
BGM / Black Gunmetal

Extension Rods (Included)

| | | |
|------------|------------|------------|
| 2 x 150 mm | 2 x 300 mm | 2 x 450 mm |
| 2 x 5.9" | 2 x 11.8" | 2 x 17.7" |

Canopy (Vaulted Ceiling Compatible)

| | | |
|----------|----------|---------|
| W 920 mm | D 140 mm | H 12 mm |
| W 36.2" | D 5.5" | H 0.5" |

CE/UL Certified

CE/UL

Ingress Protection

IP 20



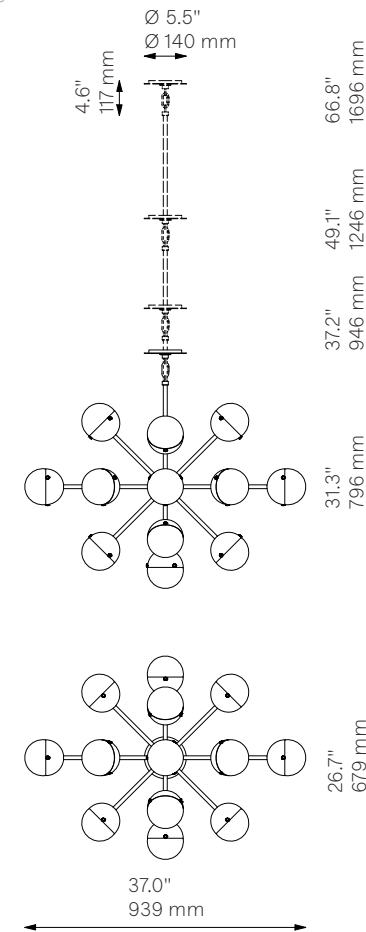
Molecule Spark Oval 17

Chandelier - B218

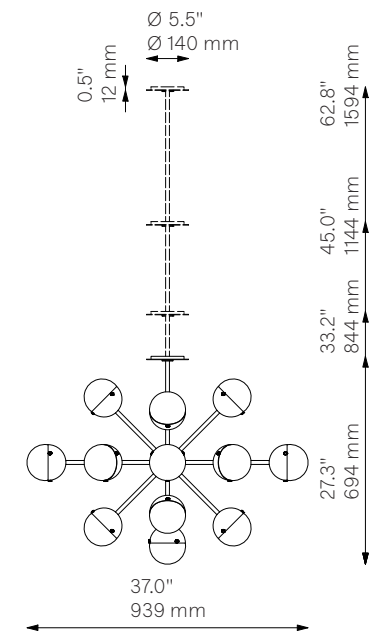
Molecule Collection

Schwung Product Information

Vaulted Ceiling Mount



Fixed Mount



Glass Lampshades

17 x Ø 120 mm / Ø 4.7"

¹ Borosilicate Transparent Glass

² Borosilicate Sandblasted Glass

Weight

16.7 kg / 36.8 lb

Light Source

| | |
|---------------------|----------------|
| LED Bulb (included) | 17 x 3-4 W |
| Max Wattage | 17 x 10 W |
| Total Lumens | 3400 lm |
| Color Temperature | 2000-2800 K |
| Bulb Base | E27 / E26 |
| Power Supply | 230/120V CE/UL |

Dimmable with electronic dimmers only (ELV, trailing edge)

Finishes

LBB / Lacquered Burnished Brass
BGM / Black Gunmetal

Extension Rods (Included)

| | | |
|------------|------------|------------|
| 1 x 150 mm | 1 x 300 mm | 1 x 450 mm |
| 1 x 5.9" | 1 x 11.8" | 1 x 17.7" |

Canopy (Vaulted Ceiling Compatible)

| | |
|----------|---------|
| Ø 140 mm | H 12 mm |
| Ø 5.5" | H 0.5" |

CE/UL Certified

CE/UL

Ingress Protection

IP 20



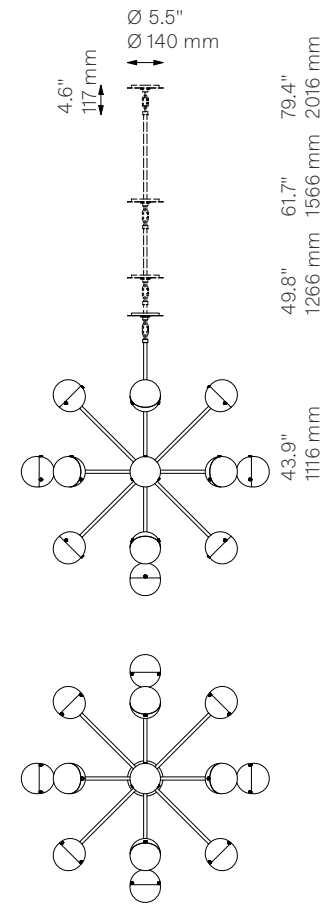
Molecule Spark Round 17

Chandelier - B222

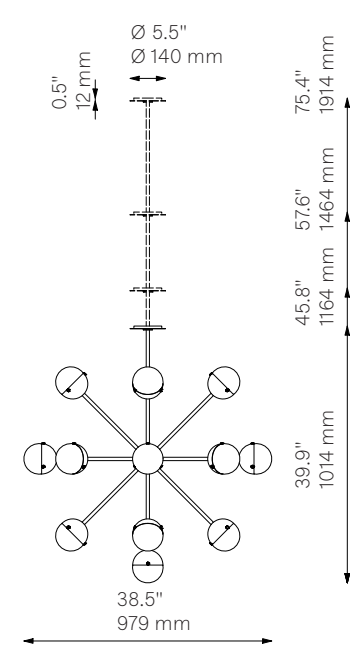
Molecule Collections

Schwung Product Information

Vaulted Ceiling Mount



Fixed Mount



Glass Lampshades

17 x Ø 120 mm / Ø 4.7"

¹ Borosilicate Transparent Glass

² Borosilicate sandblasted Glass

Weight

18.1 kg / 39.9 lb

Light Source

| | |
|---------------------|----------------|
| LED Bulb (included) | 17 x 3-4 W |
| Max Wattage | 17 x 10 W |
| Total Lumens | 3400 lm |
| Color Temperature | 2000-2800 K |
| Bulb Base | E27 / E26 |
| Power Supply | 230/120V CE/UL |

Dimmable with electronic dimmers only (ELV, trailing edge)

Finishes

LBB / Lacquered Burnished Brass
BGM / Black Gunmetal

Extension Rods (Included)

| | | |
|------------|------------|------------|
| 1 x 150 mm | 1 x 300 mm | 1 x 450 mm |
| 1 x 5.9" | 1 x 11.8" | 1 x 17.7" |

Canopy (Vaulted Ceiling Compatible)

| | |
|----------|---------|
| Ø 140 mm | H 12 mm |
| Ø 5.5" | H 0.5" |

CE/UL Certified

CE/UL

Ingress Protection

IP 20



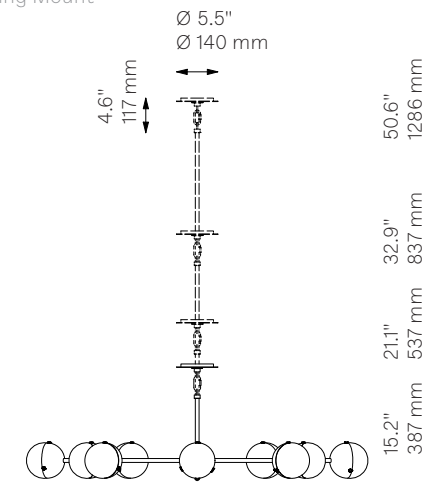
Molecule Spark Round 10

Chandelier - B274

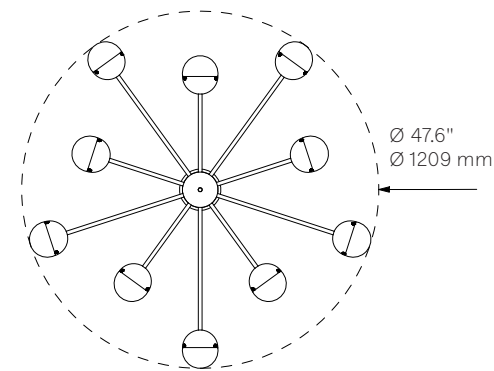
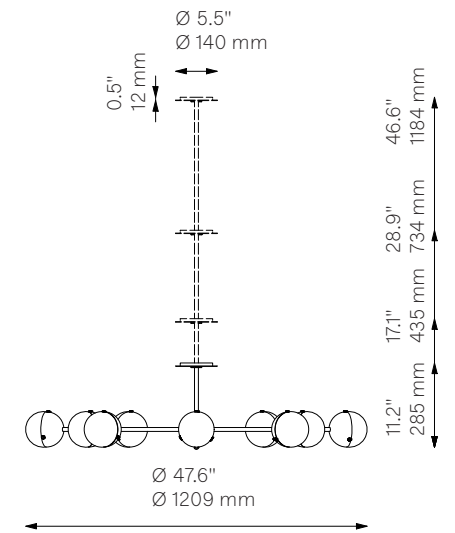
Molecule Collection

Schwung Product Information

Vaulted Ceiling Mount



Fixed Mount



Glass Lampshades

10 x Ø 120 mm / Ø 4.7"
¹ Borosilicate Transparent Glass
² Borosilicate Sandblasted Glass

Weight

12.0 kg / 26.4 lb

Light Source

LED Bulb (included) 10 x 3-4 W
 Max Wattage 10 x 10 W
 Total Lumens 2000 lm
 Color Temperature 2000-2800 K
 Bulb Base E27 / E26
 Power Supply 230/120V CE/UL

Dimmable with electronic dimmers only (ELV, trailing edge)

Finishes

LBB / Lacquered Burnished Brass
 BGM / Black Gunmetal

Extension Rods (Included)

| | | |
|------------|------------|------------|
| 1 x 150 mm | 1 x 300 mm | 1 x 450 mm |
| 1 x 5.9" | 1 x 11.8" | 1 x 17.7" |

Canopy (Vaulted Ceiling Compatible)

| | |
|----------|---------|
| Ø 140 mm | H 12 mm |
| Ø 5.5" | H 0.5" |

CE/UL Certified

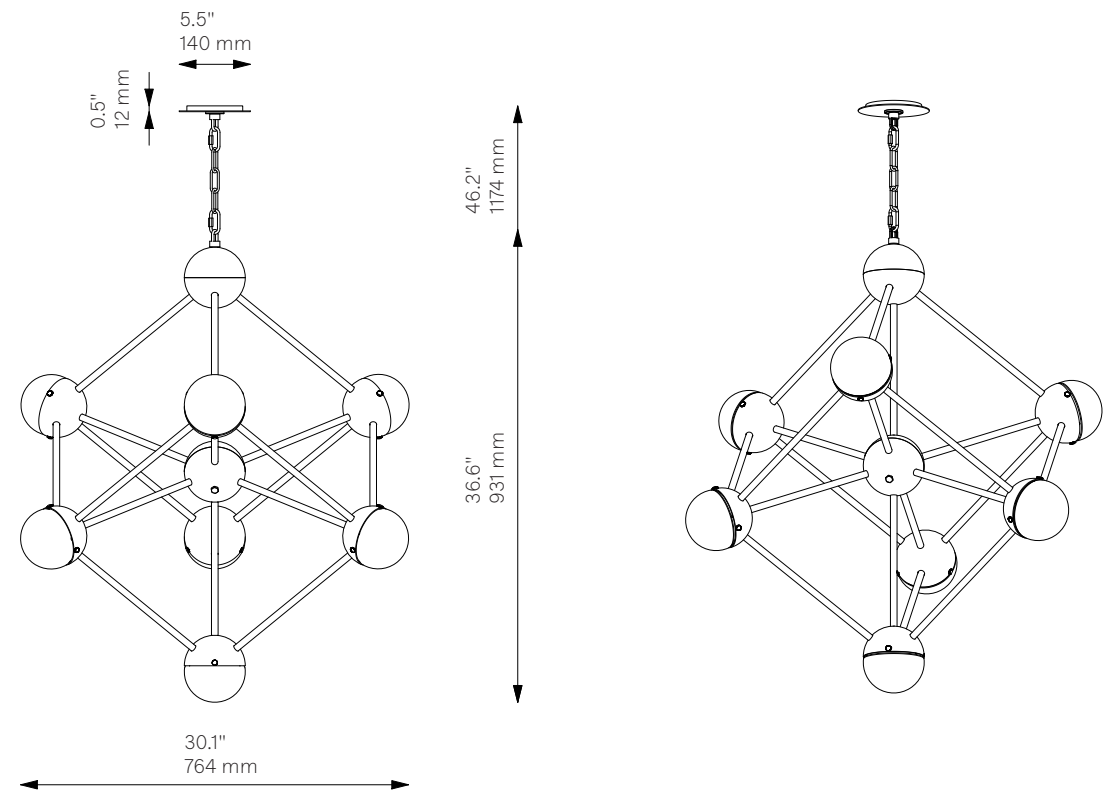
CE/UL

Ingress Protection

IP 20



Schwung Product Information



Glass Lampshades

7 x Ø 120 mm / Ø 4.7"

¹ Borosilicate Transparent Glass

² Borosilicate Sandblasted Glass

Weight

12.6 kg / 28.8 lb

Light Source

LED Bulb (included) 7 x 3-4 W

Max Wattage 7 x 10 W

Total Lumens 1400 lm

Color Temperature 2000-2800 K

Bulb Base E27 / E26

Power Supply 230/120V CE/UL

Dimmable with electronic dimmers only (ELV, trailing edge)

Finishes

LBB / Lacquered Burnished Brass

BGM / Black Gunmetal

Canopy (Vaulted Ceiling Compatible)

Ø 140 mm H 12 mm

Ø 5.5" H 0.5"

CE/UL Certified

CE/UL

Ingress Protection

IP 20

Molecule

Chandelier - B215

Molecule Collection

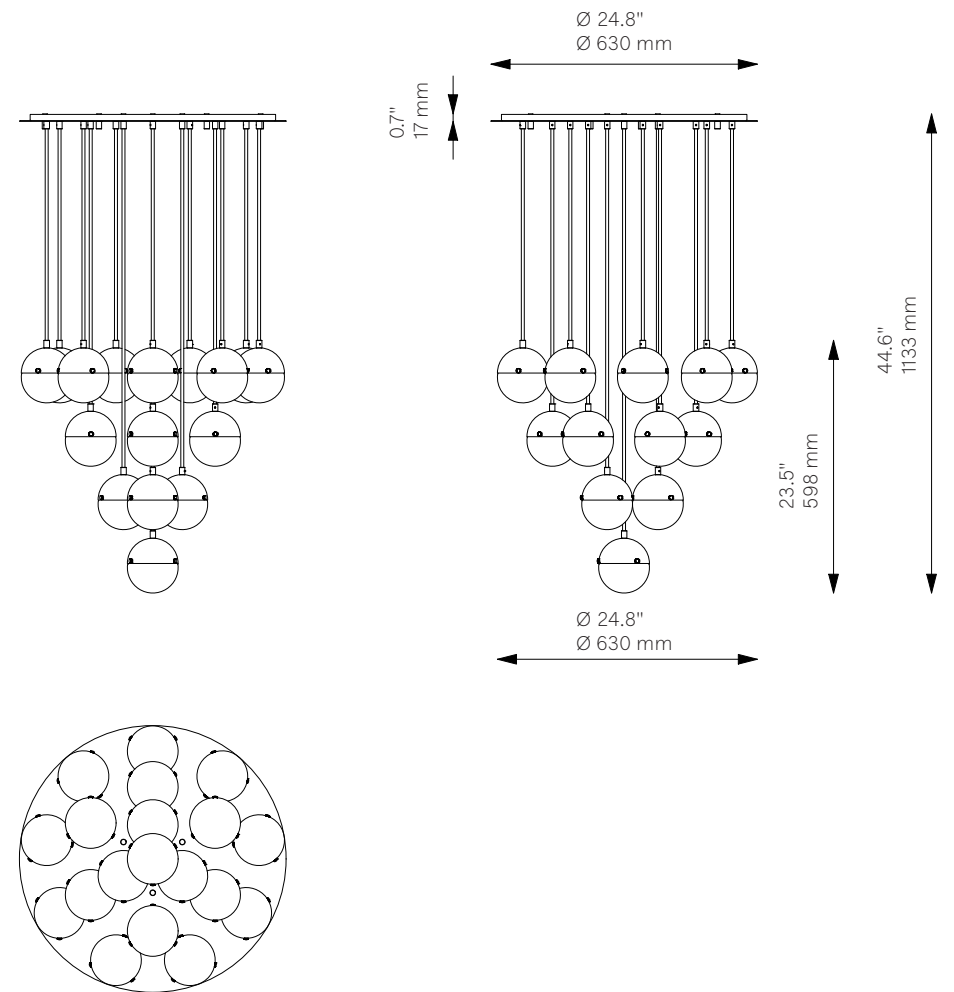


Molecule Cluster 19

Chandelier - B309

Molecule Collection

Schwung Product Information



Glass Lampshades

19 x Ø 120 mm / Ø 4.7"

¹ Borosilicate Transparent Glass

² Borosilicate Sandblasted Glass

Weight

28.0 kg / 61.7 lb

Light Source

| | |
|---------------------|----------------|
| LED Bulb (included) | 19 x 3-4 W |
| Max Wattage | 19 x 10 W |
| Total Lumens | 3800 lm |
| Color Temperature | 2000-2800 K |
| Bulb Base | E27 / E26 |
| Power Supply | 230/120V CE/UL |

Dimmable with electronic dimmers only (ELV, trailing edge)

Finishes

LBB / Lacquered Burnished Brass
BGM / Black Gunmetal

CE/UL Certified

CE/UL

Ingress Protection

IP 20

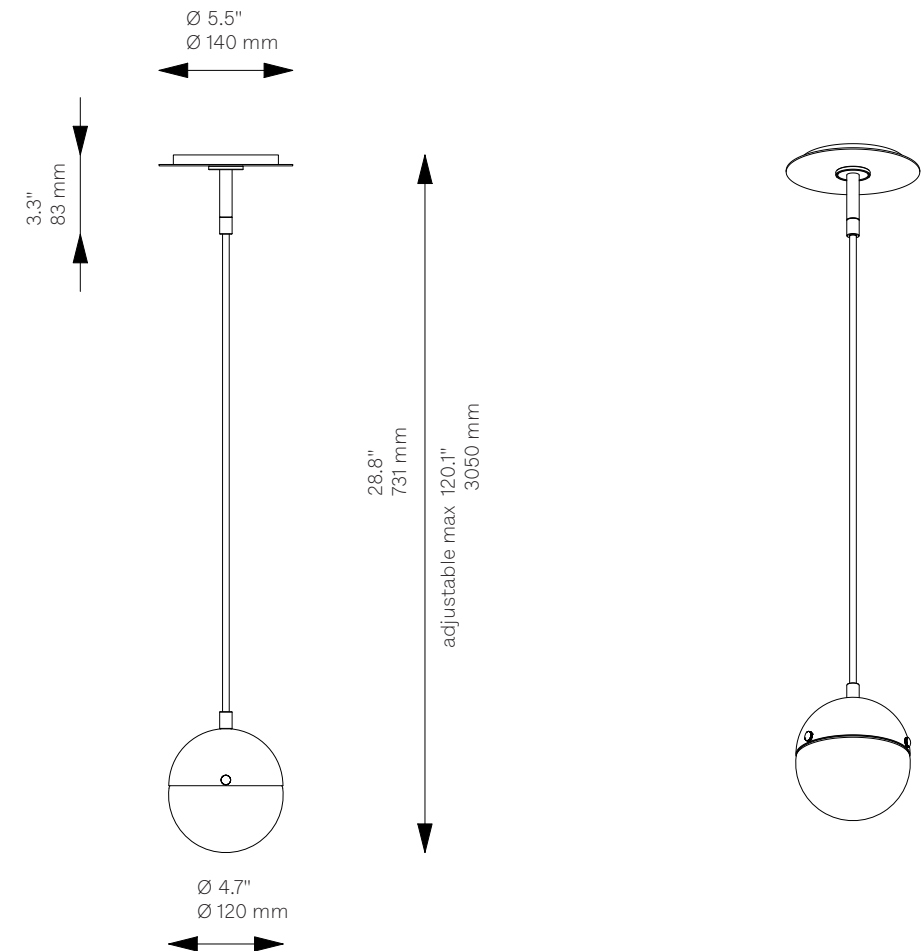


Molecule Single

Pendant - B223

Molecule Collection

Schwung Product Information



| | | |
|--|--|----------------|
| Glass Lampshades | 1 x Ø 120 mm / Ø 4.7" | |
| | ¹ Borosilicate Transparent Glass ² Borosilicate Sandblasted Glass | |
| Weight | 1.5 kg / 3.3 lb | |
| Light Source | LED Bulb (included) | 1 x 3-4 W |
| | Max Wattage | 1 x 10 W |
| | Total Lumens | 200 lm |
| | Color Temperature | 2000-2800 K |
| | Bulb Base | E27 / E26 |
| | Power Supply | 230/120V CE/UL |
| | Dimmable with electronic dimmers only (ELV, trailing edge) | |
| Finishes | LBB / Lacquered Burnished Brass BGM / Black Gunmetal | |
| Canopy (Vaulted Ceiling Compatible) | Ø 140 mm | H 12 mm |
| | Ø 5.5" | H 0.5" |
| CE/UL Certified | CE/UL | |
| Ingress Protection | IP 20 | |

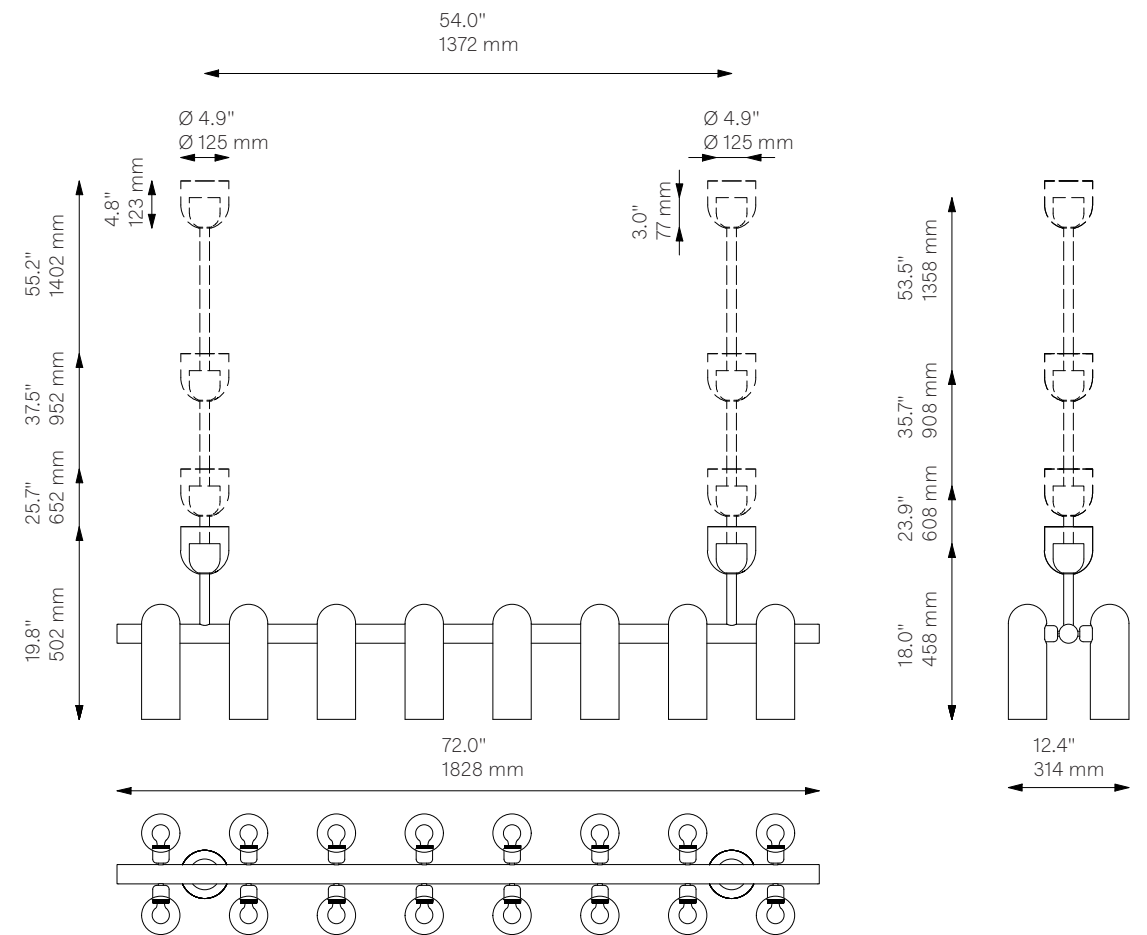


Odyssey Linear LG

Chandelier - B158

Odyssey Collection

Schwung Product Information



| | | | |
|----------------------------------|---|------------------------------|-------------------------|
| Glass Lampshades | 16 x Ø 100 mm x H 300 mm / Ø 3.9" x H 11.8" Triplex Opal Glass (acid etch on the outside) | | |
| Weight | 27.0 kg / 59.5 lb | | |
| Light Source | LED Bulb (included) | 16 x 4 W | |
| | Max Wattage | 16 x 15 W | |
| | Total Lumens | 3520 lm | |
| | Color Temperature | 2200-3000 K | |
| | Bulb Base | E14 / E12 | |
| | Bulb Size | G45, max length 80 mm / 3.2" | |
| | Power Supply | 230/120V CE/UL | |
| | Dimmable with electronic dimmers only (ELV, trailing edge) | | |
| Finishes | LBB / Lacquered Burnished Brass BGM / Black Gunmetal PN / Polished Nickel (extra charge of 25%) | | |
| Extension Rods (Included) | 2 x 150 mm 2 x 5.9" | 2 x 300 mm 2 x 11.8" | 2 x 450 mm 2 x 17.7" |
| CE/UL Certified | CE/UL | | |
| Ingress Protection | IP 20 | | |

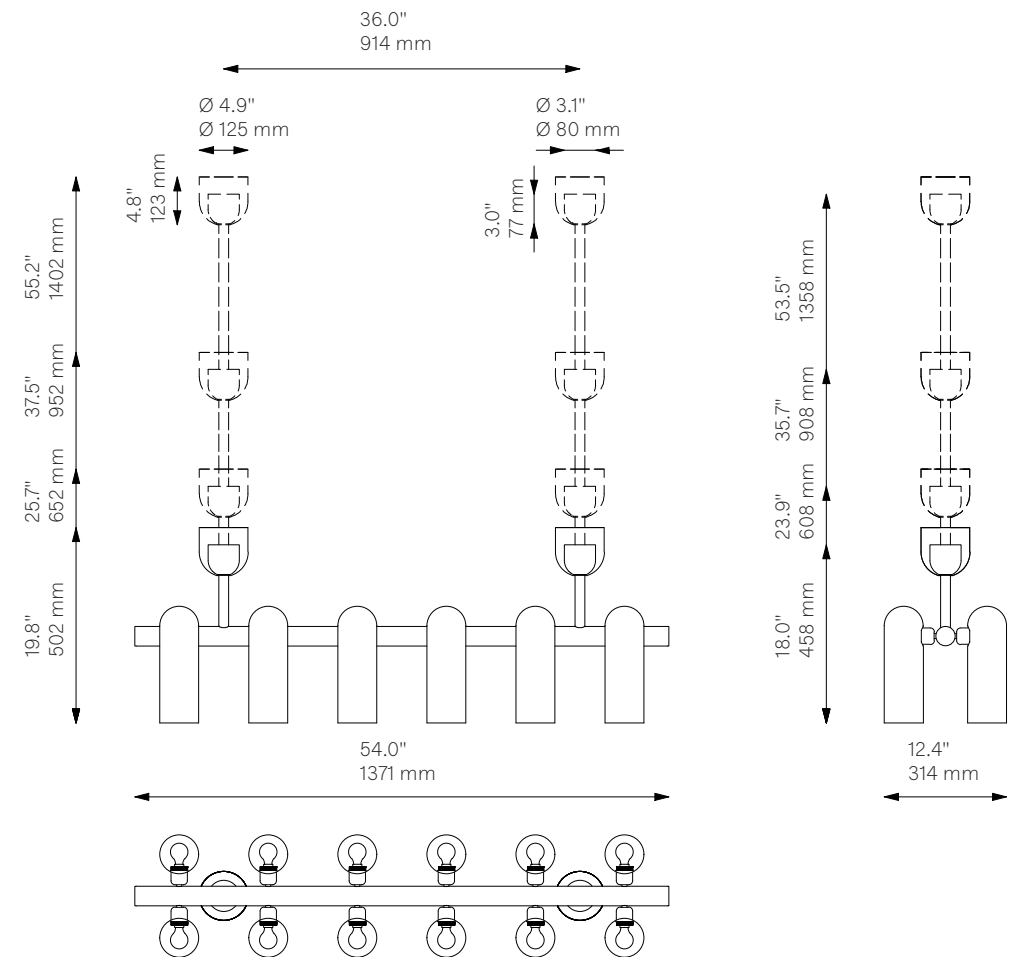


Odyssey Linear MD

Chandelier - B157

Odyssey Collection

Schwung Product Information



| | | | |
|----------------------------------|---|------------------------------|-------------------------|
| Glass Lampshades | 12 x Ø 100 mm x H 300 mm / Ø 3.9" x H 11.8" Triplex Opal Glass (acid etch on the outside) | | |
| Weight | 20.3 kg / 44.8 lb | | |
| Light Source | LED Bulb (included) | 12 x 4 W | |
| | Max Wattage | 12 x 15 W | |
| | Total Lumens | 2640 lm | |
| | Color Temperature | 2200-3000 K | |
| | Bulb Base | E14 / E12 | |
| | Bulb Size | G45, max length 80 mm / 3.2" | |
| | Power Supply | 230/120V CE/UL | |
| | Dimmable with electronic dimmers only (ELV, trailing edge) | | |
| Finishes | LBB / Lacquered Burnished Brass BGM / Black Gunmetal PN / Polished Nickel (extra charge of 25%) | | |
| Extension Rods (Included) | 2 x 150 mm 2 x 5.9" | 2 x 300 mm 2 x 11.8" | 2 x 450 mm 2 x 17.7" |
| CE/UL Certified | CE/UL | | |
| Ingress Protection | IP 20 | | |

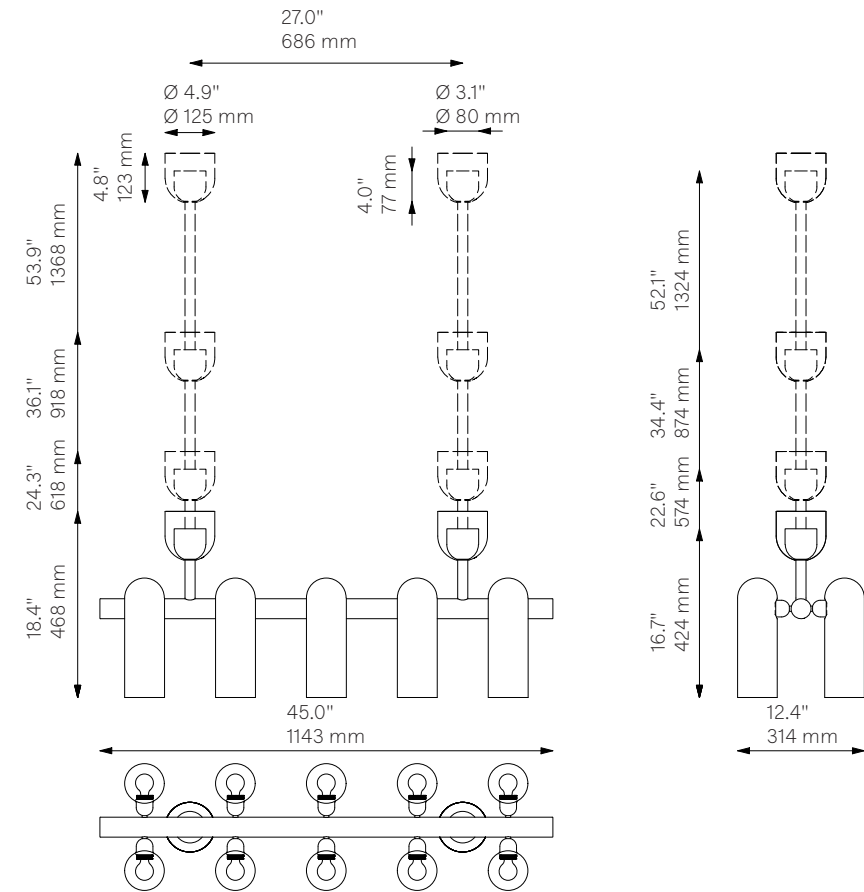


Odyssey Linear SM

Chandelier - B144

Odyssey Collection

Schwung Product Information



| | | | |
|----------------------------------|---|------------------------------|-------------------------|
| Glass Lampshades | 10 x Ø 100 mm x H 300 mm / Ø 3.9" x H 11.8" Triplex Opal Glass (acid etch on the outside) | | |
| Weight | 17.6 kg / 38.8 lb | | |
| Light Source | LED Bulb (included) | 10 x 4 W | |
| | Max Wattage | 10 x 15 W | |
| | Total Lumens | 2200 lm | |
| | Color Temperature | 2200-3000 K | |
| | Bulb Base | E14 / E12 | |
| | Bulb Size | G45, max length 80 mm / 3.2" | |
| | Power Supply | 230/120V CE/UL | |
| | Dimmable with electronic dimmers only (ELV, trailing edge) | | |
| Finishes | LBB / Lacquered Burnished Brass BGM / Black Gunmetal PN / Polished Nickel (extra charge of 25%) | | |
| Extension Rods (Included) | 2 x 150 mm 2 x 5.9" | 2 x 300 mm 2 x 11.8" | 2 x 450 mm 2 x 17.7" |
| CE/UL Certified | CE/UL | | |
| Ingress Protection | IP 20 | | |

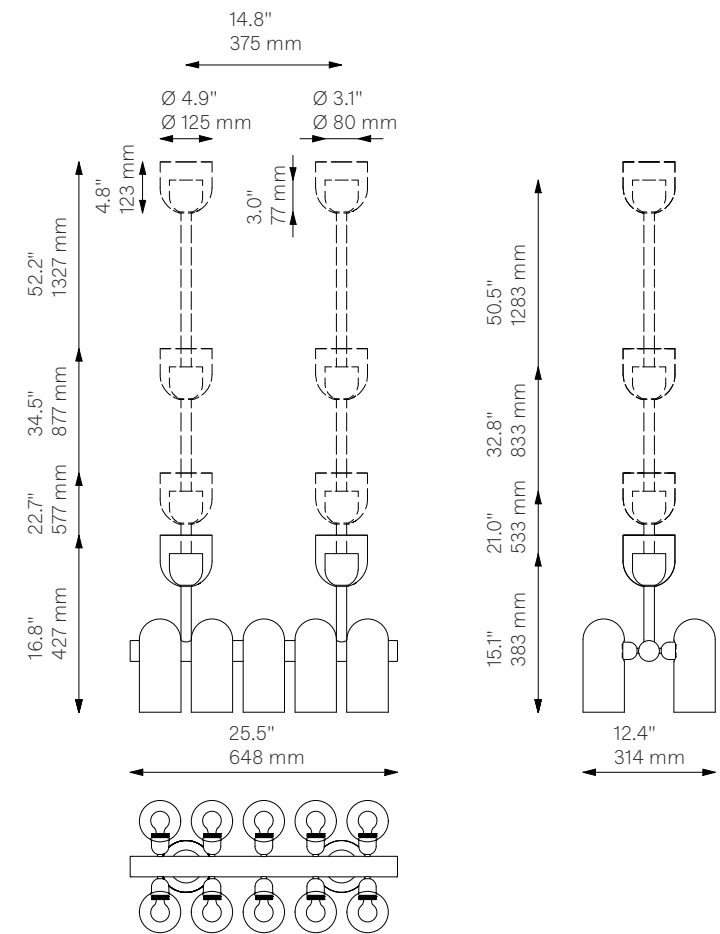


Odyssey Linear XS

Chandelier - B143

Odyssey Collection

Schwung Product Information



| | | | |
|----------------------------------|---|------------------------------|-------------------------|
| Glass Lampshades | 10 x Ø 100 mm x H 225 mm / Ø 3.9" x H 8.9" Triplex Opal Glass (acid etch on the outside) | | |
| Weight | 15.0 kg / 33.07 lb | | |
| Light Source | LED Bulb (included) | 10 x 4 W | |
| | Max Wattage | 10 x 15 W | |
| | Total Lumens | 2200 lm | |
| | Color Temperature | 2200-3000 K | |
| | Bulb Base | E14 / E12 | |
| | Bulb Size | G45, max length 80 mm / 3.2" | |
| | Power Supply | 230/120V CE/UL | |
| | Dimmable with electronic dimmers only (ELV, trailing edge) | | |
| Finishes | LBB / Lacquered Burnished Brass BGM / Black Gunmetal PN / Polished Nickel (extra charge of 25%) | | |
| Extension Rods (Included) | 2 x 150 mm 2 x 5.9" | 2 x 300 mm 2 x 11.8" | 2 x 450 mm 2 x 17.7" |
| CE/UL Certified | CE/UL | | |
| Ingress Protection | IP 20 | | |

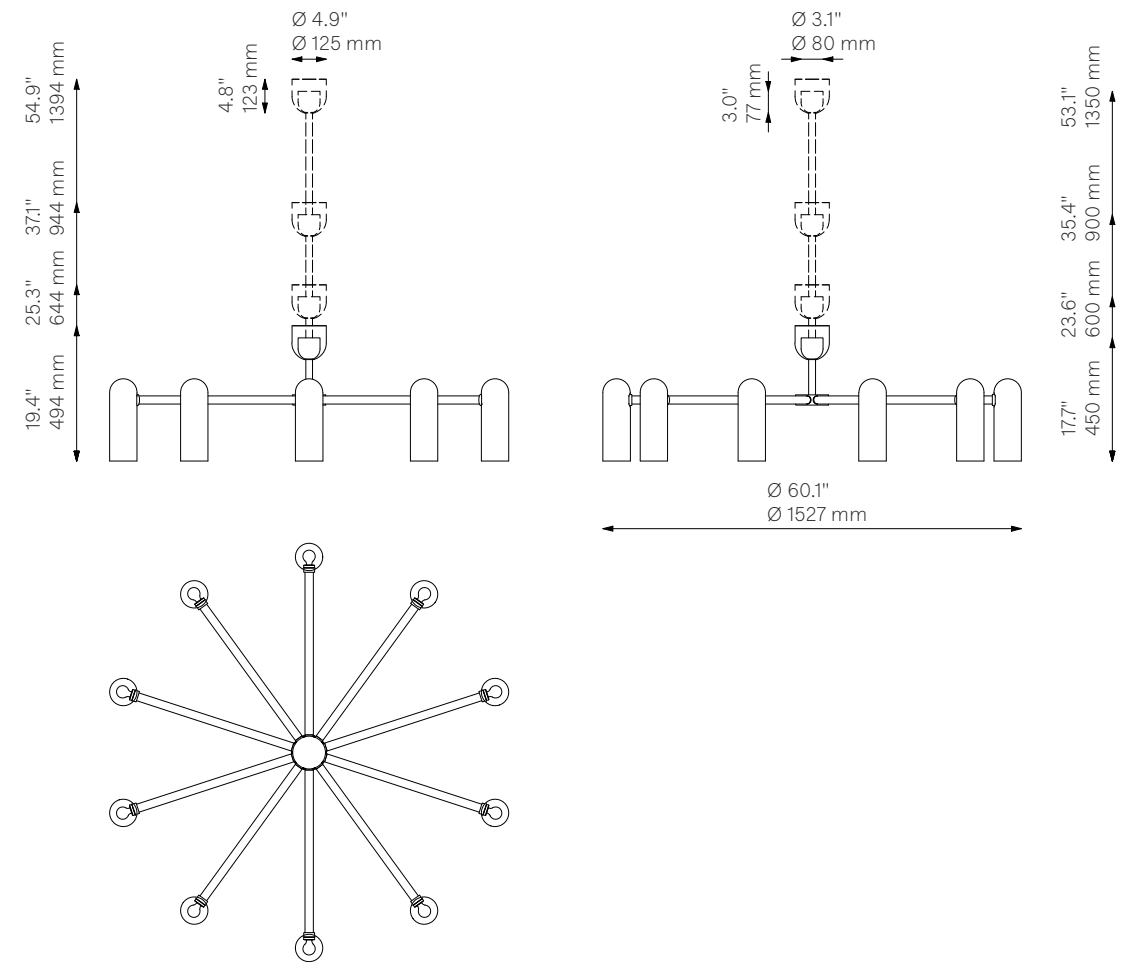


Odyssey Round LG

Chandelier - B156

Odyssey Collection

Schwung Product Information



| | | | |
|----------------------------------|---|------------------------------|-------------------------|
| Glass Lampshades | 10 x Ø 100 mm x H 300 mm / Ø 3.9" x H 11.8" Triplex Opal Glass (acid etch on the outside) | | |
| Weight | 21.1 kg / 46.5 lb | | |
| Light Source | LED Bulb (included) | 10 x 4 W | |
| | Max Wattage | 10 x 15 W | |
| | Total Lumens | 2200 lm | |
| | Color Temperature | 2200- 3000 K | |
| | Bulb Base | E14 / E12 | |
| | Bulb Size | G45, max length 80 mm / 3.2" | |
| | Power Supply | 230/120V CE/UL | |
| | Dimmable with electronic dimmers only (ELV, trailing edge) | | |
| Finishes | LBB / Lacquered Burnished Brass BGM / Black Gunmetal PN / Polished Nickel (extra charge of 25%) | | |
| Extension Rods (Included) | 1 x 150 mm 1 x 5.9" | 1 x 300 mm 1 x 11.8" | 1 x 450 mm 1 x 17.7" |
| CE/UL Certified | CE/UL | | |
| Ingress Protection | IP 20 | | |

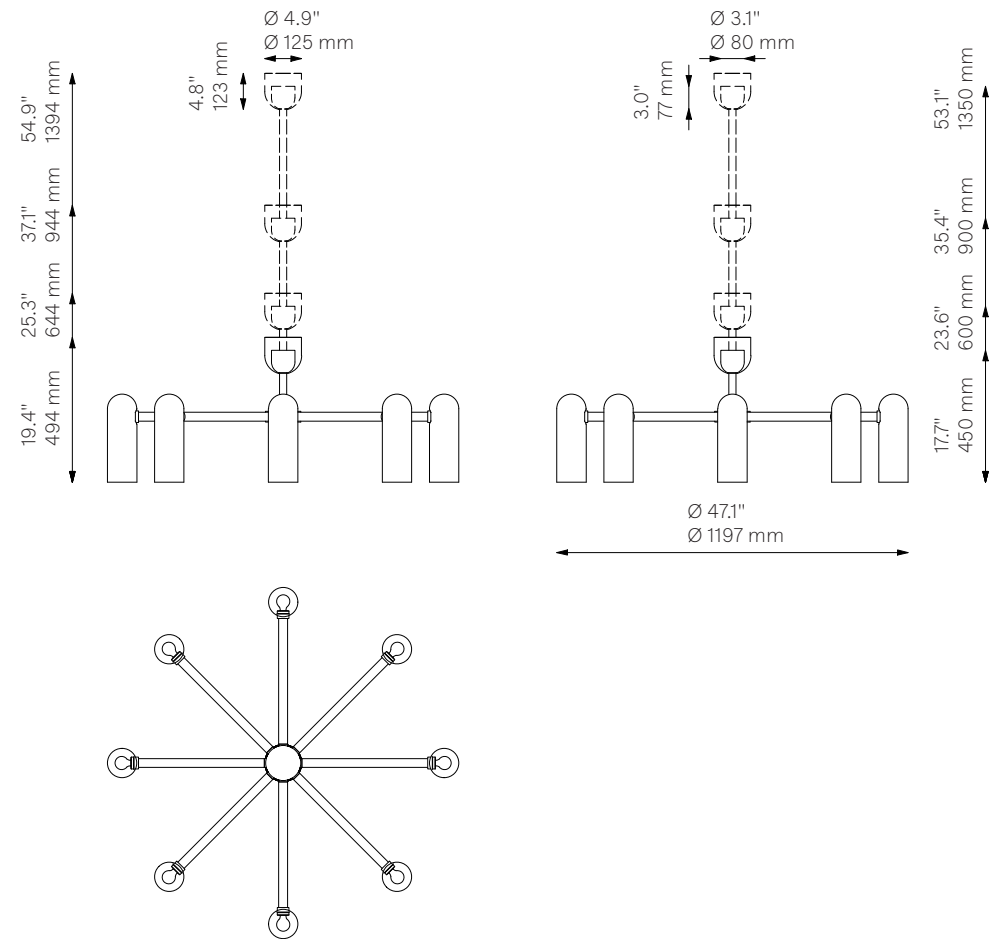


Odyssey Round MD

Chandelier - B155

Odyssey Collection

Schwung Product Information



| | | | |
|----------------------------------|---|------------------------------|-------------------------|
| Glass Lampshades | 8 x Ø 100 mm x H 300 mm / Ø 3.9" x H 11.8" Triplex Opal Glass (acid etch on the outside) | | |
| Weight | 15.6 kg / 34.4 lb | | |
| Light Source | LED Bulb (included) | 8 x 4 W | |
| | Max Wattage | 8 x 15 W | |
| | Total Lumens | 1760 lm | |
| | Color Temperature | 2200-3000 K | |
| | Bulb Base | E14 / E12 | |
| | Bulb Size | G45, max length 80 mm / 3.2" | |
| | Power Supply | 230/120V CE/UL | |
| | Dimmable with electronic dimmers only (ELV, trailing edge) | | |
| Finishes | LBB / Lacquered Burnished Brass BGM / Black Gunmetal PN / Polished Nickel (extra charge of 25%) | | |
| Extension Rods (Included) | 1 x 150 mm 1 x 5.9" | 1 x 300 mm 1 x 11.8" | 1 x 450 mm 1 x 17.7" |
| CE/UL Certified | CE/UL | | |
| Ingress Protection | IP 20 | | |

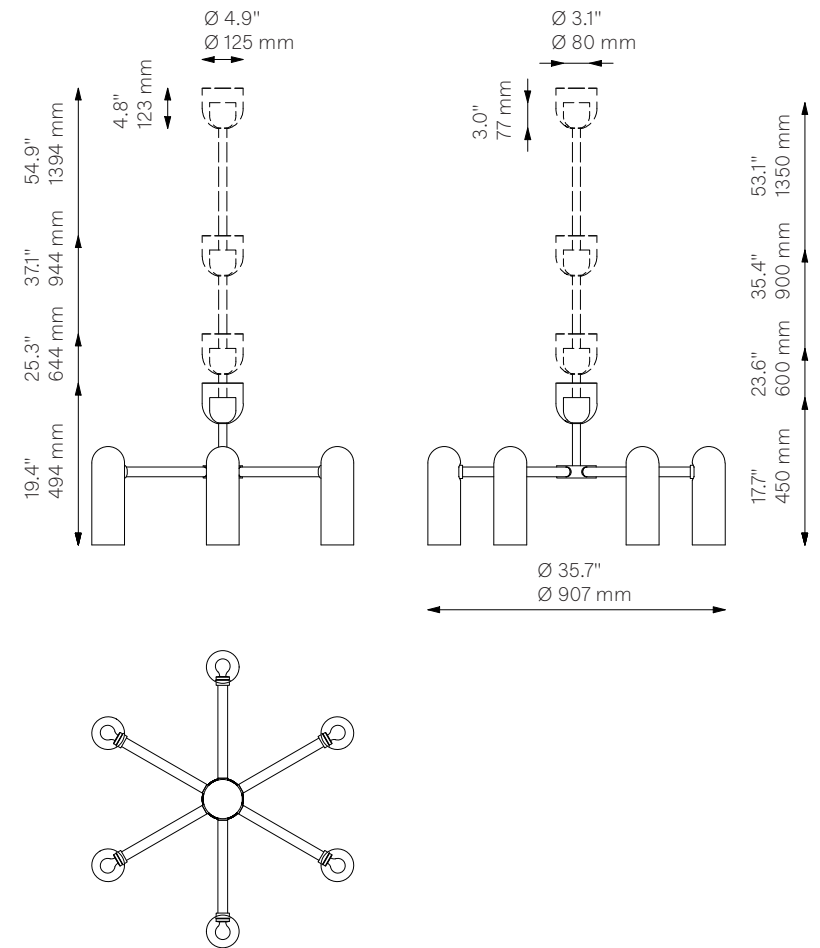


Odyssey Round SM

Chandelier - B154

Odyssey Collection

Schwung Product Information



| | | | |
|----------------------------------|--|------------------------------|-------------------------|
| Glass Lampshades | 6 x $\text{Ø } 100 \text{ mm}$ x H 300 mm / $\text{Ø } 3.9''$ x H 11.8" Triplex Opal Glass (acid etch on the outside) | | |
| Weight | 11.8 kg / 26.0 lb | | |
| Light Source | LED Bulb (included) | 6 x 4 W | |
| | Max Wattage | 6 x 15 W | |
| | Total Lumens | 1320 lm | |
| | Color Temperature | 2200-3000 K | |
| | Bulb Base | E14 / E12 | |
| | Bulb Size | G45, max length 80 mm / 3.2" | |
| | Power Supply | 230/120V CE/UL | |
| | Dimmable with electronic dimmers only (ELV, trailing edge) | | |
| Finishes | LBB / Lacquered Burnished Brass BGM / Black Gunmetal PN / Polished Nickel (extra charge of 25%) | | |
| Extension Rods (Included) | 1 x 150 mm 1 x 5.9" | 1 x 300 mm 1 x 11.8" | 1 x 450 mm 1 x 17.7" |
| CE/UL Certified | CE/UL | | |
| Ingress Protection | IP 20 | | |

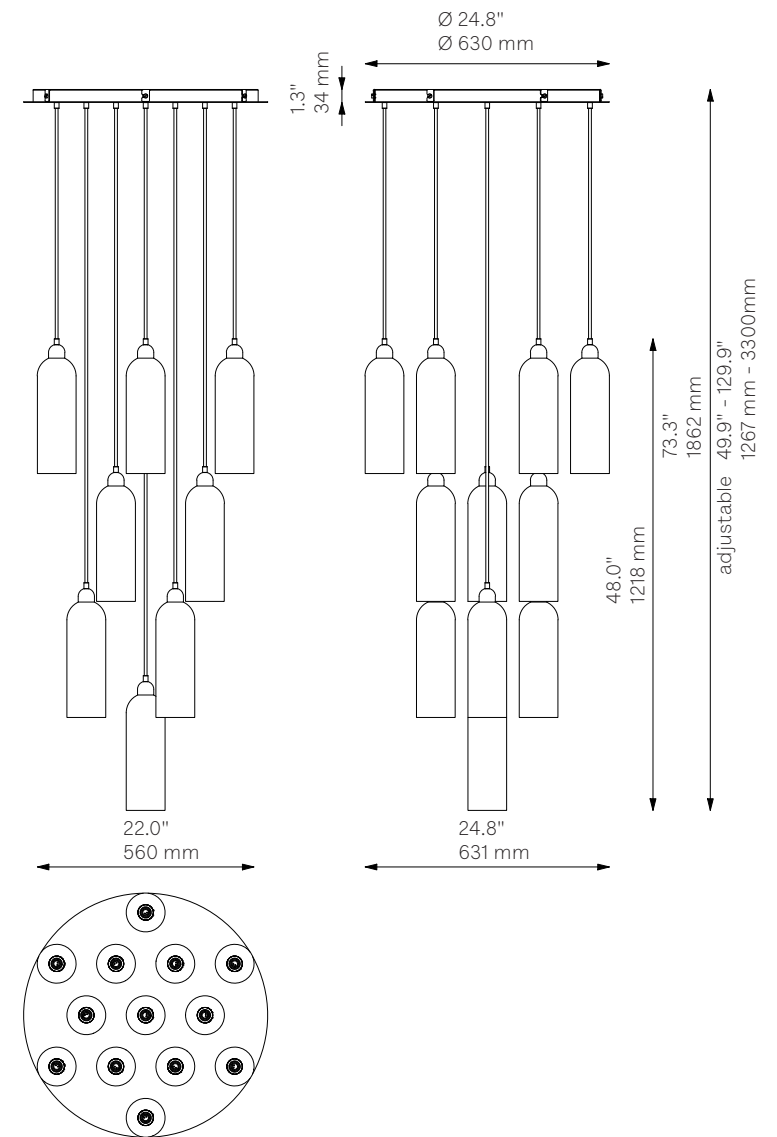


Odyssey Cluster 13

Chandelier - B160

Odyssey Collection

Schwung Product Information



| | | |
|---------------------------|--|----------------|
| Glass Lampshades | 13 x $\text{Ø } 100 \text{ mm}$ x H 300 mm / $\text{Ø } 3.9''$ x H $11.8''$ Triplex Opal Glass (acid etch on the outside) | |
| Weight | 31.2 kg / 68.8 lb | |
| Light Source | LED Bulb (included) | 13 x 4 W |
| | Max Wattage | 13 x 15 W |
| | Total Lumens | 2860 lm |
| | Color Temperature | 2200-3000 K |
| | Bulb Base | E14 / E12 |
| | Power Supply | 230/120V CE/UL |
| | Dimmable with electronic dimmers only (ELV, trailing edge) | |
| Finishes | LBB / Lacquered Burnished Brass BGM / Black Gunmetal PN / Polished Nickel (extra charge of 25%) | |
| CE/UL Certified | CE/UL | |
| Ingress Protection | IP 20 | |

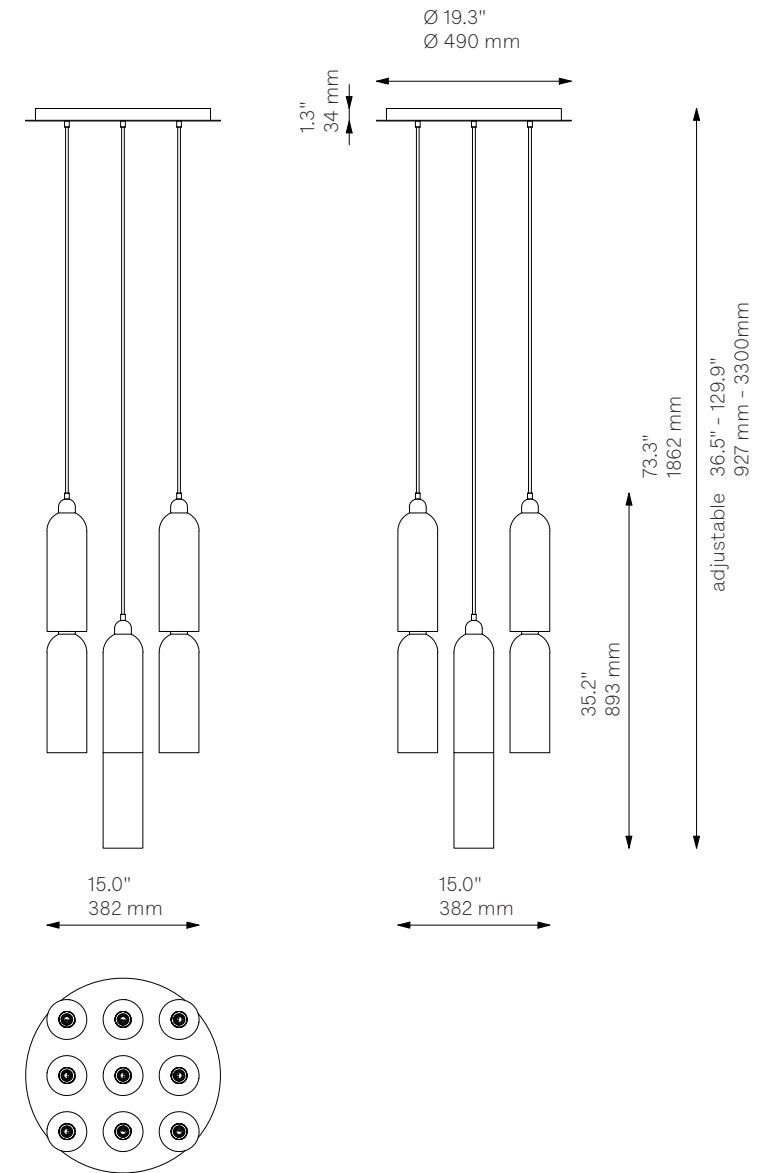


Odyssey Cluster 9

Chandelier - B159

Odyssey Collection

Schwung Product Information



| | | |
|---------------------------|---|----------------|
| Glass Lampshades | 9 x $\varnothing 100 \text{ mm}$ x H 300 mm / $\varnothing 3.9"$ x H $11.8"$ Triplex Opal Glass (acid etch on the outside) | |
| Weight | 20.7 kg / 45.6 lb | |
| Light Source | LED Bulb (included) | 9 x 4 W |
| | Max Wattage | 9 x 15 W |
| | Total Lumens | 1980 lm |
| | Color Temperature | 2200-3000 K |
| | Bulb Base | E14 / E12 |
| | Power Supply | 230/120V CE/UL |
| | Dimmable with electronic dimmers only (ELV, trailing edge) | |
| Finishes | LBB / Lacquered Burnished Brass BGM / Black Gunmetal PN / Polished Nickel (extra charge of 25%) | |
| CE/UL Certified | CE/UL | |
| Ingress Protection | IP 20 | |

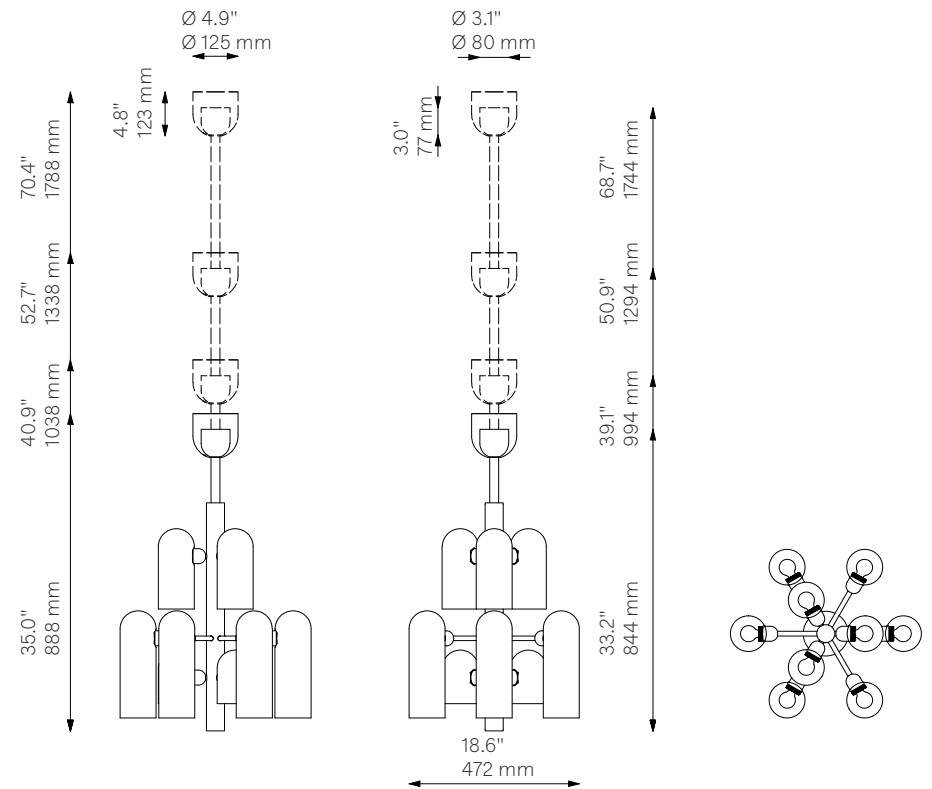


Odyssey 12

Pendant - B667

Odyssey Collection

Schwung Product Information



| | |
|-------------------------|---|
| Glass Lampshades | 3 x Ø 100 mm x H 150 mm / Ø 3.9" x H 5.9" |
| | 3 x Ø 100 mm x H 225 mm / Ø 3.9" x H 8.9" |
| | 6 x Ø 100 mm x H 300 mm / Ø 3.9" x H 11.8" |
| | Triplex Opal Glass (acid etch on the outside) |

| | |
|---------------|-------------------|
| Weight | 11.5 kg / 25.4 lb |
|---------------|-------------------|

| | | |
|---------------------|---------------------|------------------------------|
| Light Source | LED Bulb (included) | 12 x 4 W |
| | Max Wattage | 12 x 15 W |
| | Total Lumens | 2640 lm |
| | Color Temperature | 2200-3000 K |
| | Bulb Size | G45, max length 80 mm / 3.2" |
| | Bulb Base | E14 / E12 |
| | Power Supply | 230/120V CE/UL |

Dimmable with electronic dimmers only (ELV, trailing edge)

| | |
|-----------------|--|
| Finishes | LBB / Lacquered Burnished Brass |
| | BGM / Black Gunmetal |
| | PN / Polished Nickel (extra charge of 25%) |

| | | | |
|----------------------------------|------------|------------|------------|
| Extension Rods (Included) | 1 x 150 mm | 1 x 300 mm | 1 x 450 mm |
| | 1 x 5.9" | 1 x 11.8" | 1 x 17.7" |

| | |
|------------------------|---------|
| CE/UL Certified | CE / UL |
|------------------------|---------|

| | |
|---------------------------|-------|
| Ingress Protection | IP 20 |
|---------------------------|-------|

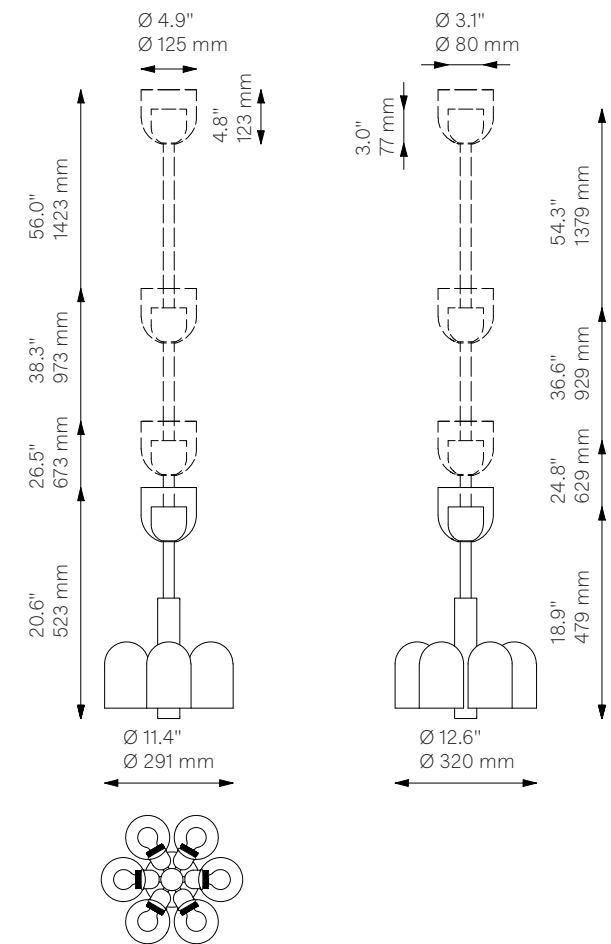


Odyssey 6

Pendant - B142

Odyssey Collection

Schwung Product Information



| | | | |
|----------------------------------|---|------------------------------|-------------------------|
| Glass Lampshades | 6 x Ø 100 mm x H 150 mm / Ø 3.9" x H 5.9" Triplex Opal Glass (acid etch on the outside) | | |
| Weight | 7.8 kg / 17.2 lb | | |
| Light Source | LED Bulb (included) | 6 x 4 W | |
| | Max Wattage | 6 x 15 W | |
| | Total Lumens | 1320 lm | |
| | Color Temperature | 2200-3000 K | |
| | Bulb Base | E14 / E12 | |
| | Bulb Size | G45, max length 80 mm / 3.2" | |
| | Power Supply | 230/120V CE/UL | |
| | Dimmable with electronic dimmers only (ELV, trailing edge) | | |
| Finishes | LBB / Lacquered Burnished Brass BGM / Black Gunmetal PN / Polished Nickel (extra charge of 25%) | | |
| Extension Rods (Included) | 1 x 150 mm 1 x 5.9" | 1 x 300 mm 1 x 11.8" | 1 x 450 mm 1 x 17.7" |
| CE/UL Certified | CE/UL | | |
| Ingress Protection | IP 20 | | |

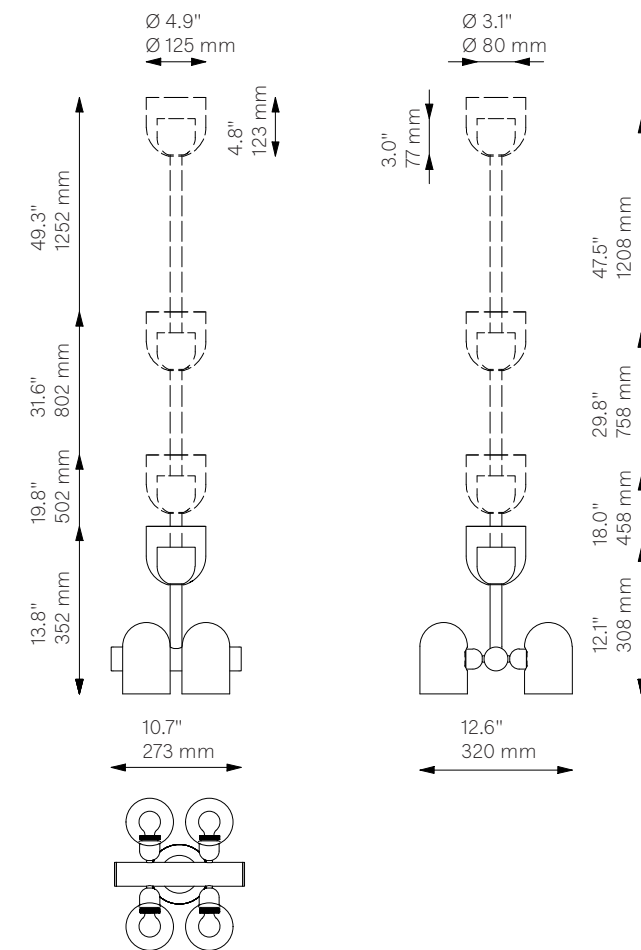


Odyssey 4

Pendant - B141

Odyssey Collection

Schwung Product Information



| | | | |
|----------------------------------|--|---|--------------------------------------|
| Glass Lampshades | 4 x $\text{Ø } 100 \text{ mm}$ x H 150 mm / $\text{Ø } 3.9''$ x H $5.9''$ Triplex Opal Glass (acid etch on the outside) | | |
| Weight | 5.8 kg / 12.8 lb | | |
| Light Source | LED Bulb (included) | 4 x 4 W | |
| | Max Wattage | 4 x 15 W | |
| | Total Lumens | 880 lm | |
| | Color Temperature | 2200-3000 K | |
| | Bulb Base | E14 / E12 | |
| | Bulb Size | G45, max length 80 mm / $3.2''$ | |
| | Power Supply | 230/120V CE/UL | |
| | Dimmable with electronic dimmers only (ELV, trailing edge) | | |
| Finishes | LBB / Lacquered Burnished Brass BGM / Black Gunmetal PN / Polished Nickel (extra charge of 25%) | | |
| Extension Rods (Included) | 1 x 150 mm 1 x $5.9''$ | 1 x 300 mm 1 x $11.8''$ | 1 x 450 mm 1 x $17.7''$ |
| CE/UL Certified | CE/UL | | |
| Ingress Protection | IP 20 | | |

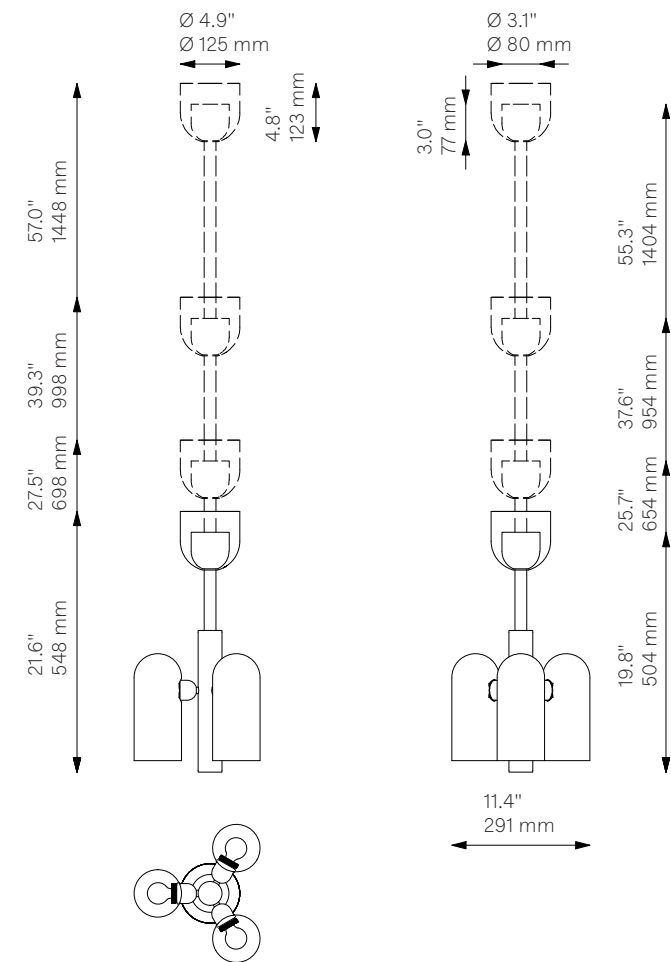


Odyssey 3

Pendant - B140

Odyssey Collection

Schwung Product Information



| | | | |
|----------------------------------|---|------------------------------|-------------------------|
| Glass Lampshades | 3 x Ø 100 mm x H 225 mm / Ø 3.9" x H 8.9" Triplex Opal Glass (acid etch on the outside) | | |
| Weight | 6.2 kg / 13.6 lb | | |
| Light Source | LED Bulb (included) | 3 x 4 W | |
| | Max Wattage | 3 x 15 W | |
| | Total Lumens | 660 lm | |
| | Color Temperature | 2200-3000 K | |
| | Bulb Base | E14 / E12 | |
| | Bulb Size | G45, max length 80 mm / 3.2" | |
| | Power Supply | 230/120V CE/UL | |
| | Dimmable with electronic dimmers only (ELV, trailing edge) | | |
| Finishes | LBB / Lacquered Burnished Brass BGM / Black Gunmetal PN / Polished Nickel (extra charge of 25%) | | |
| Extension Rods (Included) | 1 x 150 mm 1 x 5.9" | 1 x 300 mm 1 x 11.8" | 1 x 450 mm 1 x 17.7" |
| CE/UL Certified | CE/UL | | |
| Ingress Protection | IP 20 | | |

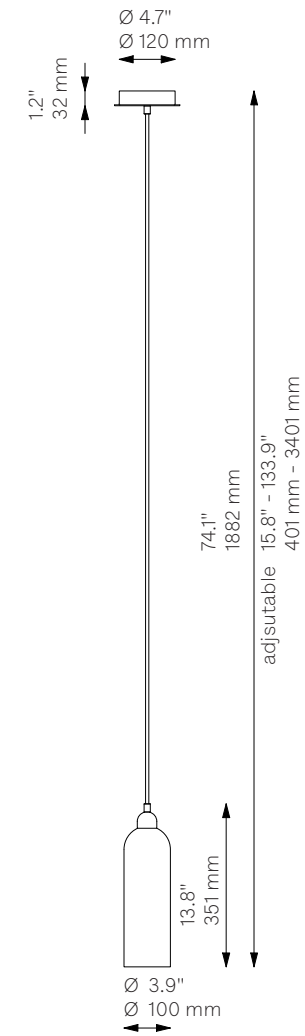


Odyssey Single LG

Pendant - B163

Odyssey Collection

Schwung Product Information



| | | |
|--|---|-------------------|
| Glass Lampshades | 1 x \varnothing 100 mm x H 300 mm / \varnothing 3.9" x H 11.8" Triplex Opal Glass (acid etch on the outside) | |
| Weight | 1.4 kg / 3.1 lb | |
| Light Source | LED Bulb (included) | 1 x 4 W |
| | Max Wattage | 1 x 15 W |
| | Total Lumens | 220 lm |
| | Color Temperature | 2200-3000 K |
| | Bulb Base | E14 / E12 |
| | Power Supply | 230/120V CE/UL |
| | Dimmable with electronic dimmers only (ELV, trailing edge) | |
| Finishes | LBB / Lacquered Burnished Brass BGM / Black Gunmetal PN / Polished Nickel (extra charge of 25%) | |
| Canopy (Vaulted Ceiling Compatible) | \varnothing 120 mm \varnothing 4.7" | H 32 mm H 1.2" |
| CE/UL Certified | CE/UL | |
| Ingress Protection | IP 20 | |

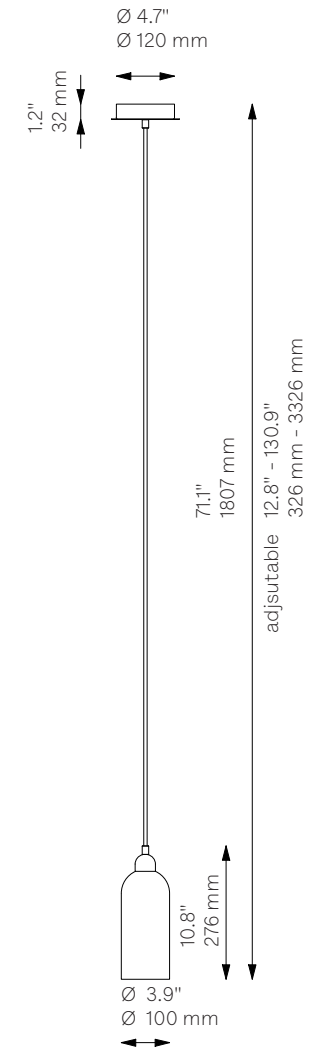


Odyssey Single MD

Pendant - B162

Odyssey Collection

Schwung Product Information



| | | |
|--|---|-------------------|
| Glass Lampshades | 1 x Ø 100 mm x H 225 mm / Ø 3.9" x H 8.9" Triplex Opal Glass (acid etch on the outside) | |
| Weight | 1.2 kg / 2.6 lb | |
| Light Source | LED Bulb (included) | 1 x 4 W |
| | Max Wattage | 1 x 15 W |
| | Total Lumens | 220 lm |
| | Color Temperature | 2200-3000 K |
| | Bulb Base | E14 / E12 |
| | Power Supply | 230/120V CE/UL |
| | Dimmable with electronic dimmers only (ELV, trailing edge) | |
| Finishes | LBB / Lacquered Burnished Brass BGM / Black Gunmetal PN / Polished Nickel (extra charge of 25%) | |
| Canopy (Vaulted Ceiling Compatible) | Ø 120 mm Ø 4.7" | H 32 mm H 1.2" |
| CE/UL Certified | CE/UL | |
| Ingress Protection | IP 20 | |

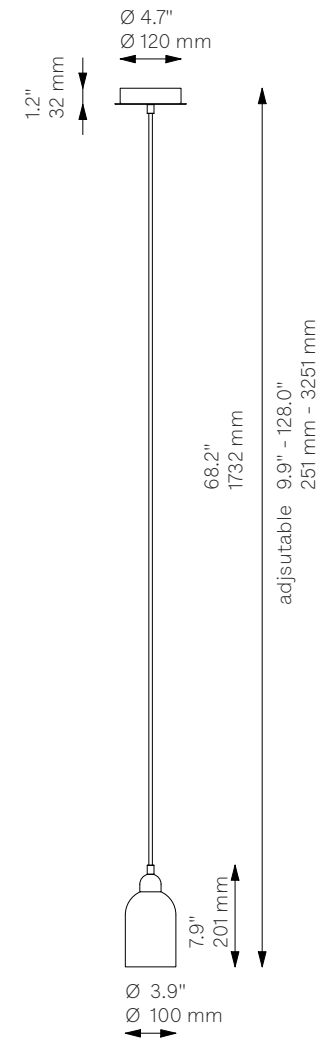


Odyssey Single SM

Pendant - B161

Odyssey Collection

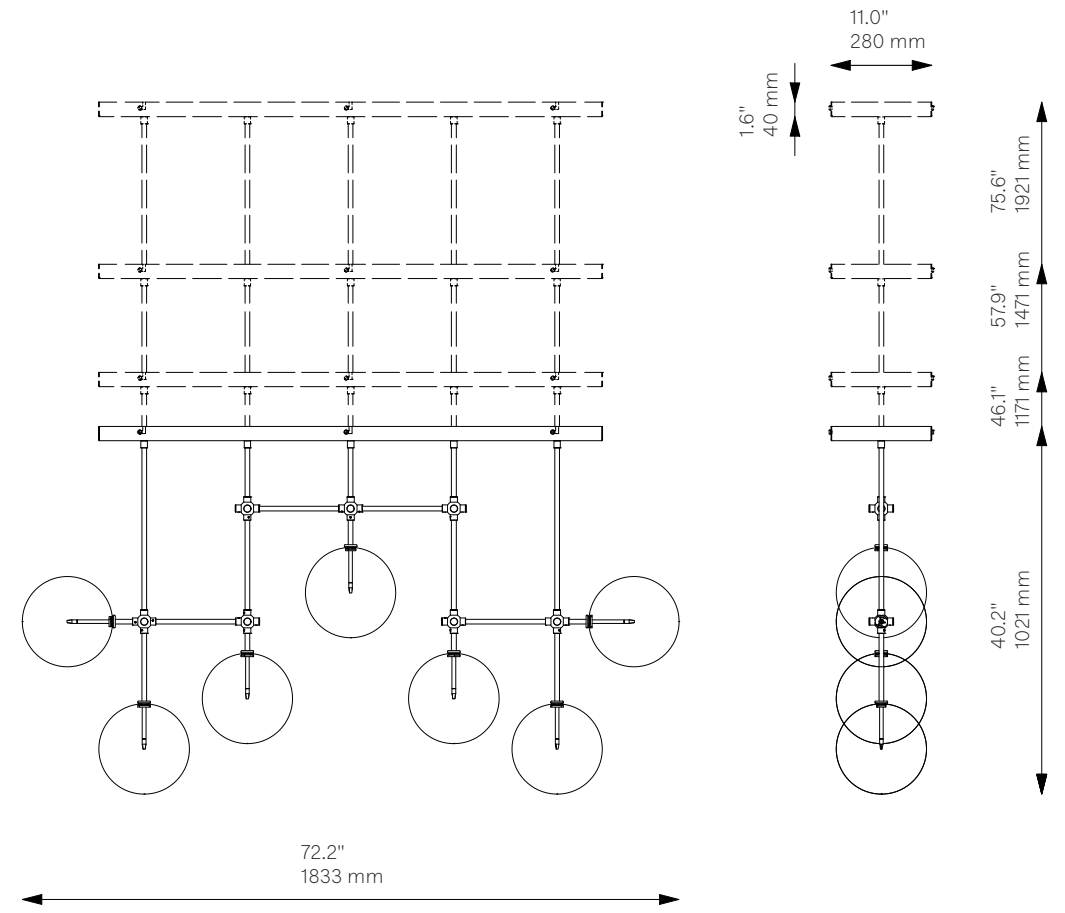
Schwung Product Information



| | | |
|--|---|-------------------|
| Glass Lampshades | 1 x Ø 100 mm x H 150 mm / Ø 3.9" x H 5.9" Triplex Opal Glass (acid etch on the outside) | |
| Weight | 1.0 kg / 2.2 lb | |
| Light Source | LED Bulb (included) | 1 x 4 W |
| | Max Wattage | 1 x 15 W |
| | Total Lumens | 220 lm |
| | Color Temperature | 2200-3000 K |
| | Bulb Base | E14 / E12 |
| | Power Supply | 230/120V CE/UL |
| | Dimmable with electronic dimmers only (ELV, trailing edge) | |
| Finishes | LBB / Lacquered Burnished Brass BGM / Black Gunmetal PN / Polished Nickel (extra charge of 25%) | |
| Canopy (Vaulted Ceiling Compatible) | Ø 120 mm Ø 4.7" | H 32 mm H 1.2" |
| CE/UL Certified | CE/UL | |
| Ingress Protection | IP 20 | |



Schwung Product Information



Soap B7 LG

Chandelier - B028

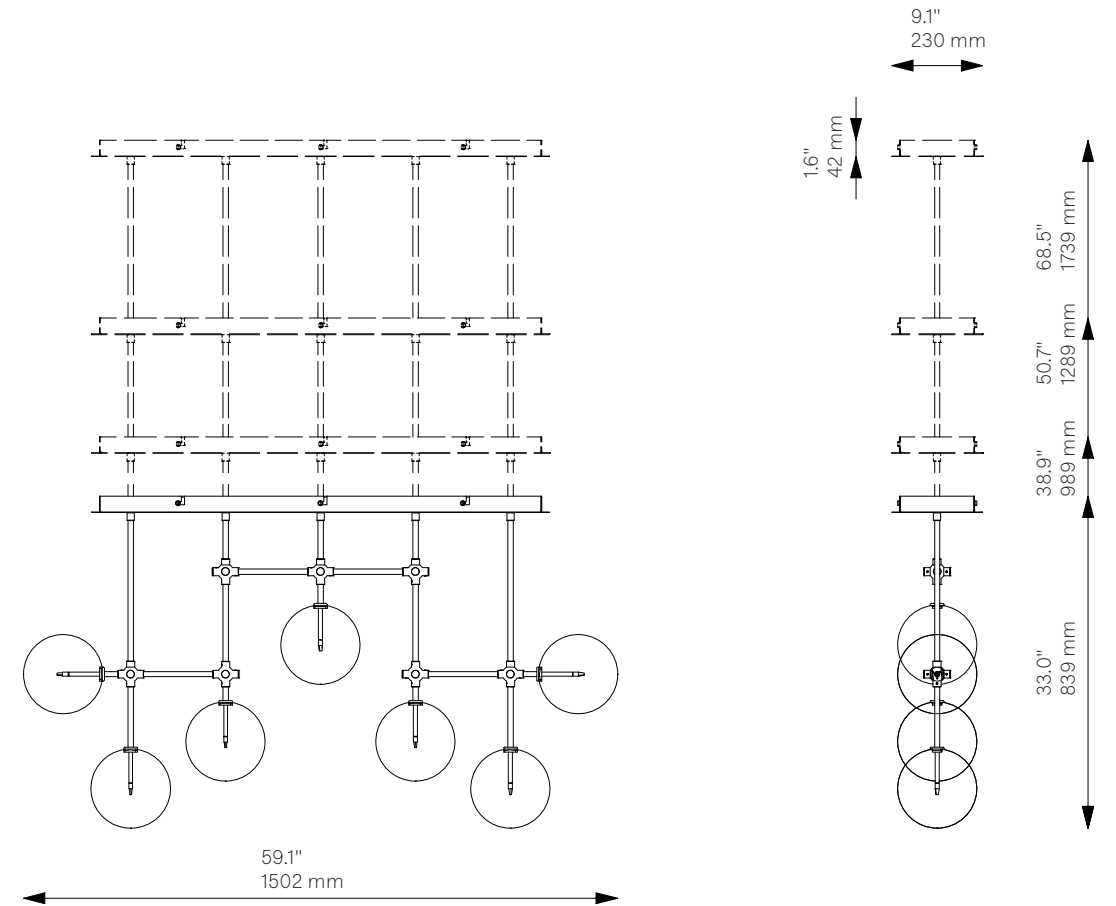
Unavailable in the USA and Canada.

Classic Collection

| | | | |
|----------------------------------|--|-------------------------|-------------------------|
| Glass Lampshades | 7 x Ø 250 mm / Ø 9.8" Borosilicate Transparent Glass | | |
| Weight | 27.4 kg / 60.4 lb | | |
| Light Source | LED Bulb (included) | 7 x 1.6 W | |
| | Max Wattage | 7 x 5 W | |
| | Total Lumens | 1260 lm | |
| | Color Temperature | 2700 K | |
| | Bulb Base | G4, 12 V | |
| | Power Supply | 230/120V CE/UL | |
| | Dimmable with electronic dimmers only (ELV, trailing edge) | | |
| Finishes | LBB / Lacquered Burnished Brass BGM / Black Gunmetal | | |
| Extension Rods (Included) | 5 x 150 mm 5 x 5.9" | 5 x 300 mm 5 x 11.8" | 5 x 450 mm 5 x 17.7" |
| CE/UL Certified | CE/UL | | |
| Ingress Protection | IP 20 | | |



Schwung Product Information



Soap B7 MD

Chandelier - B027

Unavailable in the USA and Canada.

Classic Collection

| | | | |
|----------------------------------|---|-------------------------|-------------------------|
| Glass Lampshades | 7 x Ø 200 mm / Ø 7.9" Borosilicate Transparent Glass | | |
| Weight | 21.5 kg / 47.4 lb | | |
| Light Source | LED Bulb (included) | 7 x 1.6 W | |
| | Max Wattage | 7 x 5 W | |
| | Total Lumens | 1260 lm | |
| | Color Temperature | 2700 K | |
| | Bulb Base | G4, 12 V | |
| | Power Supply | 230/120V CE/UL | |
| | Dimmable with electronic dimmers only (ELV, trailing edge) | | |
| Finishes | LBB / Lacquered Burnished Brass BGM / Black Gunmetal PN / Polished Nickel (extra charge of 25%) | | |
| Extension Rods (Included) | 5 x 150 mm 5 x 5.9" | 5 x 300 mm 5 x 11.8" | 5 x 450 mm 5 x 17.7" |
| CE/UL Certified | CE/UL | | |
| Ingress Protection | IP 20 | | |

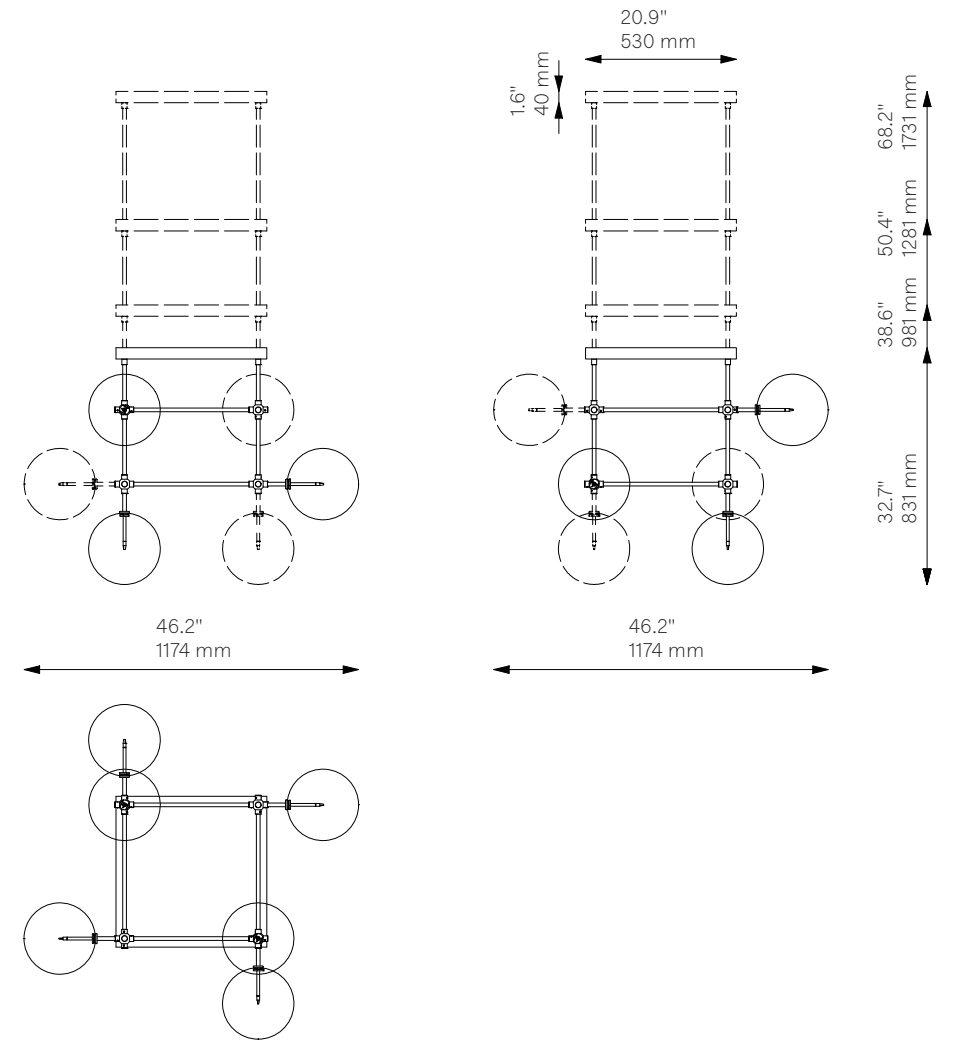


Soap 6 DT

Chandelier - B036

Classic Collection

Schwung Product Information



| | | | |
|----------------------------------|---|-------------------------|-------------------------|
| Glass Lampshades | 6 x Ø 250 mm / Ø 9.8" Borosilicate Transparent Glass | | |
| Weight | 22.6 kg / 49.9 lb | | |
| Light Source | LED Bulb (included) | 6 x 1.6 W | |
| | Max Wattage | 6 x 5 W | |
| | Total Lumens | 1080 lm | |
| | Color Temperature | 2700 K | |
| | Bulb Base | G4, 12 V | |
| | Power Supply | 230/120V CE/UL | |
| | Dimmable with electronic dimmers only (ELV, trailing edge) | | |
| Finishes | LBB / Lacquered Burnished Brass BGM / Black Gunmetal PN / Polished Nickel (extra charge of 25%) | | |
| Extension Rods (Included) | 4 x 150 mm 4 x 5.9" | 4 x 300 mm 4 x 11.8" | 4 x 450 mm 4 x 17.7" |
| CE/UL Certified | CE | | |
| Ingress Protection | IP 20 | | |

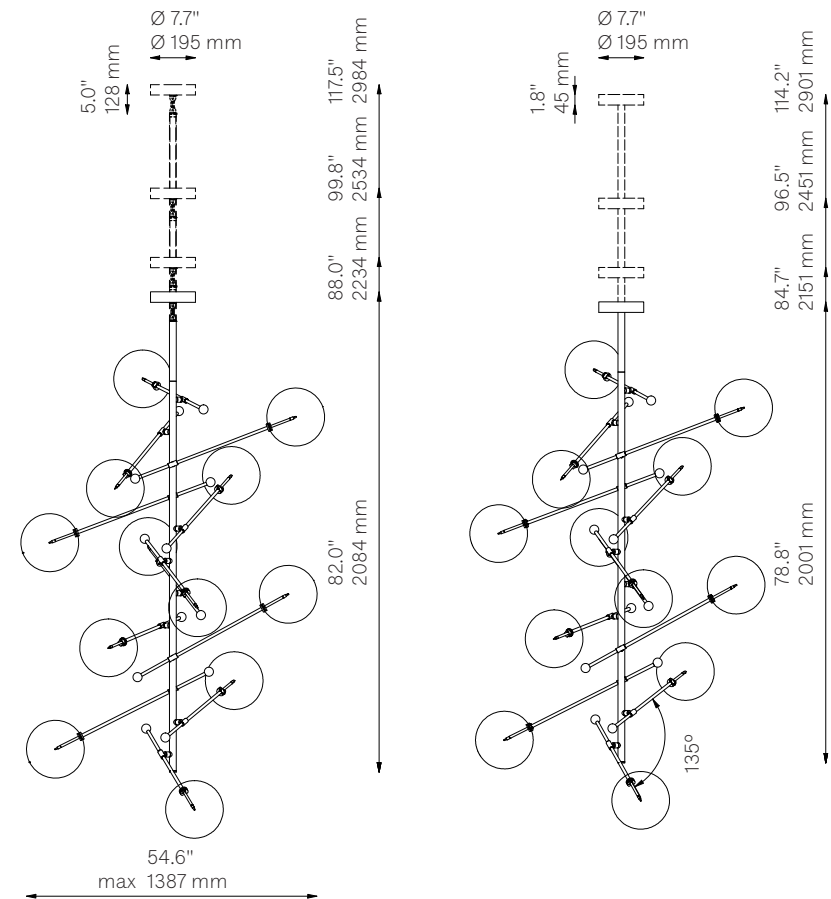


RD15 12 Arms

Chandelier - B100

Classic Collection

Schwung Product Information



| | | | |
|--|---|-------------------------|-------------------------|
| Glass Lampshades | 12 x Ø 250 mm / Ø 9.8" Borosilicate Transparent Glass | | |
| Weight | 32.0 kg / 70.0 lb | | |
| Light Source | LED Bulb (included) | 12 x 1.6 W | |
| | Max Wattage | 12 x 1.6 W | |
| | Total Lumens | 2160 lm | |
| | Color Temperature | 2700 K | |
| | Bulb Base | G4, 12 V | |
| | Power Supply | 230/120V CE/UL | |
| | Dimmable with electronic dimmers only (ELV, trailing edge) | | |
| Finishes | LBB / Lacquered Burnished Brass BGM / Black Gunmetal PN / Polished Nickel (extra charge of 25%) | | |
| Extension Rods (Included) | 1 x 150 mm 1 x 5.9" | 1 x 300 mm 1 x 11.8" | 1 x 450 mm 1 x 17.7" |
| Canopy (Vaulted Ceiling Compatible) | Ø 195 mm Ø 7.7" | H 45 mm H 1.8" | |
| CE/UL Certified | CE | | |
| Ingress Protection | IP 20 | | |



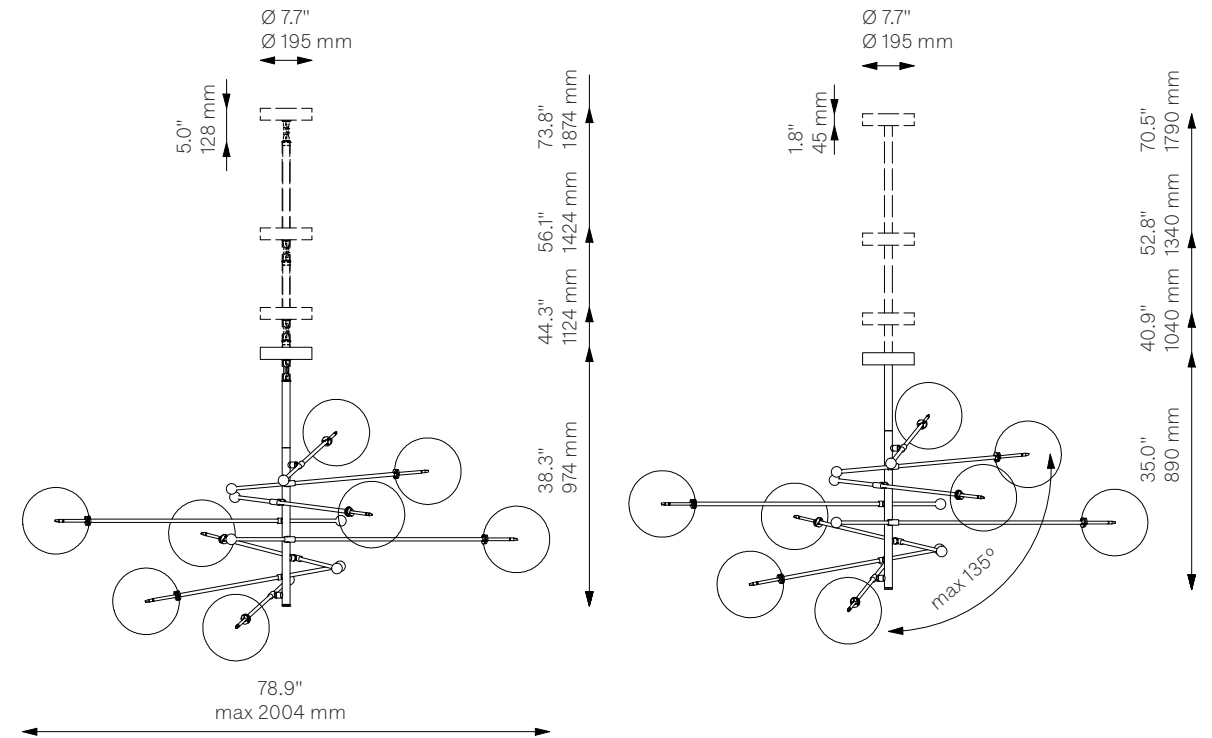
RD15 8 Arms

Chandelier - B080

Unavailable in the USA and Canada.

Classic Collection

Schwung Product Information



Glass Lampshades 8 x Ø 250 mm / Ø 9.8"
Borosilicate Transparent Glass

Weight 21.0 kg / 46.3 lb

Light Source

| | |
|---------------------|----------------|
| LED Bulb (included) | 8 x 1.6 W |
| Max Wattage | 8 x 5 W |
| Total Lumens | 1440 lm |
| Color Temperature | 2700 K |
| Bulb Base | G4, 12 V |
| Power Supply | 230/120V CE/UL |

Dimmable with electronic dimmers only (ELV, trailing edge)

Finishes

LBB / Lacquered Burnished Brass
BGM / Black Gunmetal
PN / Polished Nickel (extra charge of 25%)

Extension Rods (Included)

| | | |
|------------|------------|------------|
| 1 x 150 mm | 1 x 300 mm | 1 x 450 mm |
| 1 x 5.9" | 1 x 11.8" | 1 x 17.7" |

Canopy (Vaulted Ceiling Compatible)

| | |
|----------|---------|
| Ø 195 mm | H 45 mm |
| Ø 7.7" | H 1.8" |

CE/UL Certified CE/UL

Ingress Protection IP 20



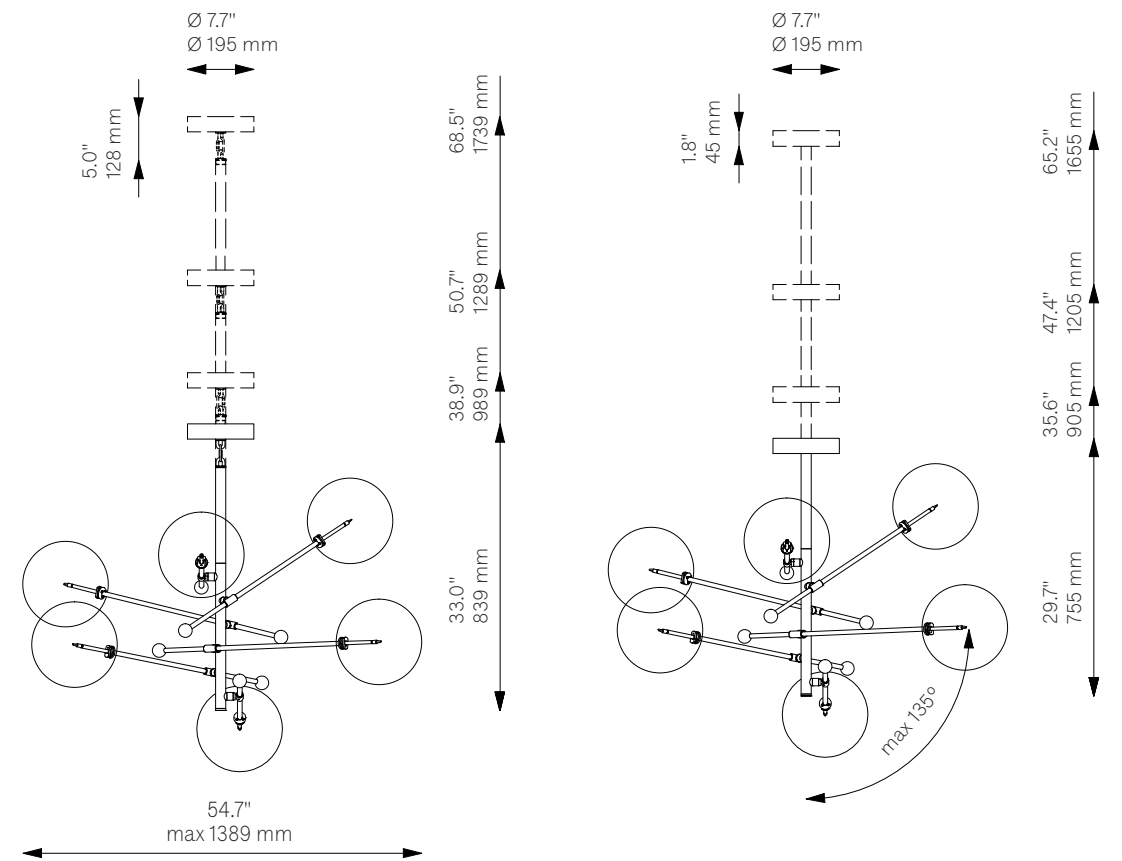
RD15 6 Arms

Chandelier - B013

Unavailable in the USA and Canada.

Classic Collection

Schwung Product Information



| | | | |
|--|---|-------------------------|-------------------------|
| Glass Lampshades | 6 x Ø 250 mm / Ø 9.8" Borosilicate Transparent Glass | | |
| Weight | 16.5 kg / 36.38 lb | | |
| Light Source | LED Bulb (included) | 6 x 1.6 W | |
| | Max Wattage | 6 x 5 W | |
| | Total Lumens | 1080 lm | |
| | Color Temperature | 2700 K | |
| | Bulb Base | G4, 12 V | |
| | Power Supply | 230/120V CE/UL | |
| | Dimmable with electronic dimmers only (ELV, trailing edge) | | |
| Finishes | LBB / Lacquered Burnished Brass BGM / Black Gunmetal PN / Polished Nickel (extra charge of 25%) | | |
| Extension Rods (Included) | 1 x 150 mm 1 x 5.9" | 1 x 300 mm 1 x 11.8" | 1 x 450 mm 1 x 17.7" |
| Canopy (Vaulted Ceiling Compatible) | Ø 195 mm Ø 7.7" | H 45 mm H 1.8" | |
| CE/UL Certified | CE/UL | | |
| Ingress Protection | IP 20 | | |

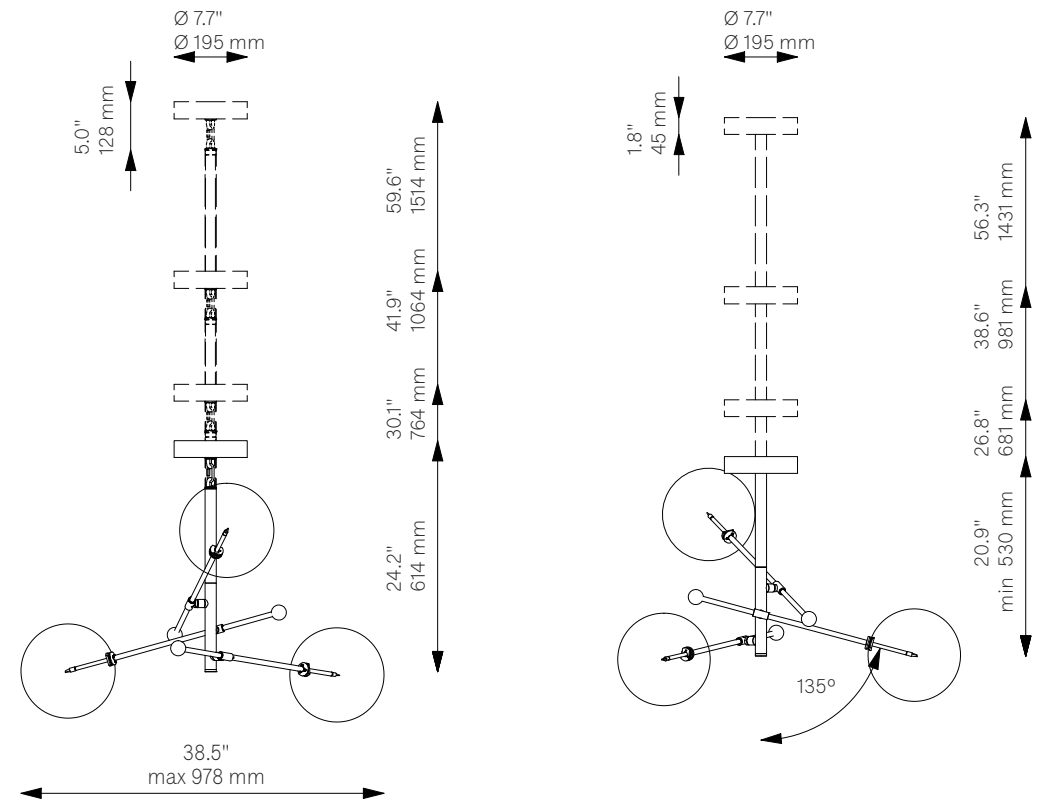


RD15 3 Arms

Chandelier - B079

Classic Collection

Schwung Product Information



| | | | |
|--|---|-------------------------|-------------------------|
| Glass Lampshades | 3 x Ø 250 mm / Ø 9.8" Borosilicate Transparent Glass | | |
| Weight | 10.5 kg / 23.1 lb | | |
| Light Source | LED Bulb (included) | 3 x 1.6 W | |
| | Max Wattage | 3 x 5 W | |
| | Total Lumens | 540 lm | |
| | Color Temperature | 2700 K | |
| | Bulb Base | G4, 12 V | |
| | Power Supply | 230/120V CE/UL | |
| | Dimmable with electronic dimmers only (ELV, trailing edge) | | |
| Finishes | LBB / Lacquered Burnished Brass BGM / Black Gunmetal PN / Polished Nickel (extra charge of 25%) | | |
| Extension Rods (Included) | 1 x 150 mm 1 x 5.9" | 1 x 300 mm 1 x 11.8" | 1 x 450 mm 1 x 17.7" |
| Canopy (Vaulted Ceiling Compatible) | Ø 195 mm Ø 7.7" | H 45 mm H 1.8" | |
| CE/UL Certified | CE/UL | | |
| Ingress Protection | IP 20 | | |



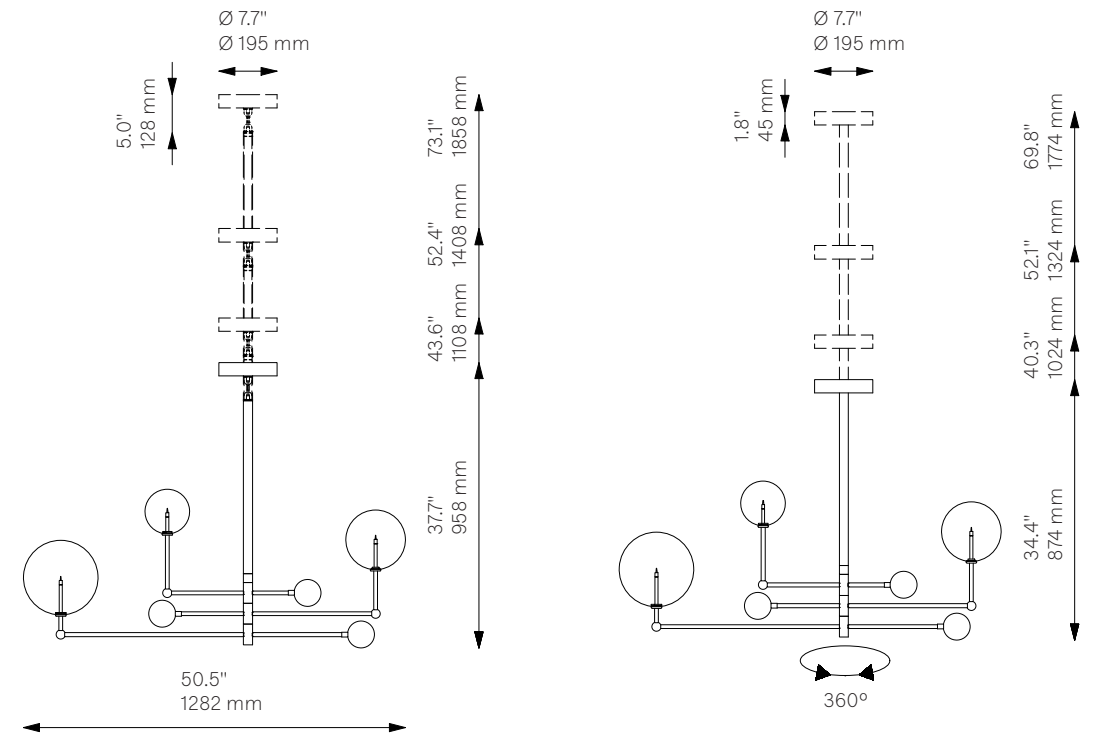
Universe

Chandelier - B061

Unavailable in the USA and Canada.

Classic Collection

Schwung Product Information



| | | | |
|--|---|-------------------------|-------------------------|
| Glass Lampshades | 1 x Ø 250 mm / Ø 9.8" 1 x Ø 200 mm / Ø 7.9" 1 x Ø 150 mm / Ø 5.9" Borosilicate Transparent Glass | | |
| Weight | 21.0 kg / 46.3 lb | | |
| Light Source | LED Bulb (included) | 3 x 1.6 W | |
| | Max Wattage | 3 x 5 W | |
| | Total Lumens | 540 lm | |
| | Color Temperature | 2700 K | |
| | Bulb Base | G4, 12 V | |
| | Power Supply | 230/120V CE/UL | |
| | Dimmable with electronic dimmers only (ELV, trailing edge) | | |
| Finishes | LBB / Lacquered Burnished Brass BGM / Black Gunmetal PN / Polished Nickel (extra charge of 25%) | | |
| Extension Rods (Included) | 1 x 150 mm 1 x 5.9" | 1 x 300 mm 1 x 11.8" | 1 x 450 mm 1 x 17.7" |
| Canopy (Vaulted Ceiling Compatible) | Ø 195 mm Ø 7.7" | H 45 mm H 1.8" | |
| CE/UL Certified | CE/UL | | |
| Ingress Protection | IP 20 | | |

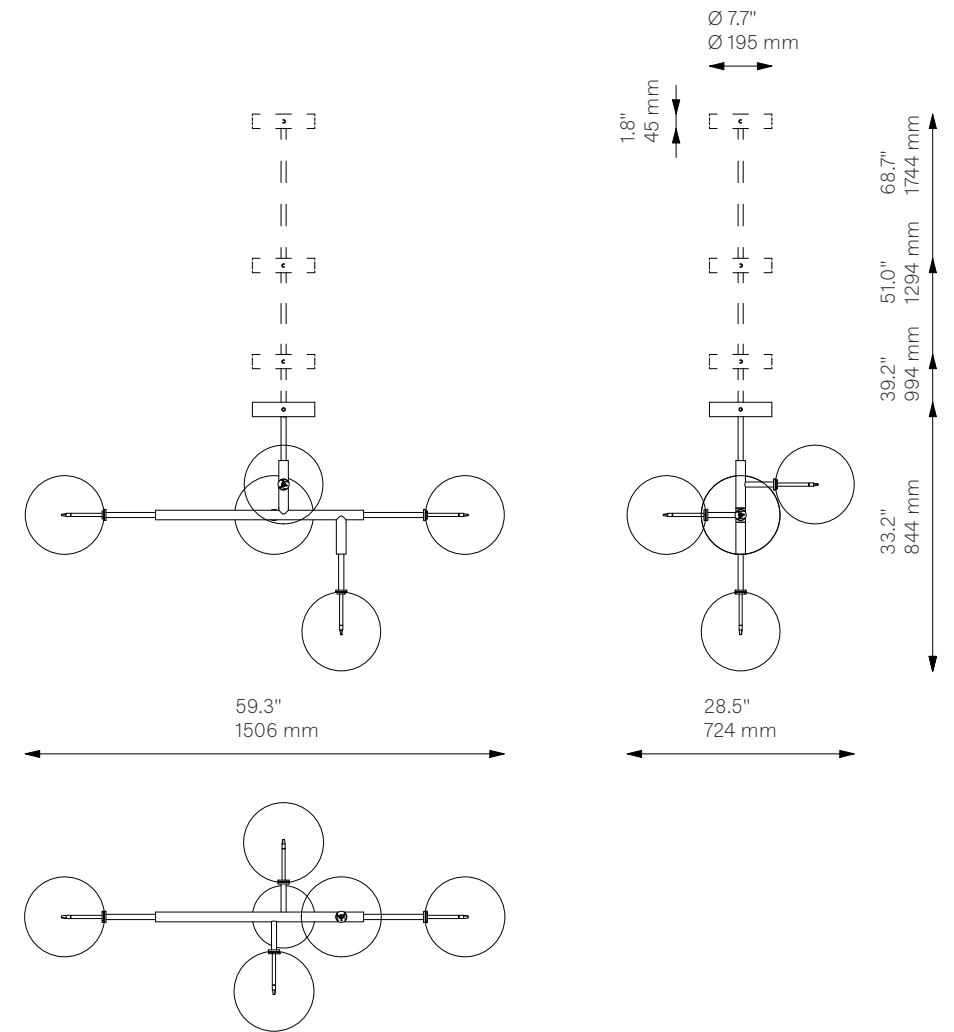


Axis

Chandelier - B176

Classic Collection

Schwung Product Information



| | | | |
|----------------------------------|---|-------------------------|-------------------------|
| Glass Lampshades | 5 x Ø 250 mm / Ø 9.9" Borosilicate Transparent Glass | | |
| Weight | 12.2 kg / 26.9 lb | | |
| Light Source | LED Bulb (included) | 5 x 1.6 W | |
| | Max Wattage | 5 x 5 W | |
| | Total Lumens | 900 lm | |
| | Color Temperature | 2700 K | |
| | Bulb Base | G4, 12 V | |
| | Power Supply | 230/120V CE/UL | |
| | Dimmable with electronic dimmers only (ELV, trailing edge) | | |
| Finishes | LBB / Lacquered Burnished Brass BGM / Black Gunmetal PN / Polished Nickel (extra charge of 25%) | | |
| Extension Rods (Included) | 1 x 150 mm 1 x 5.9" | 1 x 300 mm 1 x 11.8" | 1 x 450 mm 1 x 17.7" |
| CE/UL Certified | CE | | |
| Ingress Protection | IP 20 | | |

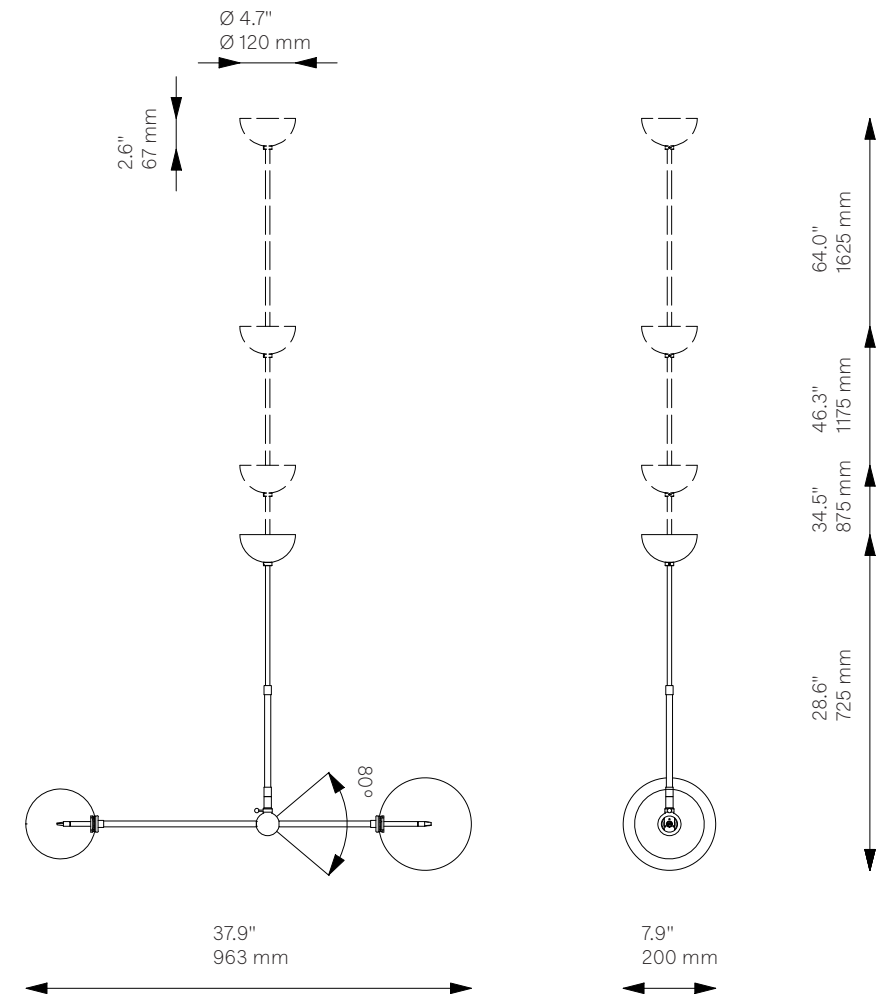


Balance 200 X 150

Pendant - B066

Classic Collection

Schwung Product Information



| | | | |
|----------------------------------|---|-------------------------|-------------------------|
| Glass Lampshades | 1 x Ø 200 mm / Ø 7.9" 1 x Ø 150 mm / Ø 5.9" Borosilicate Transparent Glass | | |
| Weight | 2.8 kg / 6.2 lb | | |
| Light Source | LED Bulb (included) | 2 x 1.6 W | |
| | Max Wattage | 2 x 1.6 W | |
| | Total Lumens | 360 lm | |
| | Color Temperature | 2700 K | |
| | Bulb Base | G4, 12 V | |
| | Power Supply | 230/120V CE/UL | |
| | Dimmable with electronic dimmers only (ELV, trailing edge) | | |
| Finishes | LBB / Lacquered Burnished Brass BGM / Black Gunmetal PN / Polished Nickel (extra charge of 25%) | | |
| Extension Rods (Included) | 1 x 150 mm 1 x 5.9" | 1 x 300 mm 1 x 11.8" | 1 x 450 mm 1 x 17.7" |
| CE/UL Certified | CE | | |
| Ingress Protection | IP 20 | | |

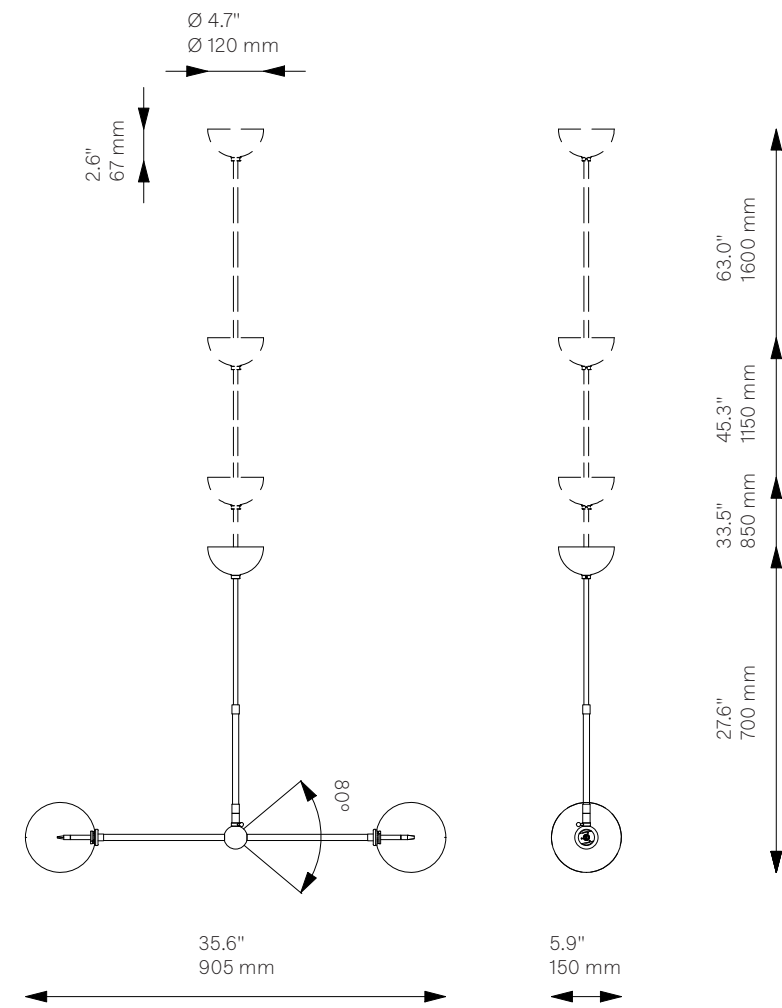


Balance 150 X 150

Pendant - B065

Classic Collection

Schwung Product Information



| | | | |
|----------------------------------|---|-------------------------|-------------------------|
| Glass Lampshades | 2 x Ø 150 mm / Ø 5.9" Borosilicate Transparent Glass | | |
| Weight | 2.5 kg / 5.5 lb | | |
| Light Source | LED Bulb (included) | 2 x 1.6 W | |
| | Max Wattage | 2 x 1.6 W | |
| | Total Lumens | 360 lm | |
| | Color Temperature | 2700 K | |
| | Bulb Base | G4, 12 V | |
| | Power Supply | 230/120V CE/UL | |
| | Dimmable with electronic dimmers only (ELV, trailing edge) | | |
| Finishes | LBB / Lacquered Burnished Brass BGM / Black Gunmetal PN / Polished Nickel (extra charge of 25%) | | |
| Extension Rods (Included) | 1 x 150 mm 1 x 5.9" | 1 x 300 mm 1 x 11.8" | 1 x 450 mm 1 x 17.7" |
| CE/UL Certified | CE | | |
| Ingress Protection | IP 20 | | |



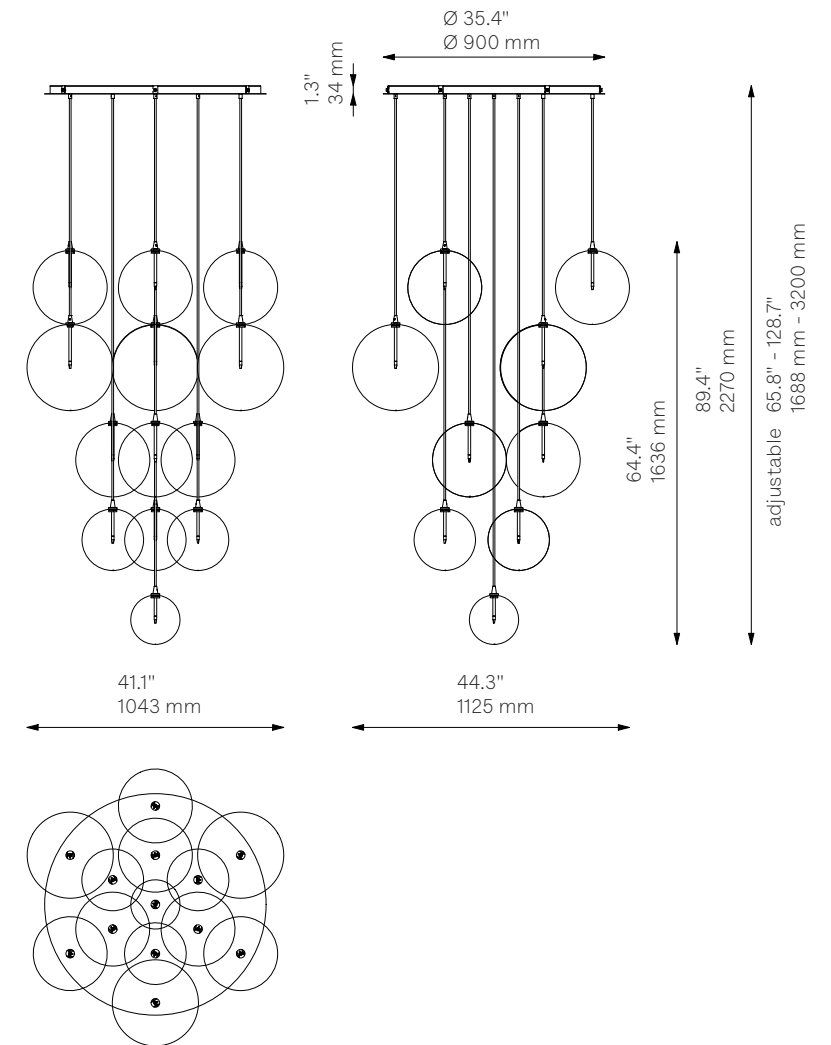
Cluster 13 Mix

Chandelier - B193

Unavailable in the USA and Canada.

Classic Collection

Schwung Product Information



Glass Lampshades

3 x Ø 350 mm / Ø 13.8"
 6 x Ø 300 mm / Ø 11.8"
 3 x Ø 250 mm / Ø 9.9"
 1 x Ø 200 mm / Ø 7.9"
 Borosilicate Transparent Glass

Weight

36.9 kg / 81.4 lb

Light Source

LED Bulb (included) 13 x 1.6 W
 Max Wattage 13 x 1.6 W
 Total Lumens 2340 lm
 Color Temperature 2700 K
 Bulb Base G4, 12 V
 Power Supply 230/120V CE/UL

Dimmable with electronic dimmers only (ELV, trailing edge)

Finishes

LBB / Lacquered Burnished Brass
 BGM / Black Gunmetal
 PN / Polished Nickel (extra charge of 25%)

CE/UL Certified

CE/UL

Ingress Protection

IP 20

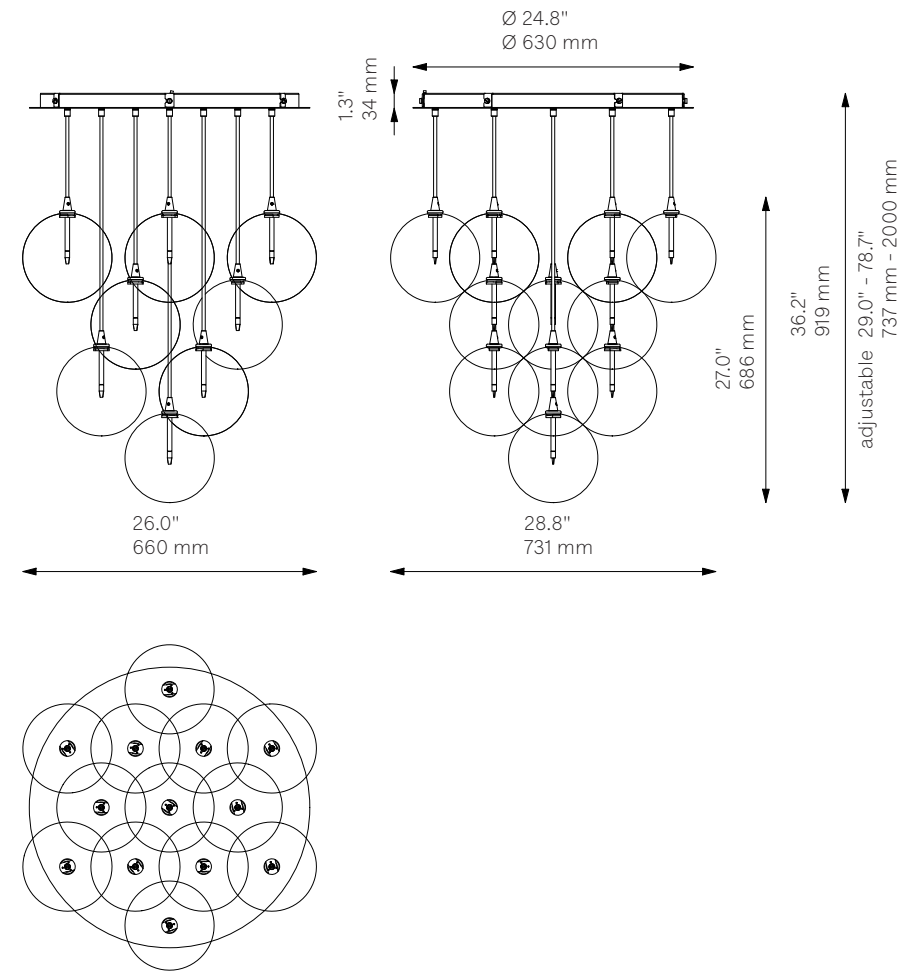


Cluster 13

Chandelier - B212

Classic Collection

Schwung Product Information



Glass Lampshades

13 x Ø 200 mm / Ø 7.9"
Borosilicate Transparent Glass

Weight

18.6 kg / 41.0 lb

Light Source

| | |
|---------------------|----------------|
| LED Bulb (included) | 13 x 1.6 W |
| Max Wattage | 13 x 1.6 W |
| Total Lumens | 2340 lm |
| Color Temperature | 2700 K |
| Bulb Base | G4, 12 V |
| Power Supply | 230/120V CE/UL |

Dimmable with electronic dimmers only (ELV, trailing edge)

Finishes

LBB / Lacquered Burnished Brass
BGM / Black Gunmetal
PN / Polished Nickel (extra charge of 25%)

CE/UL Certified

CE

Ingress Protection

IP 20

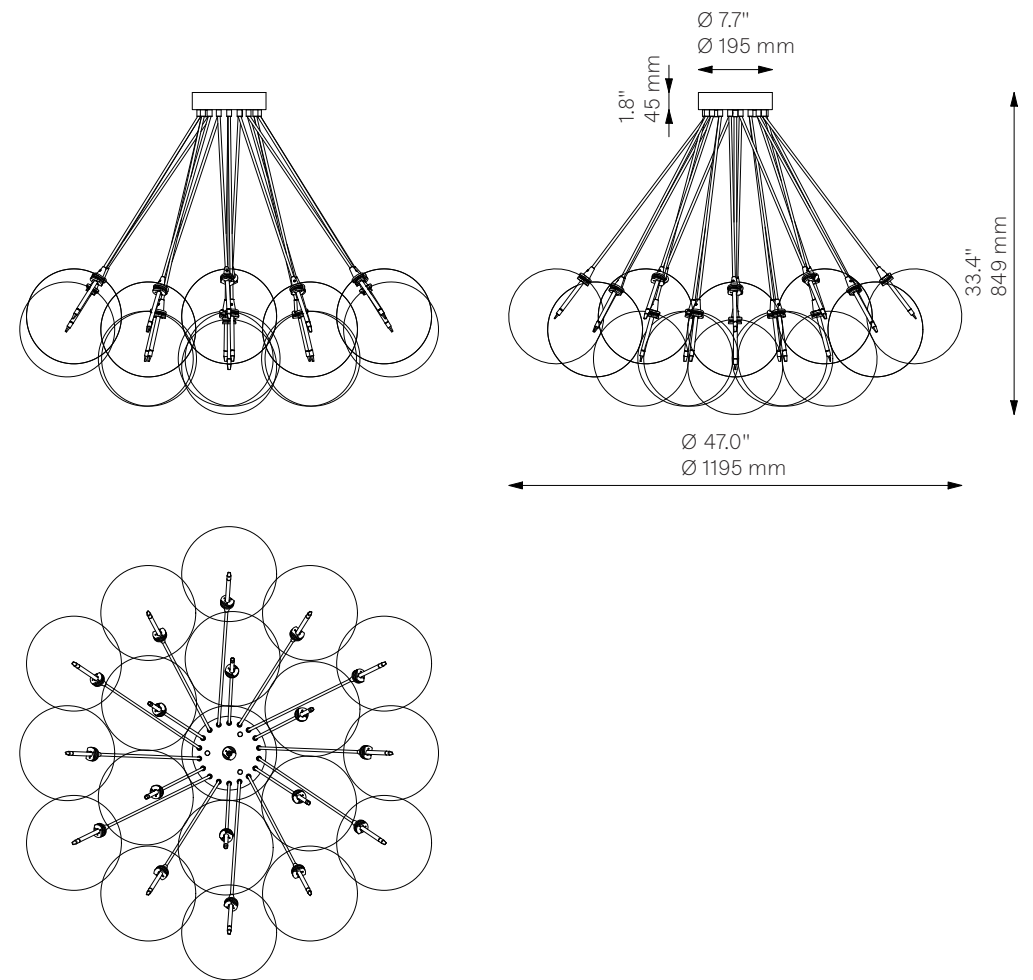


Cloud 250

Chandelier - B654

Classic Collection

Schwung Product Information



Glass Lampshades

19 x Ø 250 mm / Ø 9.9"
Borosilicate Transparent Glass

Weight

21.7 kg / 47.8 lb

Light Source

| | |
|---------------------|----------------|
| LED Bulb (included) | 19 x 1.6 W |
| Max Wattage | 19 x 1.6 W |
| Total Lumens | 3420 lm |
| Color Temperature | 2700 K |
| Bulb Base | G4, 12 V |
| Power Supply | 230/120V CE/UL |

Dimmable with electronic dimmers only (ELV, trailing edge)

Finishes

LBB / Lacquered Burnished Brass
BGM / Black Gunmetal
PN / Polished Nickel (extra charge of 25%)

CE/UL Certified

CE/UL

Ingress Protection

IP 20



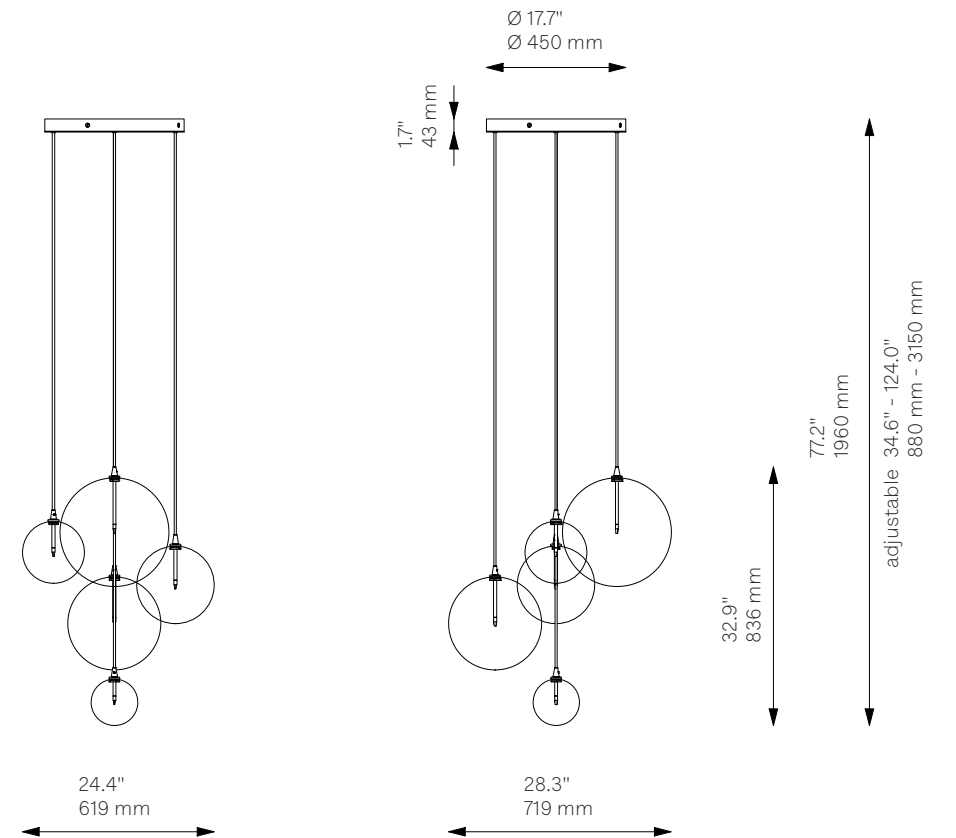
Cluster 5 Mix

Chandelier - B084

Unavailable in the USA and Canada.

Classic Collection

Schwung Product Information



Glass Lampshades

1 x Ø 350 mm / Ø 13.8"
 1 x Ø 300 mm / Ø 11.8"
 1 x Ø 250 mm / Ø 9.9"
 1 x Ø 200 mm / Ø 7.9"
 1 x Ø 150 mm / Ø 5.9"
 Borosilicate Transparent Glass

Weight

16.5 kg / 36.4 lb

Light Source

LED Bulb (included) 5 x 1.6 W
 Max Wattage 5 x 10 W
 Total Lumens 900 lm
 Color Temperature 2700 K
 Bulb Base G4, 12 V
 Power Supply 230/120V CE/UL

Dimmable with electronic dimmers only (ELV, trailing edge)

Finishes

LBB / Lacquered Burnished Brass
 BGM / Black Gunmetal
 PN / Polished Nickel (extra charge of 25%)

CE/UL Certified

CE/UL

Ingress Protection

IP 20



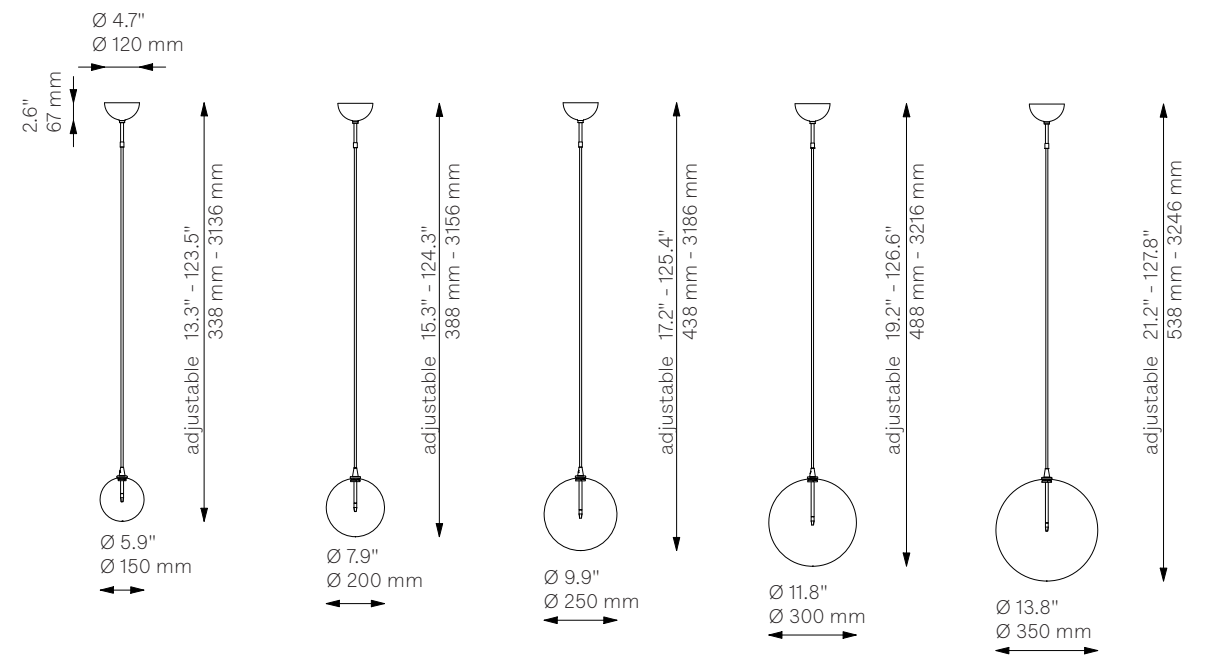
Glass Globe

Pendant - B074-B078

B074, B076, B078 unavailable
in the USA and Canada.

Classic Collection

Schwung Product Information



Glass Lampshades

1 x Ø 350 mm / Ø 13.8"
 1 x Ø 300 mm / Ø 11.8"
 1 x Ø 250 mm / Ø 9.9"
 1 x Ø 200 mm / Ø 7.9"
 1 x Ø 150 mm / Ø 5.9"
 Borosilicate Transparent Glass

Weight

| | |
|----------|-----------------|
| Ø 350 mm | 2.4 kg / 5.3 lb |
| Ø 300 mm | 2.0 kg / 4.4 lb |
| Ø 250 mm | 1.7 kg / 3.8 lb |
| Ø 200 mm | 1.3 kg / 2.9 lb |
| Ø 150 mm | 1.1 kg / 2.4 lb |

Light Source

| | |
|---------------------|----------------|
| LED Bulb (included) | 1 x 1.6 W |
| Max Wattage | 1 x 20 W |
| Total Lumens | 180 lm |
| Color Temperature | 2700 K |
| Bulb Base | G4, 12 V |
| Power Supply | 230/120V CE/UL |

Dimmable with electronic dimmers only (ELV, trailing edge)

Finishes

LBB / Lacquered Burnished Brass
 BGM / Black Gunmetal
 PN / Polished Nickel (extra charge of 25%)

CE/UL Certified

CE/UL

Ingress Protection

IP 20

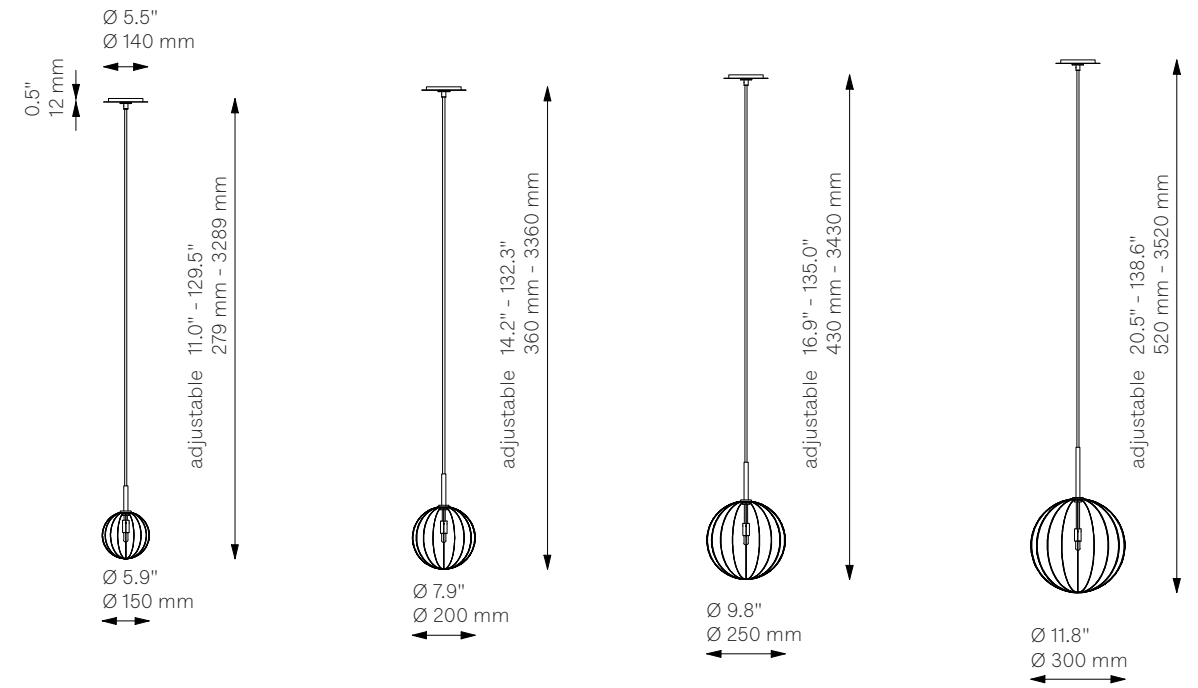


Dries

Pendant - B087-B090

Classic Collection

Schwung Product Information



Glass Lampshades

1 x Ø 300 mm / Ø 11.8"
 1 x Ø 250 mm / Ø 9.8"
 1 x Ø 200 mm / Ø 7.9"
 1 x Ø 150 mm / Ø 5.9"
 Borosilicate Transparent Ribbon Glass

Weight

Ø 300 mm 2.3 kg / 5.1 lb
 Ø 250 mm 1.9 kg / 4.2 lb
 Ø 200 mm 1.6 kg / 3.5 lb
 Ø 150 mm 1.4 kg / 3.1 lb

Light Source

LED Bulb (included) 1 x 4 W
 Max Wattage 1 x 20 W
 Total Lumens 250 lm
 Color Temperature 2700 K
 Bulb Base G9
 Power Supply 230/120V CE/UL

Dimmable with electronic dimmers only (ELV, trailing edge)

Finishes

LBB / Lacquered Burnished Brass
 BGM / Black Gunmetal
 PN / Polished Nickel (extra charge of 25%)

Canopy (Vaulted Ceiling Compatible)

Ø 140 mm H 12 mm
 Ø 5.5" H 0.5"

CE/UL Certified

CE

Ingress Protection

IP 20



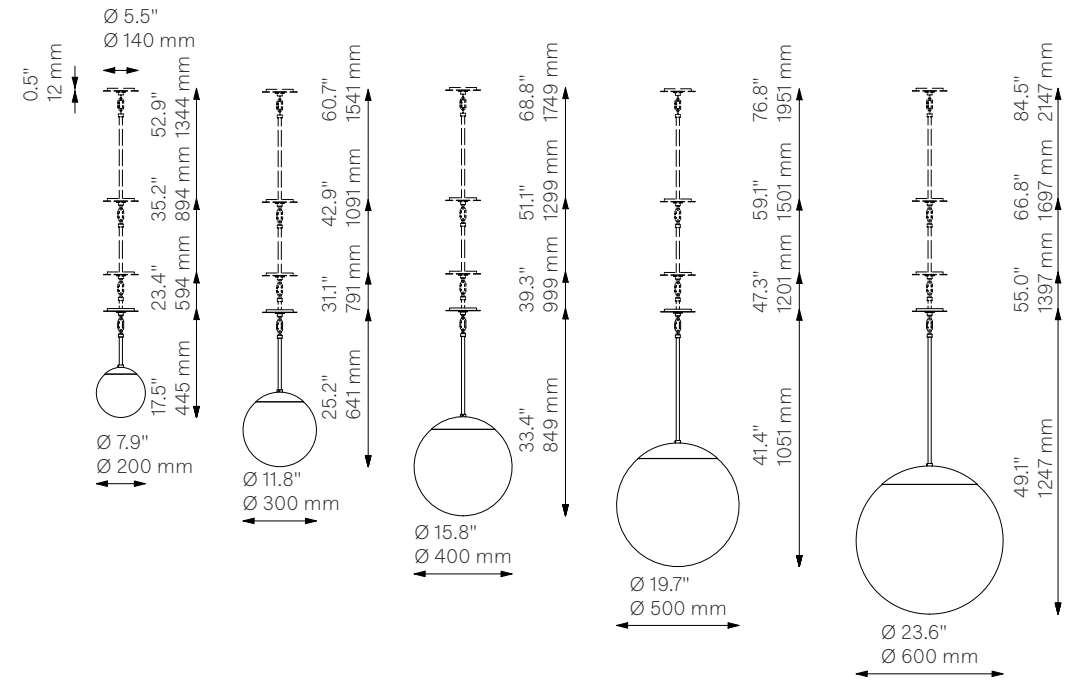
Glass Globe Opal

Pendant - B197, B198, B199, B200, B485

B197, B198, B199, B200 unavailable in the USA and Canada.

Classic Collection

Schwung Product Information



Glass Lampshades

1 x Ø 600 mm / Ø 23.6"
 1 x Ø 500 mm / Ø 19.7"
 1 x Ø 400 mm / Ø 15.8"
 1 x Ø 300 mm / Ø 11.8"
 1 x Ø 200 mm / Ø 7.9"
 Soda Lime Triplex Opal Glass

Weight

| | |
|----------|------------------|
| Ø 200 mm | 2,2 kg / 4,4 lb |
| Ø 300 mm | 3,1 kg / 6,8 lb |
| Ø 400 mm | 4,8 kg / 10,6 lb |
| Ø 500 mm | 6,0 kg / 13,2 lb |
| Ø 600 mm | 8,8 kg / 19,4 lb |

Light Source

| | |
|---------------------|----------------|
| LED Bulb (included) | 1 x 6-8 W |
| Max Wattage | 1 x 15 W |
| Total Lumens | 600 lm |
| Color Temperature | 2000-3000 K |
| Bulb Base | E27 / E26 |
| Power Supply | 230/120V CE/UL |

Dimmable with electronic dimmers only (ELV, trailing edge)

Finishes

LBB / Lacquered Burnished Brass
 BGM / Black Gunmetal
 PN / Polished Nickel (extra charge of 25%)

Extension Rods (Included)

| | | |
|------------|------------|------------|
| 1 x 150 mm | 1 x 300 mm | 1 x 450 mm |
| 1 x 5.9" | 1 x 11.8" | 1 x 17.7" |

Canopy (Vaulted Ceiling Compatible)

| | |
|----------|---------|
| Ø 140 mm | H 12 mm |
| Ø 5.5" | H 0.5" |

CE/UL Certified

CE/UL

Ingress Protection

IP 20

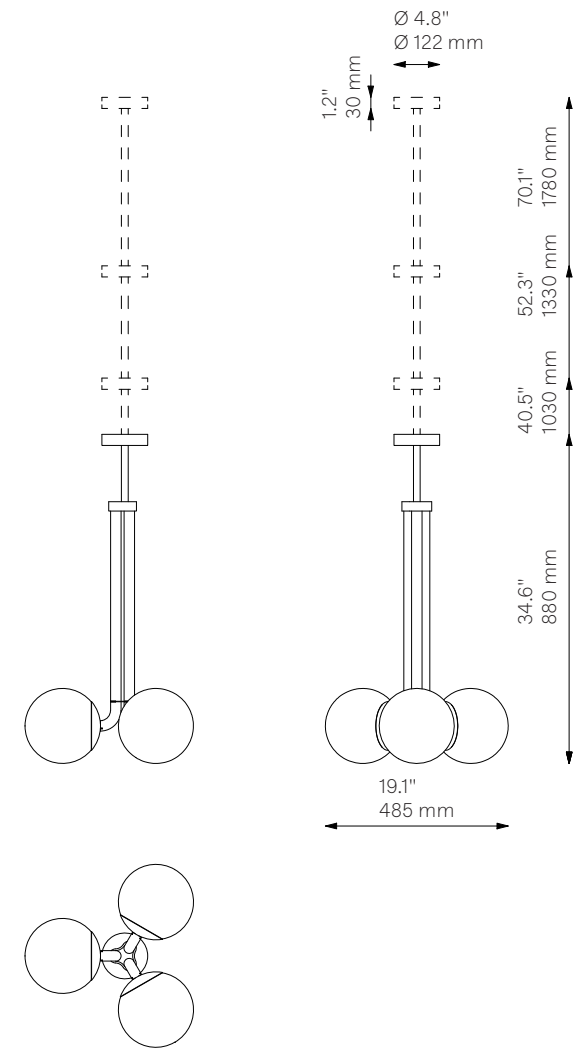


Tubular MD

Chandelier - B150

Classic Collection

Schwung Product Information



| | | | |
|----------------------------------|---|-------------------------|-------------------------|
| Glass Lampshades | 3 x Ø 200 mm / Ø 7.9" Soda Lime Triplex Opal Matte Glass | | |
| Weight | 6.4 kg / 14.1 lb | | |
| Light Source | LED Bulb (included) | 3 x 4 W | |
| | Max Wattage | 3 x 15 W | |
| | Total Lumens | 660 lm | |
| | Color Temperature | 2200-3000 K | |
| | Bulb Base | E14 / E12 | |
| | Power Supply | 230/120V CE/UL | |
| | Dimmable with electronic dimmers only (ELV, trailing edge) | | |
| Finishes | LBB / Lacquered Burnished Brass BGM / Black Gunmetal PN / Polished Nickel (extra charge of 25%) | | |
| Extension Rods (Included) | 1 x 150 mm 1 x 5.9" | 1 x 300 mm 1 x 11.8" | 1 x 450 mm 1 x 17.7" |
| CE/UL Certified | CE/UL | | |
| Ingress Protection | IP 20 | | |

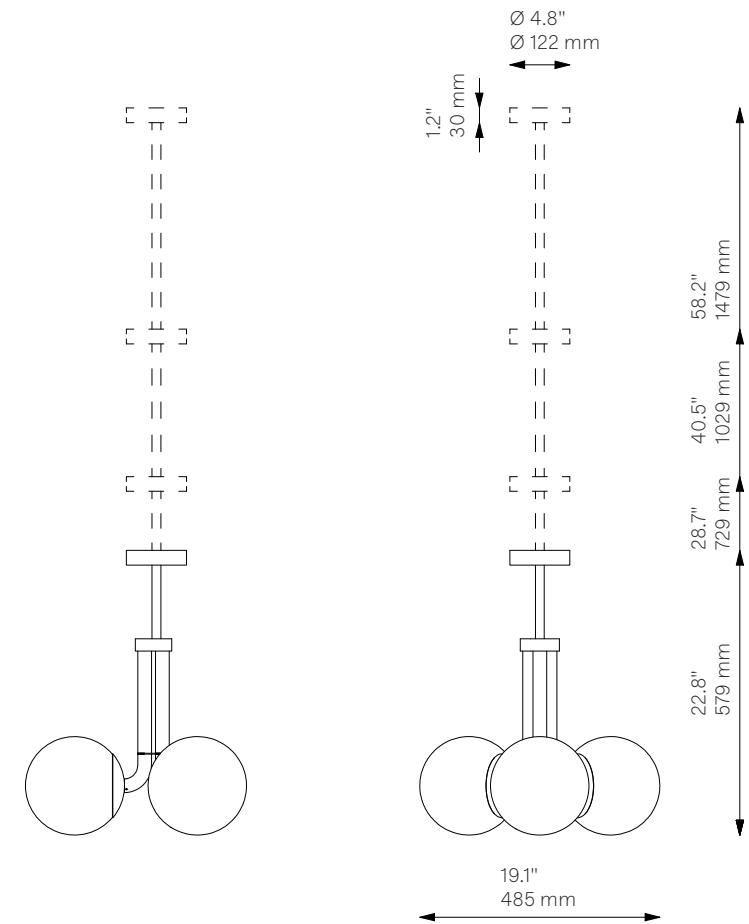


Tubular SM

Chandelier - B149

Classic Collection

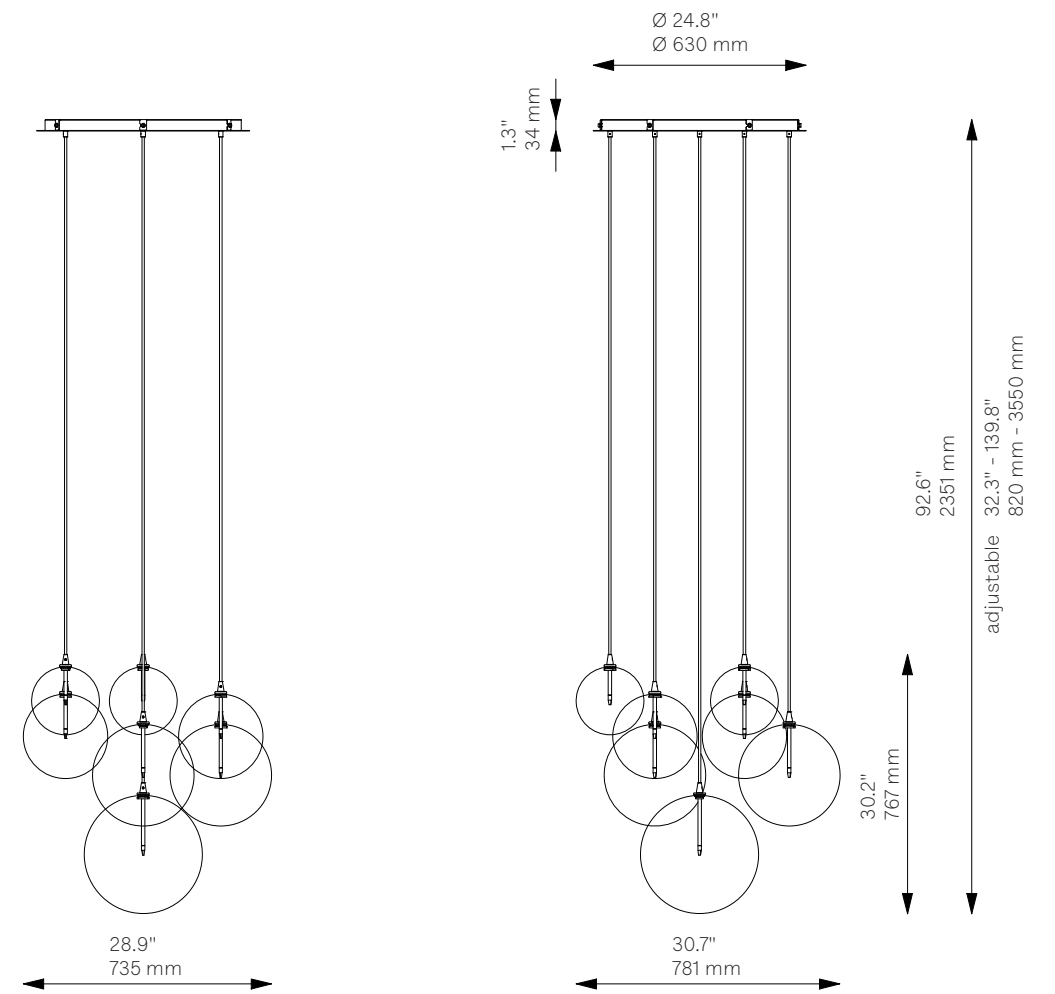
Schwung Product Information



| | | | |
|----------------------------------|---|-------------------------|-------------------------|
| Glass Lampshades | 3 x Ø 200 mm / Ø 7.9" Soda Lime Triplex Opal Matte Glass | | |
| Weight | 5.5 kg / 12.1 lb | | |
| Light Source | LED Bulb (included) | 3 x 4 W | |
| | Max Wattage | 3 x 15 W | |
| | Total Lumens | 660 lm | |
| | Color Temperature | 2200-3000 K | |
| | Bulb Base | E14 / E12 | |
| | Power Supply | 230/120V CE/UL | |
| | Dimmable with electronic dimmers only (ELV, trailing edge) | | |
| Finishes | LBB / Lacquered Burnished Brass BGM / Black Gunmetal PN / Polished Nickel (extra charge of 25%) | | |
| Extension Rods (Included) | 1 x 150 mm 1 x 5.9" | 1 x 300 mm 1 x 11.8" | 1 x 450 mm 1 x 17.7" |
| CE/UL Certified | CE/UL | | |
| Ingress Protection | IP 20 | | |



Schwung Product Information



Cluster 7

Chandelier - B493

Classic Collection

| | |
|---------------------------|---|
| Glass Lampshades | 1 x Ø 350 mm / Ø 13.8" 2 x Ø 300 mm / Ø 11.8" 2 x Ø 250 mm / Ø 9.8" 2 x Ø 200 mm / Ø 7.9" Borosilicate Transparent Glass |
| Weight | 18.2 kg / 40.1 lb |
| Light Source | LED Bulb (included) 7 x 1,6 W Max Wattage 7 x 1,6 W Total Lumens 1260 lm Color Temperature 2700 K Bulb Base G4, 12 V Power Supply 230/120V CE/UL Dimmable with electronic dimmers only (ELV, trailing edge) |
| Finishes | LBB / Lacquered Burnished Brass BGM / Black Gunmetal PN / Polished Nickel (extra charge of 25%) |
| CE/UL Certified | CE |
| Ingress Protection | IP 20 |

Flush Mount



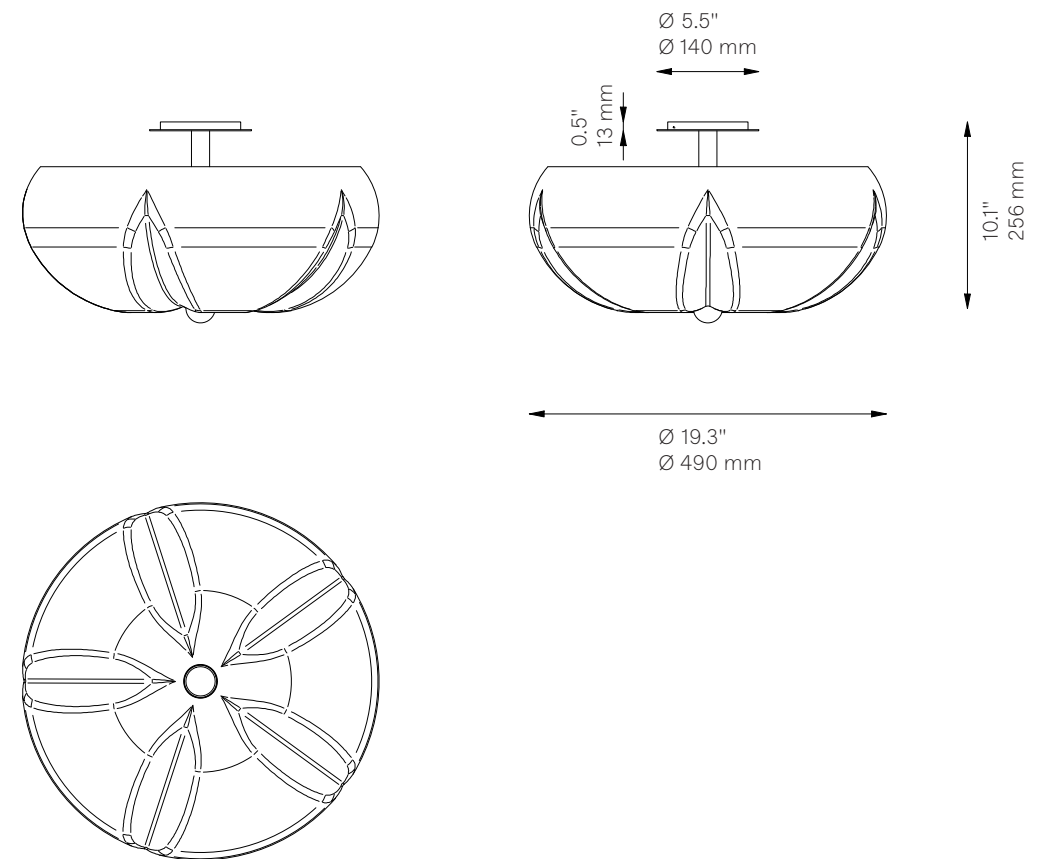


Hana

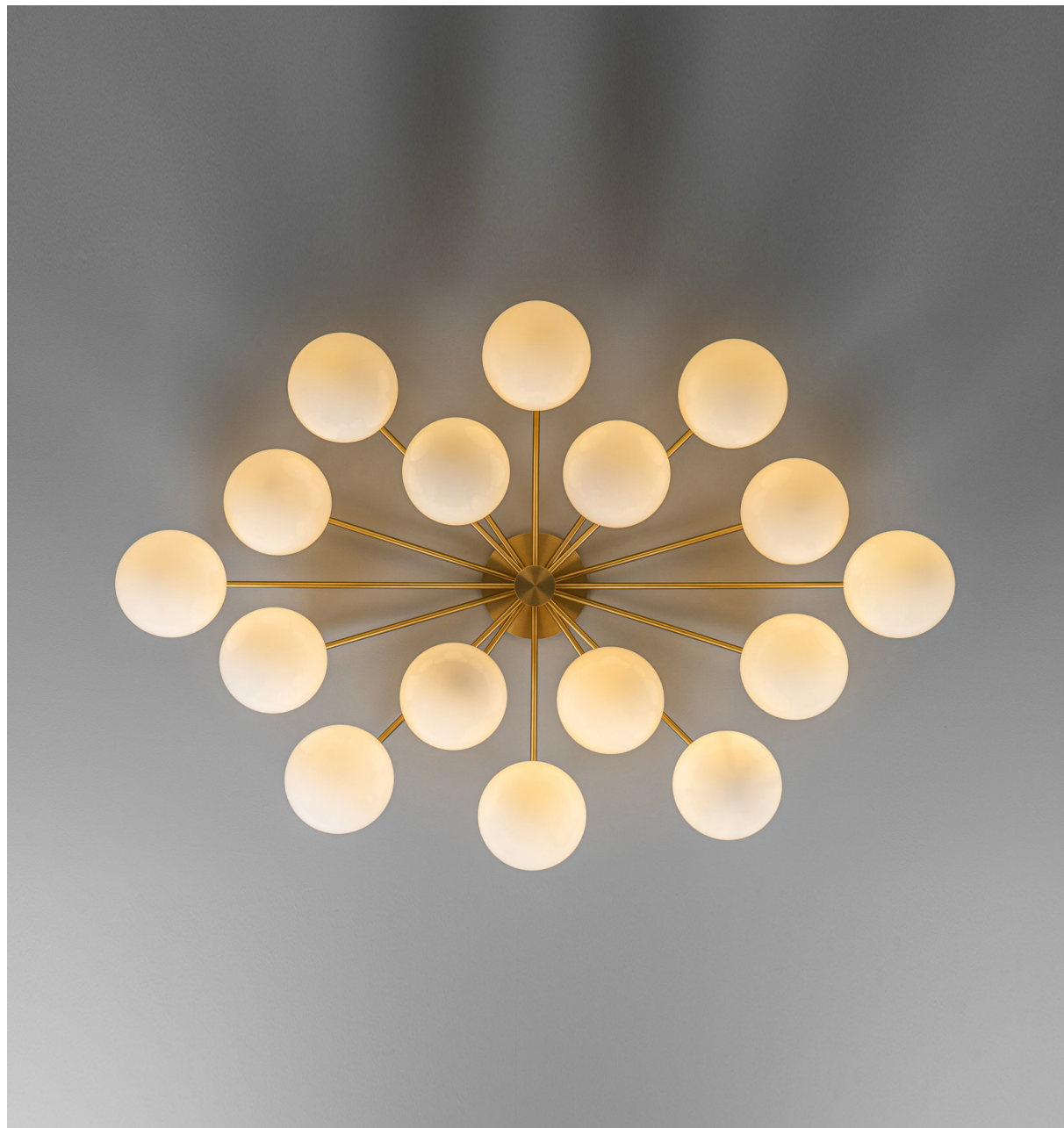
Flush Mount - B674

Hana Collection

Schwung Product Information



| | | | | | | | | | | | | | |
|---------------------------|--|---------------------|---------|-------------|----------|--------------|--------|-------------------|-------------|-----------|---------|--------------|----------------|
| Glass Lampshades | 1 x Ø 490 mm x H 200 mm 1 x Ø 19.3" x H 7.9" Borosilicate Sandblasted Glass | | | | | | | | | | | | |
| Weight | 3.7 kg / 8.1 lb | | | | | | | | | | | | |
| Light Source | <table border="0"> <tr> <td>LED Bulb (included)</td> <td>3 x 4 W</td> </tr> <tr> <td>Max Wattage</td> <td>3 x 15 W</td> </tr> <tr> <td>Total Lumens</td> <td>660 lm</td> </tr> <tr> <td>Color Temperature</td> <td>2200-3000 K</td> </tr> <tr> <td>Bulb Base</td> <td>E14/E12</td> </tr> <tr> <td>Power Supply</td> <td>230/120V CE/UL</td> </tr> </table> <p>Dimmable with electronic dimmers only (ELV, trailing edge)</p> | LED Bulb (included) | 3 x 4 W | Max Wattage | 3 x 15 W | Total Lumens | 660 lm | Color Temperature | 2200-3000 K | Bulb Base | E14/E12 | Power Supply | 230/120V CE/UL |
| LED Bulb (included) | 3 x 4 W | | | | | | | | | | | | |
| Max Wattage | 3 x 15 W | | | | | | | | | | | | |
| Total Lumens | 660 lm | | | | | | | | | | | | |
| Color Temperature | 2200-3000 K | | | | | | | | | | | | |
| Bulb Base | E14/E12 | | | | | | | | | | | | |
| Power Supply | 230/120V CE/UL | | | | | | | | | | | | |
| Finishes | LBB / Lacquered Burnished Brass BGM / Black Gunmetal | | | | | | | | | | | | |
| CE/UL Certified | CE/UL | | | | | | | | | | | | |
| Ingress Protection | IP 20 | | | | | | | | | | | | |



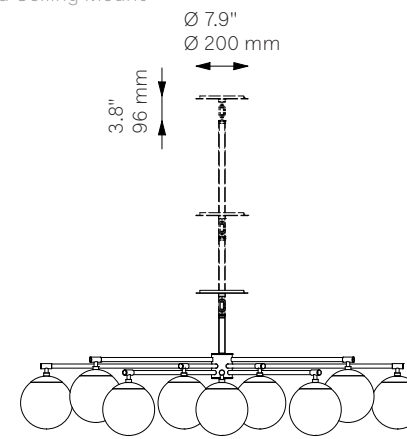
Orion Oval

Flush Mount - B612

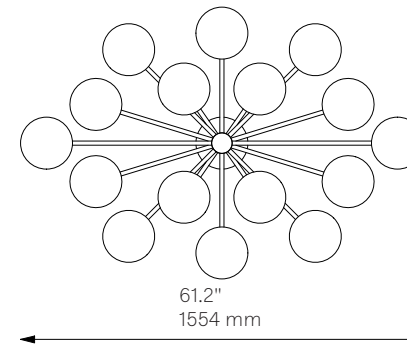
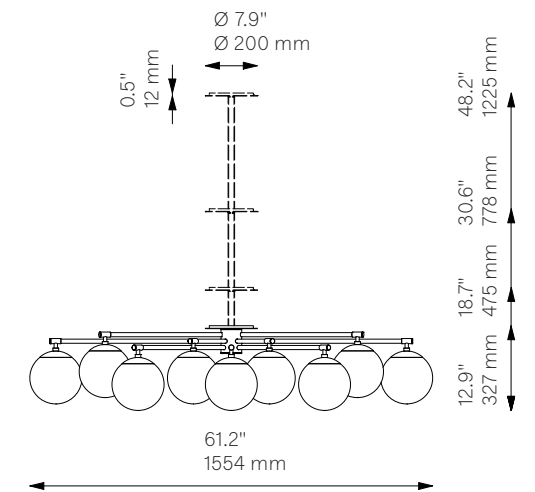
Globe Collection

Schwung Product Information

Vaulted Ceiling Mount



Fixed Mount



Glass Lampshades

16 x Ø 200 mm / Ø 7.9"

¹ Soda Lime Triplex Opal Matte Glass

² Soda Lime Marble Matte Glass

³ Borosilicate Transparent Ribbon Glass

Weight

26.6 kg / 58.6 lb

Light Source

| | |
|---------------------|----------------|
| LED Bulb (included) | 16 x 4-5 W |
| Max Wattage | 16 x 10 W |
| Total Lumens | 3520 lm |
| Color Temperature | 2200-3000 K |
| Bulb Base | E14 / E12 |
| Power Supply | 230/120V CE/UL |

Dimmable with electronic dimmers only (ELV, trailing edge)

Finishes

LBB / Lacquered Burnished Brass
 BGM / Black Gunmetal
 PN / Polished Nickel (extra charge of 25%)

Extension Rods (Included)

| | | |
|------------|------------|------------|
| 1 x 150 mm | 1 x 300 mm | 1 x 450 mm |
| 1 x 5.9" | 1 x 11.8" | 1 x 17.7" |

Canopy (Vaulted Ceiling Compatible)

| | |
|----------|---------|
| Ø 200 mm | H 12 mm |
| Ø 7.9" | H 0.5" |

CE/UL Certified

CE/UL

Ingress Protection

IP 20



Orion Round

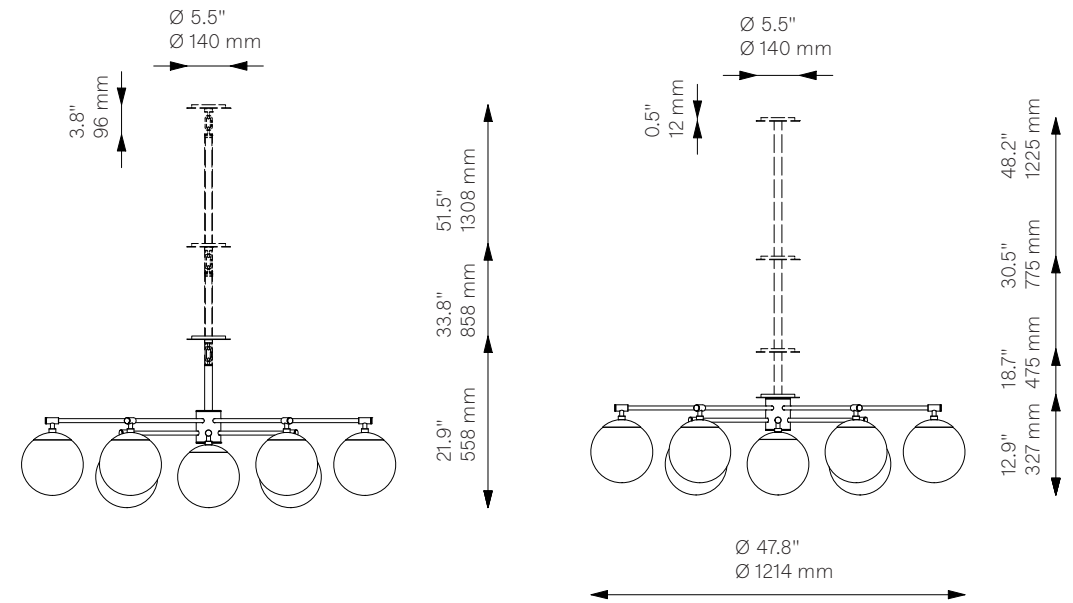
Flush Mount - B300

Globe Collection

Schwung Product Information

Vaulted Ceiling Mount

Fixed Mount



Glass Lampshades

12 x Ø 200 mm / Ø 7.9"

¹ Soda Lime Triplex Opal Matte Glass

² Soda Lime Marble Matte Glass

³ Borosilicate Transparent Ribbon Glass

Weight

19.5 kg / 43.0 lb

Light Source

| | |
|---------------------|----------------|
| LED Bulb (included) | 12 x 4-5 W |
| Max Wattage | 12 x 10 W |
| Total Lumens | 2640 lm |
| Color Temperature | 2200-3000 K |
| Bulb Base | E14 / E12 |
| Power Supply | 230/120V CE/UL |

Dimmable with electronic dimmers only (ELV, trailing edge)

Finishes

LBB / Lacquered Burnished Brass
 BGM / Black Gunmetal
 PN / Polished Nickel (extra charge of 25%)

Extension Rods (Included)

| | | |
|------------|-----------|------------|
| 1 x 150 mm | 1 x 300mm | 1 x 450 mm |
| 1 x 5.9" | 1 x 11.8" | 1 x 17.7" |

Canopy (Vaulted Ceiling Compatible)

| | |
|----------|---------|
| Ø 140 mm | H 12 mm |
| Ø 5.5" | H 0.5" |

CE/UL Certified

CE/UL

Ingress Protection

IP 20

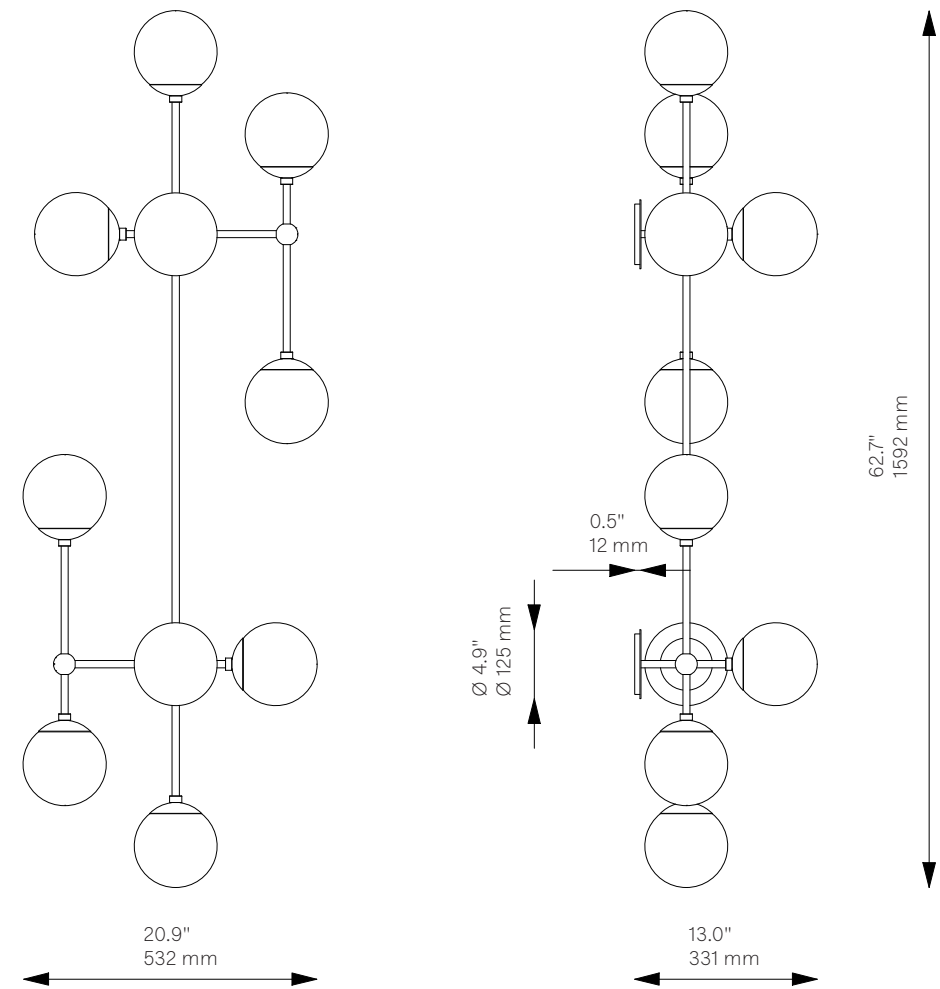


Armstrong

Flush Mount - B571

Globe Collection

Schwung Product Information



Glass Lampshades

10 x Ø 150 mm / Ø 5.9"

- ¹ Soda Lime Triplex Opal Matte Glass
- ² Soda Lime Marble Matte Glass
- ³ Borosilicate Transparent Ribbon Glass

Weight

9.3 kg / 20.5 lb

Light Source

| | |
|---------------------|----------------|
| LED Bulb (included) | 10 x 4-5 W |
| Max Wattage | 10 x 10 W |
| Total Lumens | 2200 lm |
| Color Temperature | 2200k 3000 K |
| Bulb Base | E14 / E12 |
| Power Supply | 230/120V CE/UL |

Dimmable with electronic dimmers only (ELV, trailing edge)

Finishes

LBB / Lacquered Burnished Brass
 BGM / Black Gunmetal
 PN / Polished Nickel (extra charge of 25%)

CE/UL Certified

CE/UL

Ingress Protection

IP 20

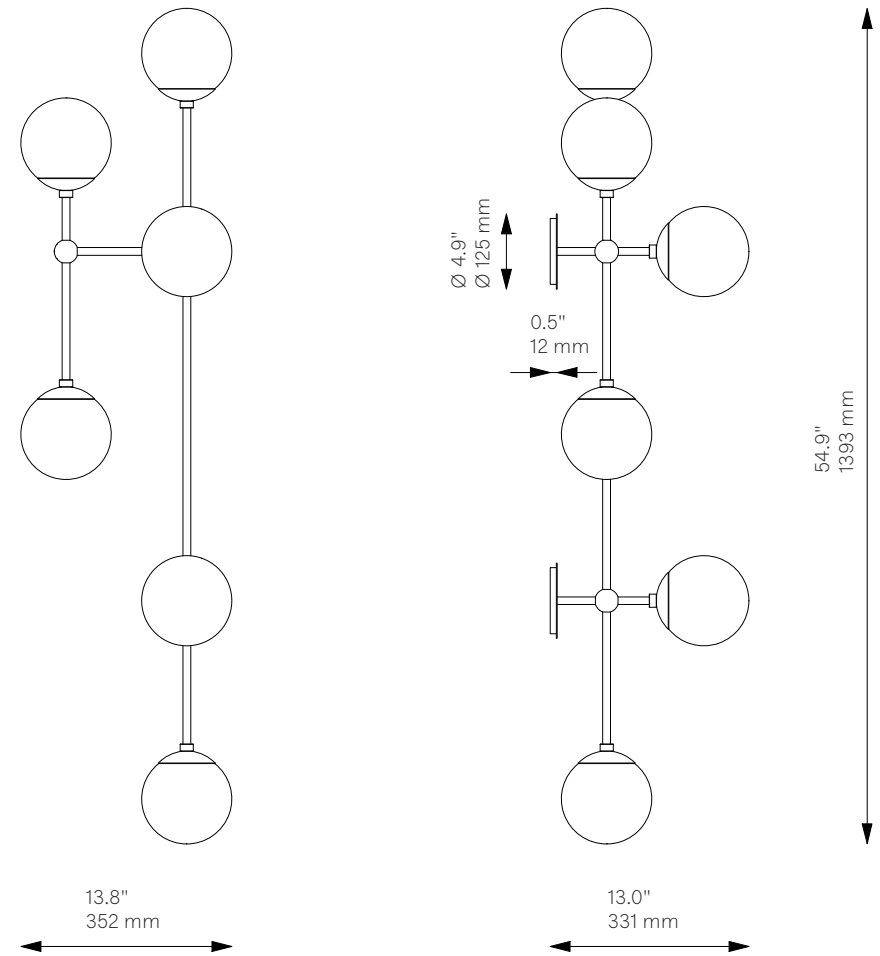


Armstrong 6 L

Flush Mount - B573

Globe Collection

Schwung Product Information



Glass Lampshades

6 x Ø 150 mm / Ø 5.9"

- ¹ Soda Lime Triplex Opal Matte Glass
- ² Soda Lime Marble Matte Glass
- ³ Borosilicate Transparent Ribbon Glass

Weight

6.3 kg / 13.9 lb

Light Source

| | |
|---------------------|----------------|
| LED Bulb (included) | 6 x 4-5 W |
| Max Wattage | 6 x 10 W |
| Total Lumens | 1320 lm |
| Color Temperature | 2200-3000 K |
| Bulb Base | E14 / E12 |
| Power Supply | 230/120V CE/UL |

Dimmable with electronic dimmers only (ELV, trailing edge)

Finishes

LBB / Lacquered Burnished Brass
 BGM / Black Gunmetal
 PN / Polished Nickel (extra charge of 25%)

CE/UL Certified

CE/UL

Ingress Protection

IP 20

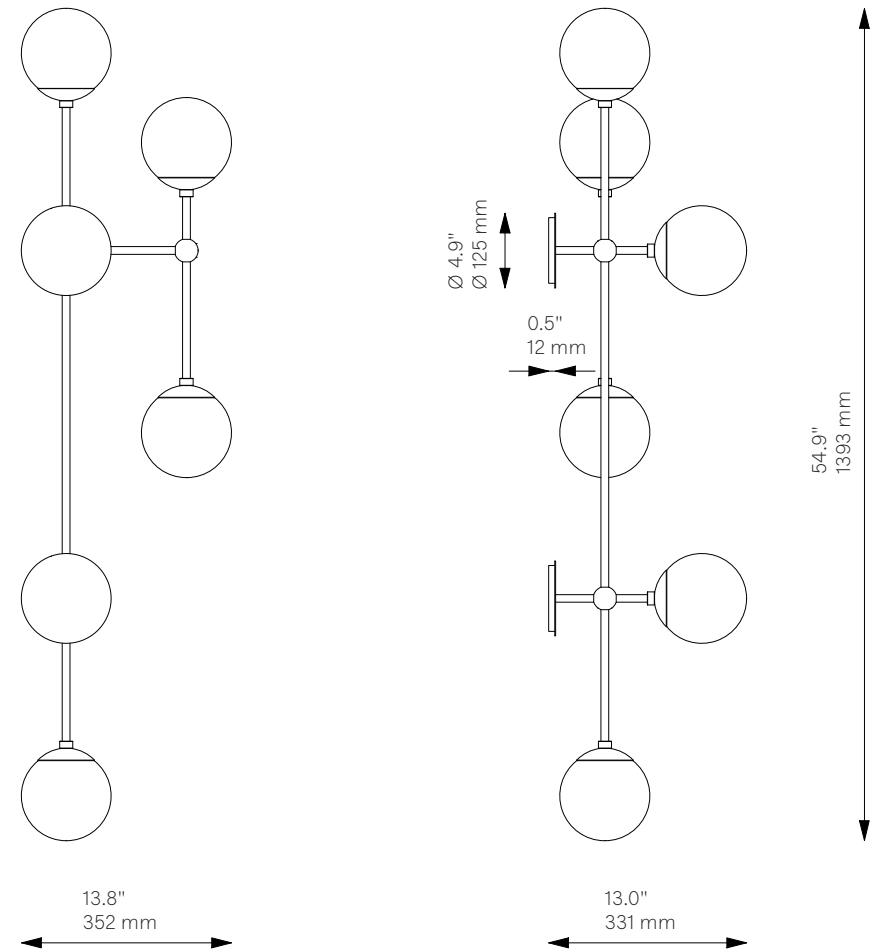


Armstrong 6 R

Flush Mount - B610

Globe Collection

Schwung Product Information



Glass Lampshades

6 x Ø 150 mm / Ø 5.9"

- ¹ Soda Lime Triplex Opal Matte Glass
- ² Soda Lime Marble Matte Glass
- ³ Borosilicate Transparent Ribbon Glass

Weight

6.3 kg / 13.9 lb

Light Source

| | |
|---------------------|----------------|
| LED Bulb (included) | 6 x 4-5 W |
| Max Wattage | 6 x 10 W |
| Total Lumens | 1320 lm |
| Color Temperature | 2200-3000 K |
| Bulb Base | E14 / E12 |
| Power Supply | 230/120V CE/UL |

Dimmable with electronic dimmers only (ELV, trailing edge)

Finishes

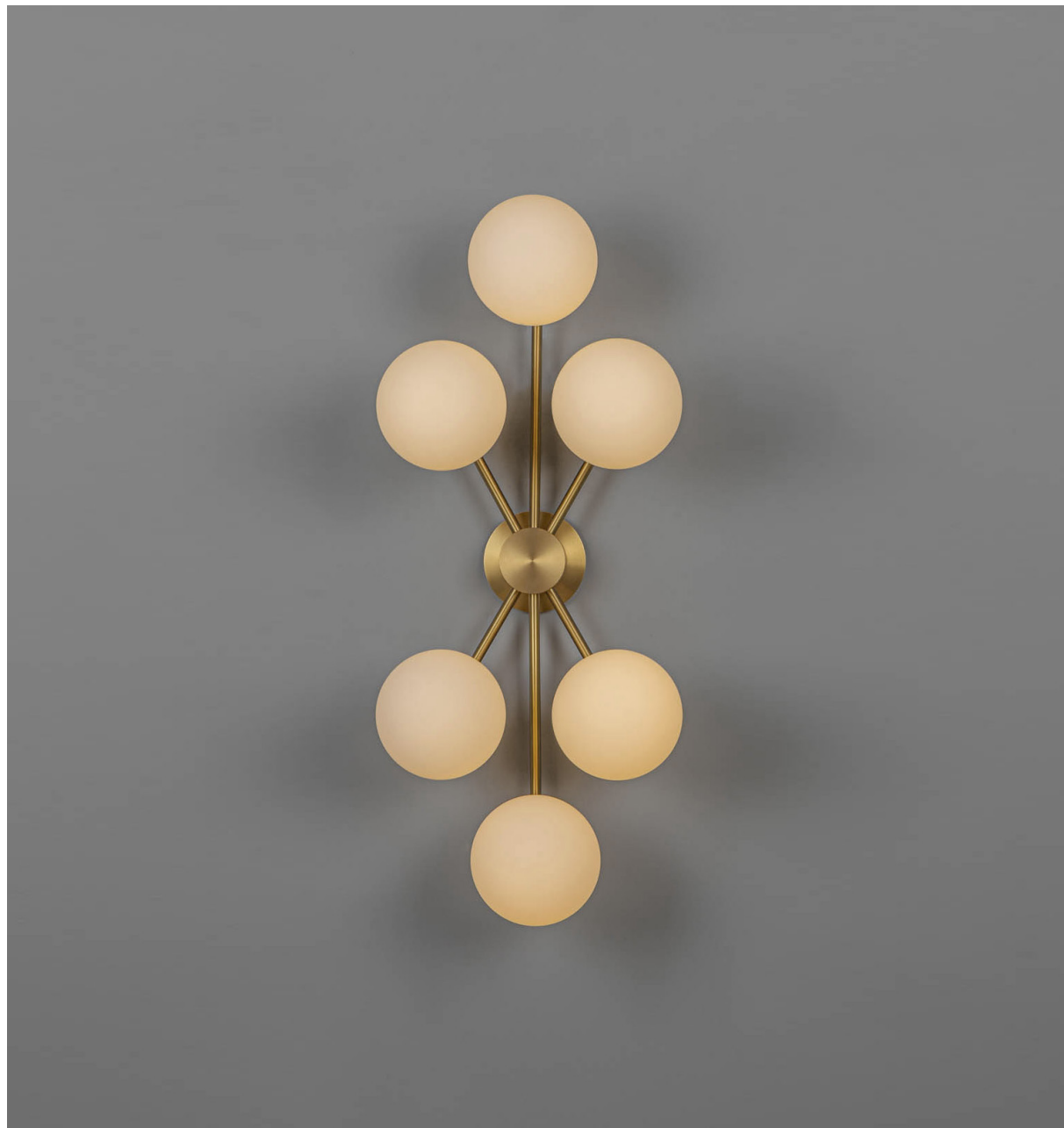
LBB / Lacquered Burnished Brass
 BGM / Black Gunmetal
 PN / Polished Nickel (extra charge of 25%)

CE/UL Certified

CE/UL

Ingress Protection

IP 20

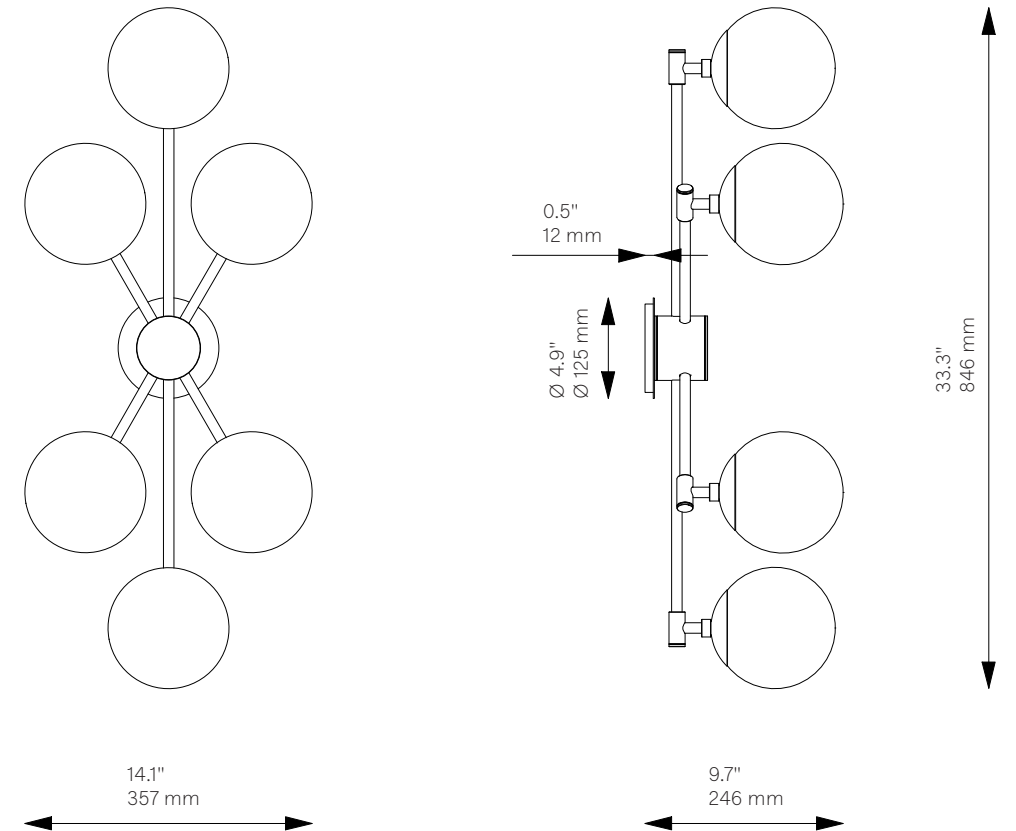


Orion 6

Flush Mount - B591

Globe Collection

Schwung Product Information



Glass Lampshades

6 x Ø 150 mm / Ø 5.9"

- ¹ Soda Lime Triplex Opal Matte Glass
- ² Soda Lime Marble Matte Glass
- ³ Borosilicate Transparent Ribbon Glass

Weight

6.5 kg / 14.3 lb

Light Source

| | |
|---------------------|----------------|
| LED Bulb (included) | 6 x 4-5 W |
| Max Wattage | 6 x 10 W |
| Total Lumens | 1320 lm |
| Color Temperature | 2200-3000 K |
| Bulb Base | E14 / E12 |
| Power Supply | 230/120V CE/UL |

Dimmable with electronic dimmers only (ELV, trailing edge)

Finishes

LBB / Lacquered Burnished Brass
 BGM / Black Gunmetal
 PN / Polished Nickel (extra charge of 25%)

Canopy (Vaulted Ceiling Compatible)

| | |
|----------|---------|
| Ø 125 mm | H 12 mm |
| Ø 4.9" | H 0.5" |

CE/UL Certified

CE/UL

Ingress Protection

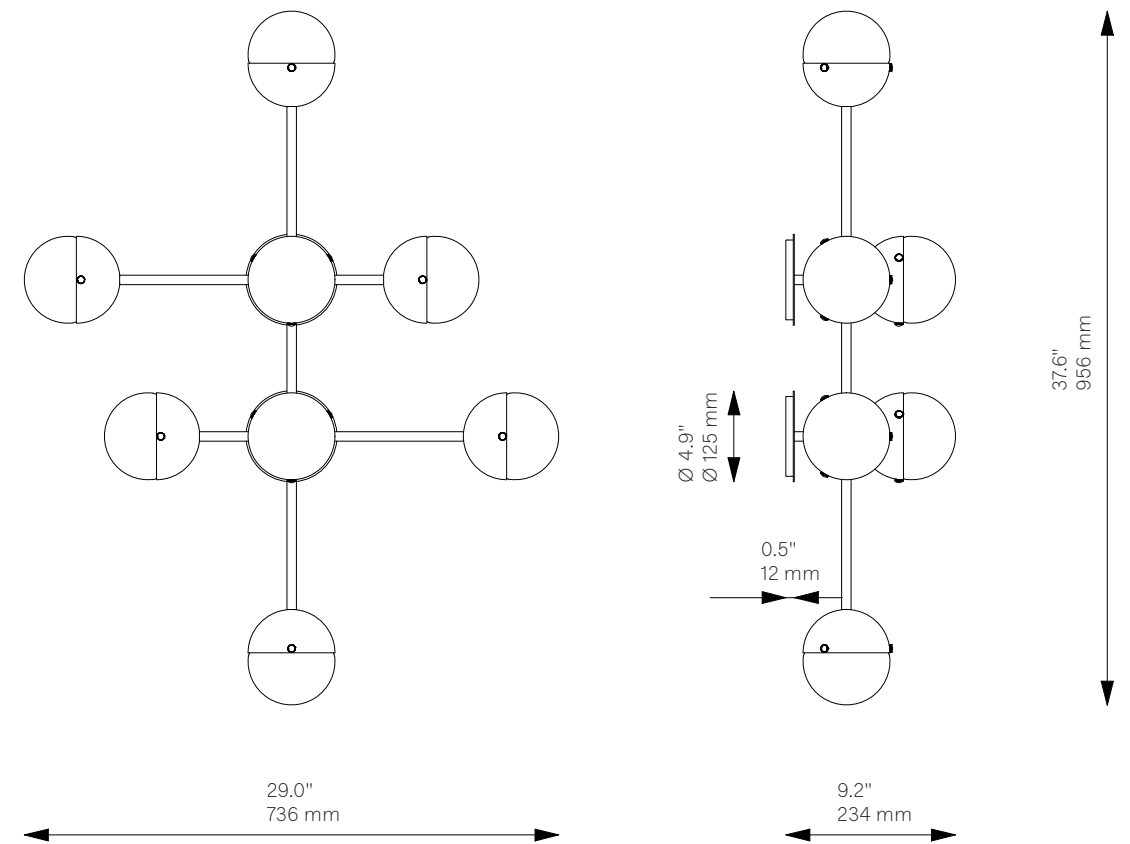
IP 20



Molecule 8

Flush Mount - B331

Molecule Collection



Glass Lampshades

8 x Ø 120 mm / Ø 4.7"

¹ Borosilicate Transparent Glass

² Borosilicate Sandblasted Glass

Weight

8.0 kg / 17.6 lb

Light Source

| | |
|---------------------|----------------|
| LED Bulb (included) | 8 x 3-4 W |
| Max Wattage | 8 x 10 W |
| Total Lumens | 1600 lm |
| Color Temperature | 2000-2800 K |
| Bulb Base | E27 / E26 |
| Power Supply | 230/120V CE/UL |

Dimmable with electronic dimmers only (ELV, trailing edge)

Finishes

LBB / Lacquered Burnished Brass
BGM / Black Gunmetal

CE/UL Certified

CE/UL

Ingress Protection

IP 20

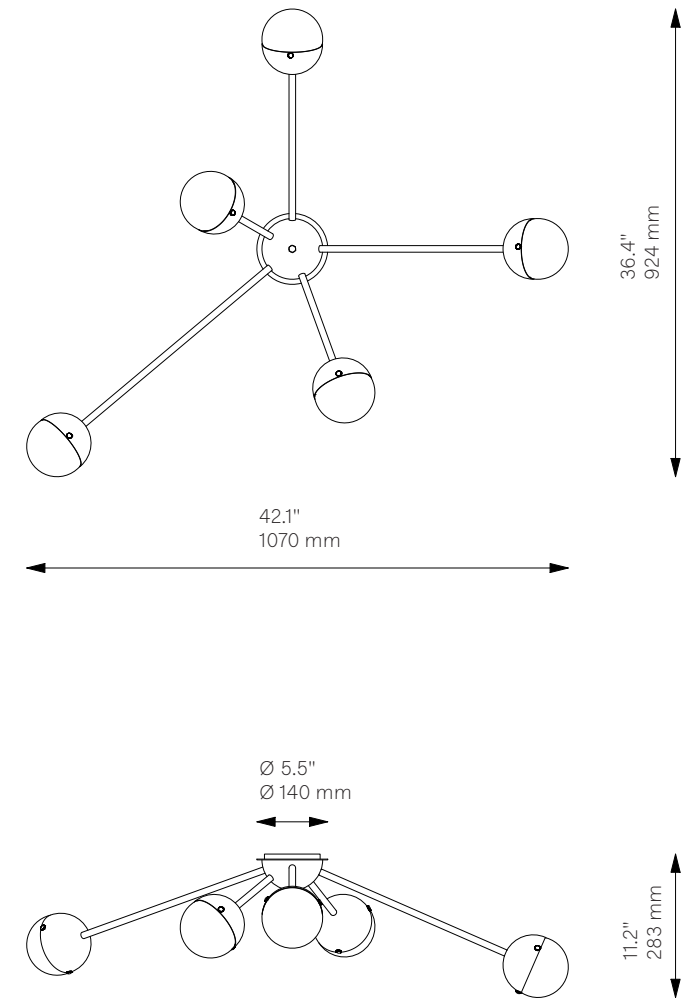


Molecule Spark

Flush Mount - B236

Molecule Collection

Schwung Product Information



Glass Lampshades

5 x Ø 120 mm / Ø 4.7"

¹ Borosilicate Transparent Glass

² Borosilicate Sandblasted Glass

Weight

5.6 kg / 12.3 lb

Light Source

| | |
|---------------------|----------------|
| LED Bulb (included) | 5 x 3-4 W |
| Max Wattage | 5 x 10 W |
| Total Lumens | 1000 lm |
| Color Temperature | 2000-2800 K |
| Bulb Base | E27 / E26 |
| Power Supply | 230/120V CE/UL |

Dimmable with electronic dimmers only (ELV, trailing edge)

Finishes

LBB / Lacquered Burnished Brass
BGM / Black Gunmetal

CE/UL Certified

CE/UL

Ingress Protection

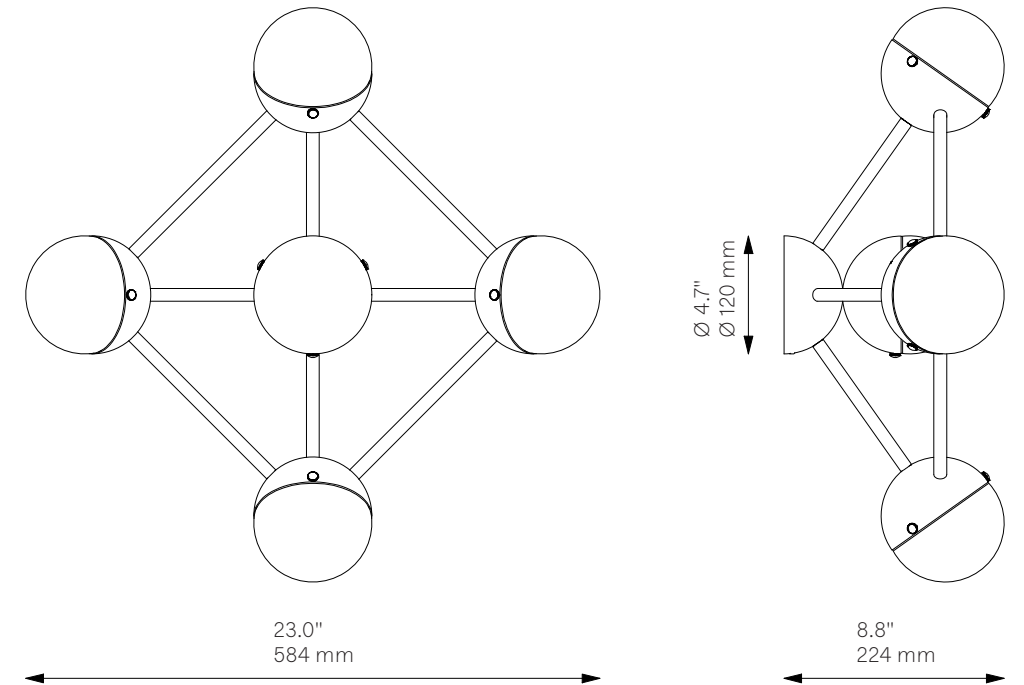
IP 20



Molecule 5

Flush Mount - B233

Molecule Collection



Glass Lampshades

5 x Ø 120 mm / Ø 4.7"

¹ Borosilicate Transparent Glass

² Borosilicate Sandblasted Glass

Weight

5.3 kg / 11.7 lb

Light Source

| | |
|---------------------|----------------|
| LED Bulb (included) | 5 x 3-4 W |
| Max Wattage | 5 x 10 W |
| Total Lumens | 1000 lm |
| Color Temperature | 2000-2800 K |
| Bulb Base | E27 / E26 |
| Power Supply | 230/120V CE/UL |

Dimmable with electronic dimmers only (ELV, trailing edge)

Finishes

LBB / Lacquered Burnished Brass
BGM / Black Gunmetal

CE/UL Certified

CE/UL

Ingress Protection

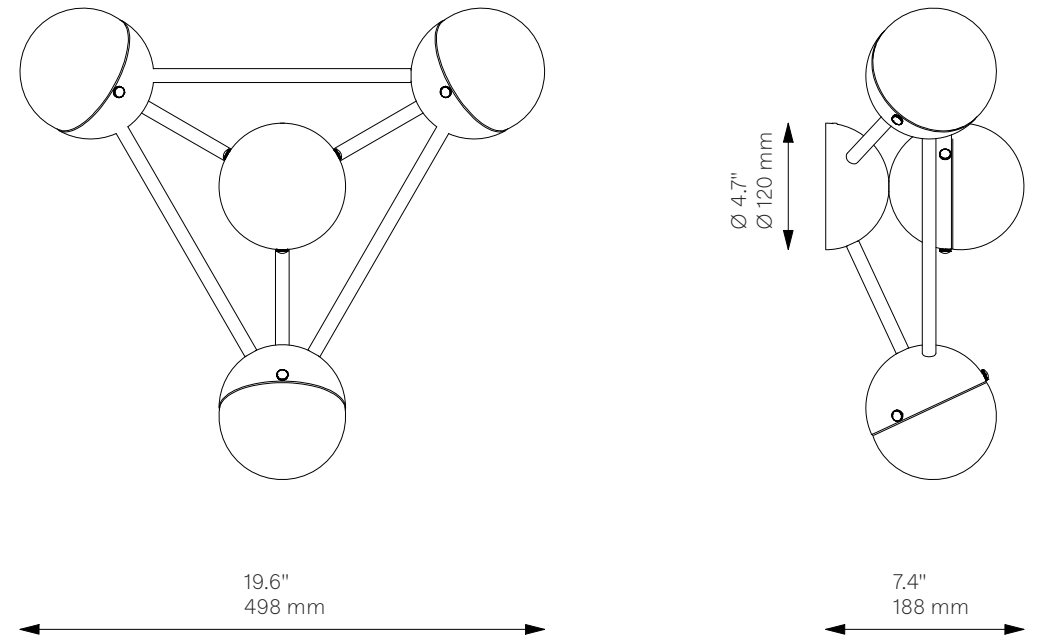
IP 20



Molecule 4

Flush Mount - B285

Molecule Collection



Glass Lampshades

4 x Ø 120 mm / Ø 4.7"

¹ Borosilicate Transparent Glass

² Borosilicate Sandblasted Glass

Weight

4.4 kg / 9.7 lb

Light Source

| | |
|---------------------|----------------|
| LED Bulb (included) | 4 x 3-4 W |
| Max Wattage | 4 x 10 W |
| Total Lumens | 800 lm |
| Color Temperature | 2000-2800 K |
| Bulb Base | E27 / E26 |
| Power Supply | 230/120V CE/UL |

Dimmable with electronic dimmers only (ELV, trailing edge)

Finishes

LBB / Lacquered Burnished Brass
BGM / Black Gunmetal

CE/UL Certified

CE/UL

Ingress Protection

IP 20

Wall



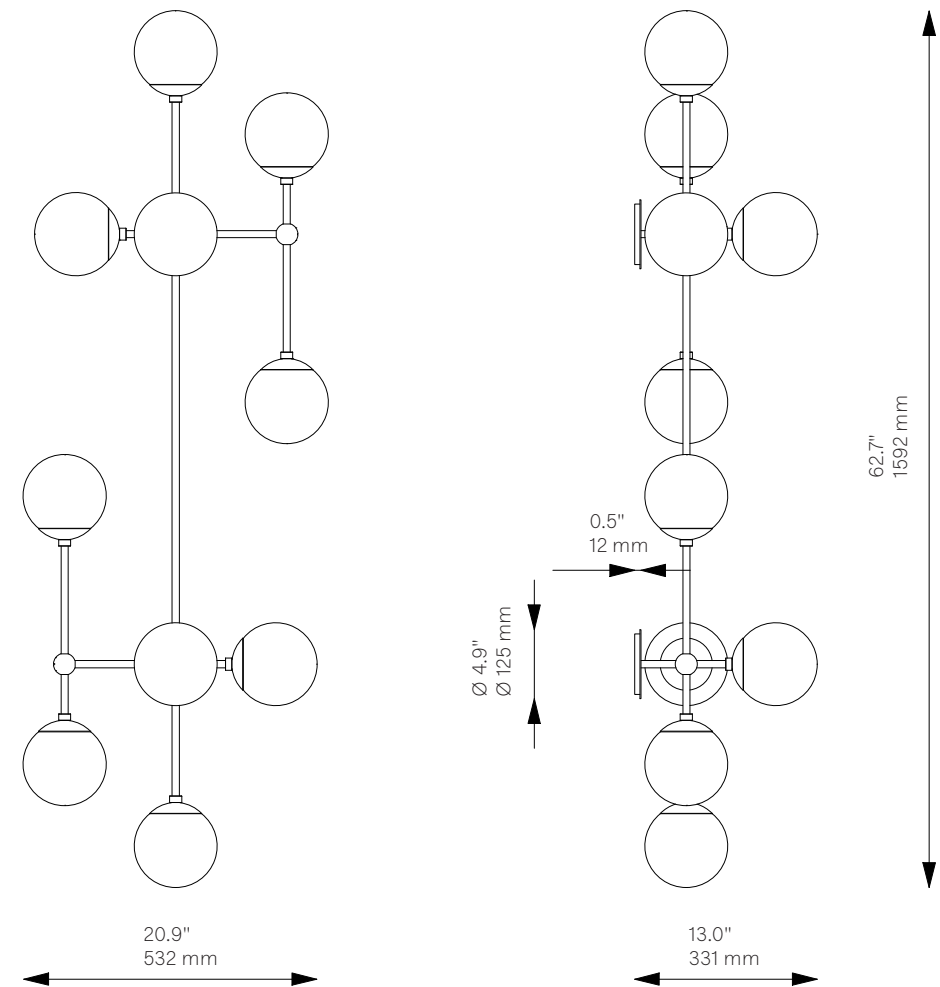


Armstrong

Wall Sconce - B571

Globe Collection

Schwung Product Information



Glass Lampshades

10 x Ø 150 mm / Ø 5.9"

- ¹ Soda Lime Triplex Opal Matte Glass
- ² Soda Lime Marble Matte Glass
- ³ Borosilicate Transparent Ribbon Glass

Weight

9.3 kg / 20.5 lb

Light Source

| | |
|---------------------|----------------|
| LED Bulb (included) | 10 x 4-5 W |
| Max Wattage | 10 x 10 W |
| Total Lumens | 2200 lm |
| Color Temperature | 2200k 3000 K |
| Bulb Base | E14 / E12 |
| Power Supply | 230/120V CE/UL |

Dimmable with electronic dimmers only (ELV, trailing edge)

Finishes

LBB / Lacquered Burnished Brass
 BGM / Black Gunmetal
 PN / Polished Nickel (extra charge of 25%)

CE/UL Certified

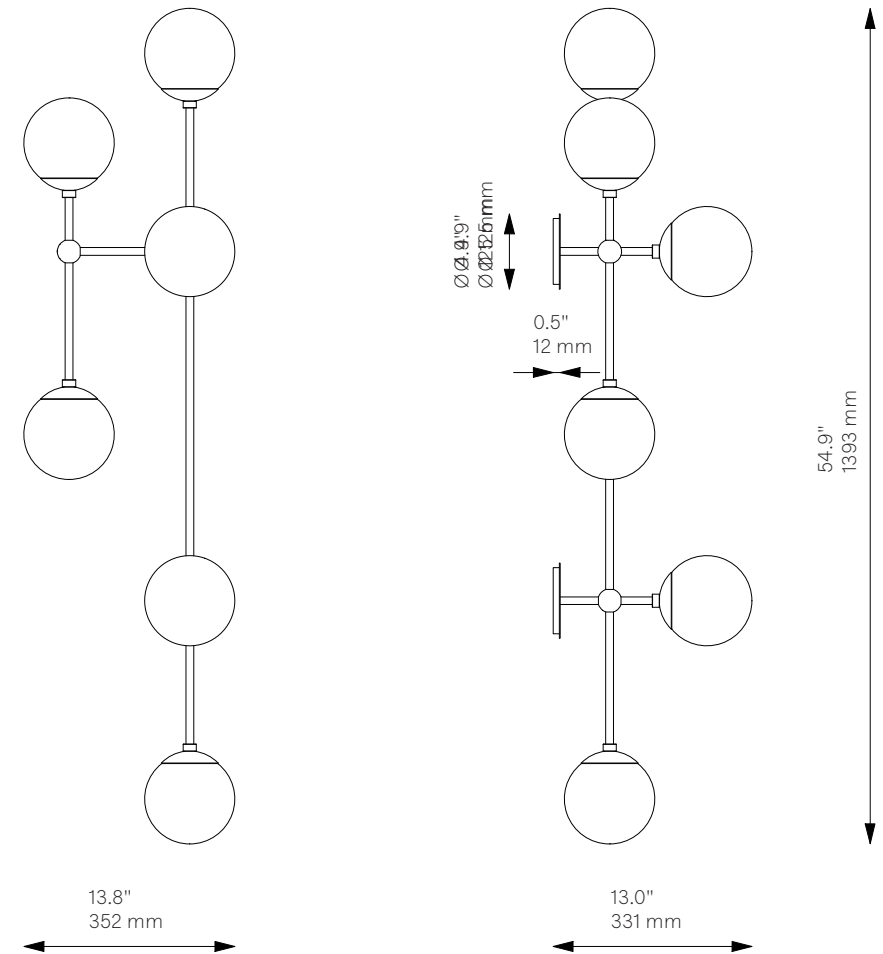
CE/UL

Ingress Protection

IP 20



Schwung Product Information



Armstrong 6 L

Wall Sconce - B573

Glass Lampshades

6 x Ø 150 mm / Ø 5.9"

- ¹ Soda Lime Triplex Opal Matte Glass
- ² Soda Lime Marble Matte Glass
- ³ Borosilicate Transparent Ribbon Glass

Weight

6.3 kg / 13.9 lb

Light Source

| | |
|---------------------|----------------|
| LED Bulb (included) | 6 x 4-5 W |
| Max Wattage | 6 x 10 W |
| Total Lumens | 1320 lm |
| Color Temperature | 2200-3000 K |
| Bulb Base | E14 / E12 |
| Power Supply | 230/120V CE/UL |

Dimmable with electronic dimmers only (ELV, trailing edge)

Finishes

LBB / Lacquered Burnished Brass
 BGM / Black Gunmetal
 PN / Polished Nickel (extra charge of 25%)

CE/UL Certified

CE/UL

Ingress Protection

IP 20

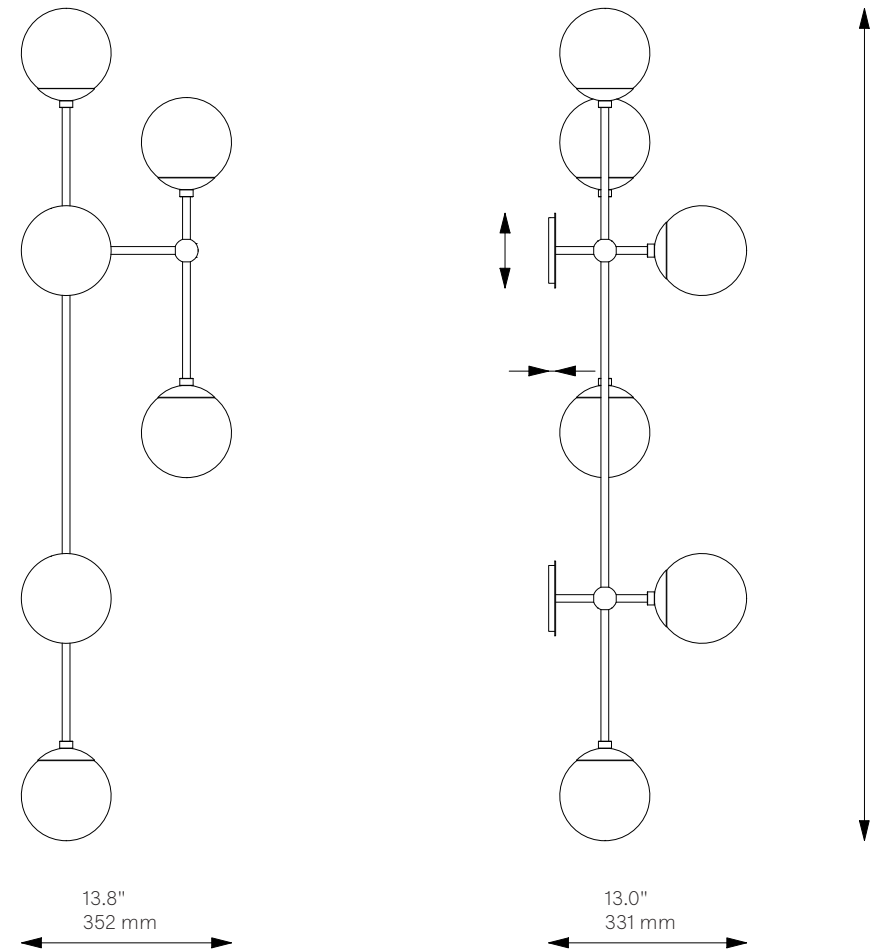


Armstrong 6 R

Wall Sconce - B610

Globe Collection

Schwung Product Information



Glass Lampshades

6 x Ø 150 mm / Ø 5.9"

- ¹ Soda Lime Triplex Opal Matte Glass
- ² Soda Lime Marble Matte Glass
- ³ Borosilicate Transparent Ribbon Glass

Weight

6.3 kg / 13.9 lb

Light Source

| | |
|---------------------|----------------|
| LED Bulb (included) | 6 x 4-5 W |
| Max Wattage | 6 x 10 W |
| Total Lumens | 1320 lm |
| Color Temperature | 2200-3000 K |
| Bulb Base | E14 / E12 |
| Power Supply | 230/120V CE/UL |

Dimmable with electronic dimmers only (ELV, trailing edge)

Finishes

LBB / Lacquered Burnished Brass
 BGM / Black Gunmetal
 PN / Polished Nickel (extra charge of 25%)

CE/UL Certified

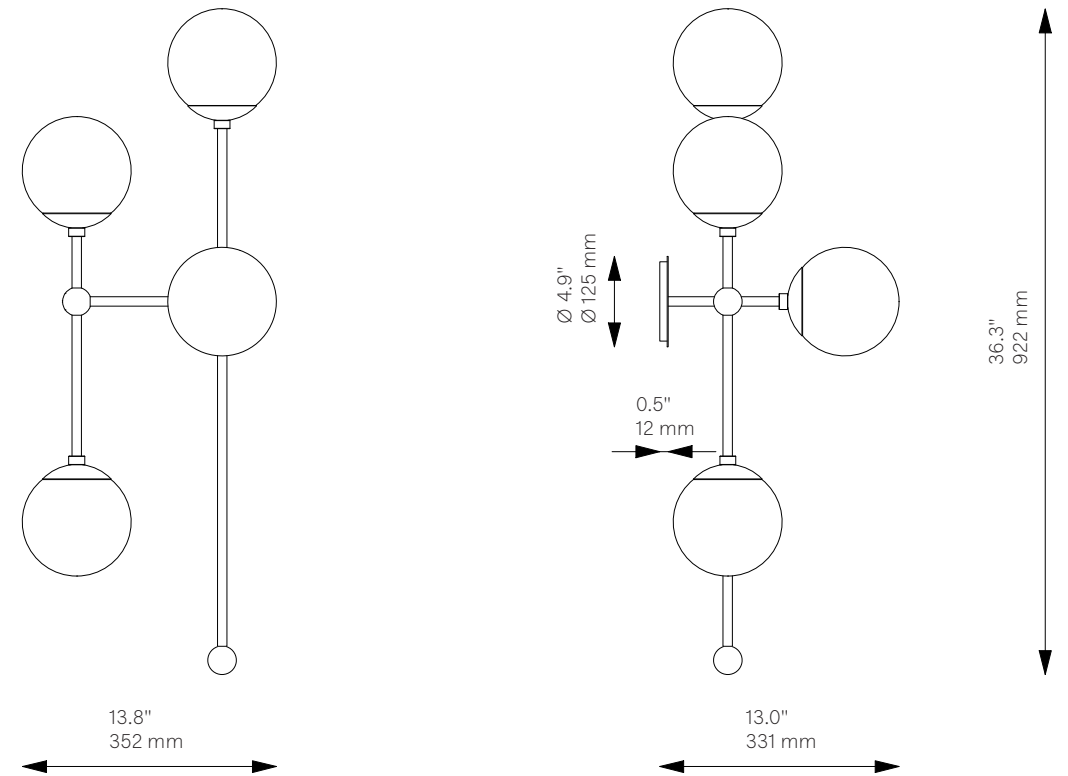
CE/UL

Ingress Protection

IP 20



Schwung Product Information



Armstrong 4 L

Wall Sconce - B572

Glass Lampshades

4 x Ø 150 mm / Ø 5.9"

- ¹ Soda Lime Triplex Opal Matte Glass
- ² Soda Lime Marble Matte Glass
- ³ Borosilicate Transparent Ribbon Glass

Weight

4.3 kg / 9.4 lb

Light Source

| | |
|---------------------|----------------|
| LED Bulb (included) | 4 x 5 W |
| Max Wattage | 4 x 10 W |
| Total Lumens | 880 lm |
| Color Temperature | 2200-3000 K |
| Bulb Base | E14 / E12 |
| Power Supply | 230/120V CE/UL |

Dimmable with electronic dimmers only (ELV, trailing edge)

Finishes

LBB / Lacquered Burnished Brass
 BGM / Black Gunmetal
 PN / Polished Nickel (extra charge of 25%)

CE/UL Certified

CE/UL

Ingress Protection

IP 20

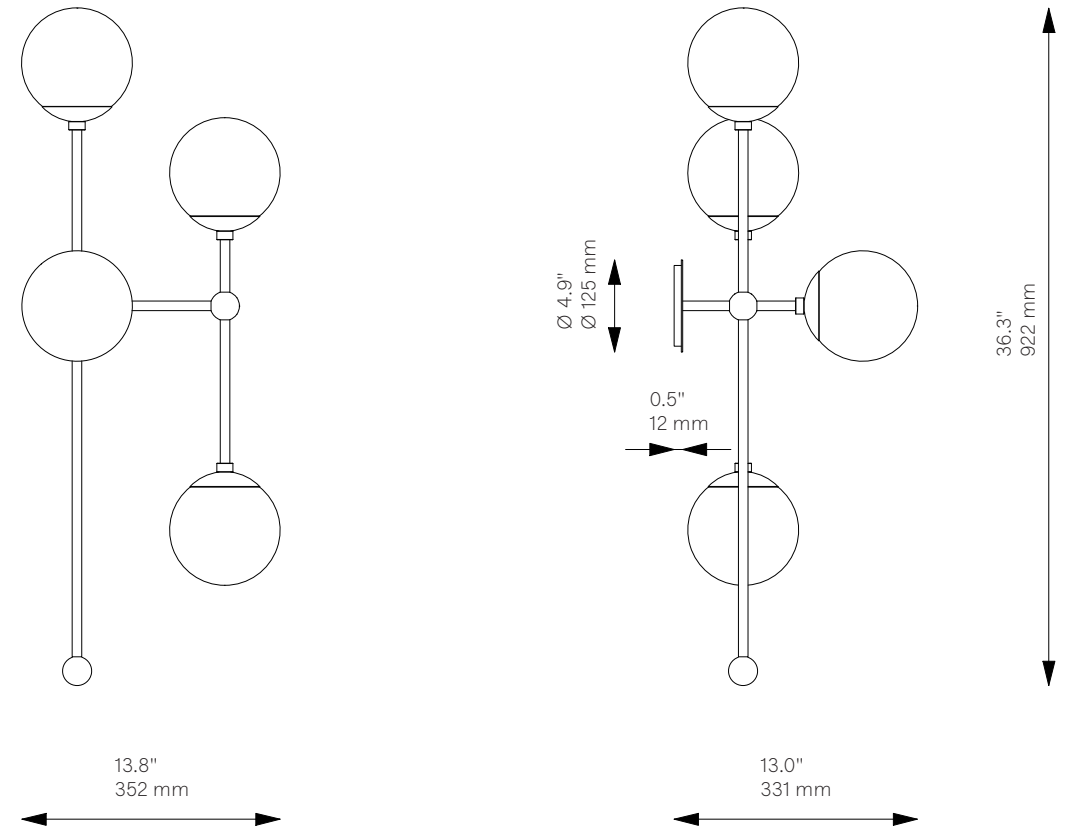


Armstrong 4 R

Wall Sconce - B609

Globe Collection

Schwung Product Information



Glass Lampshades

4 x Ø 150 mm / Ø 5.9"

- ¹ Soda Lime Triplex Opal Matte Glass
- ² Soda Lime Marble Matte Glass
- ³ Borosilicate Transparent Ribbon Glass

Weight

4.3 kg / 9.5 lb

Light Source

| | |
|---------------------|----------------|
| LED Bulb (included) | 4 x 4-5 W |
| Max Wattage | 4 x 10 W |
| Total Lumens | 880 lm |
| Color Temperature | 2200-3000 K |
| Bulb Base | E14 / E12 |
| Power Supply | 230/120V CE/UL |

Dimmable with electronic dimmers only (ELV, trailing edge)

Finishes

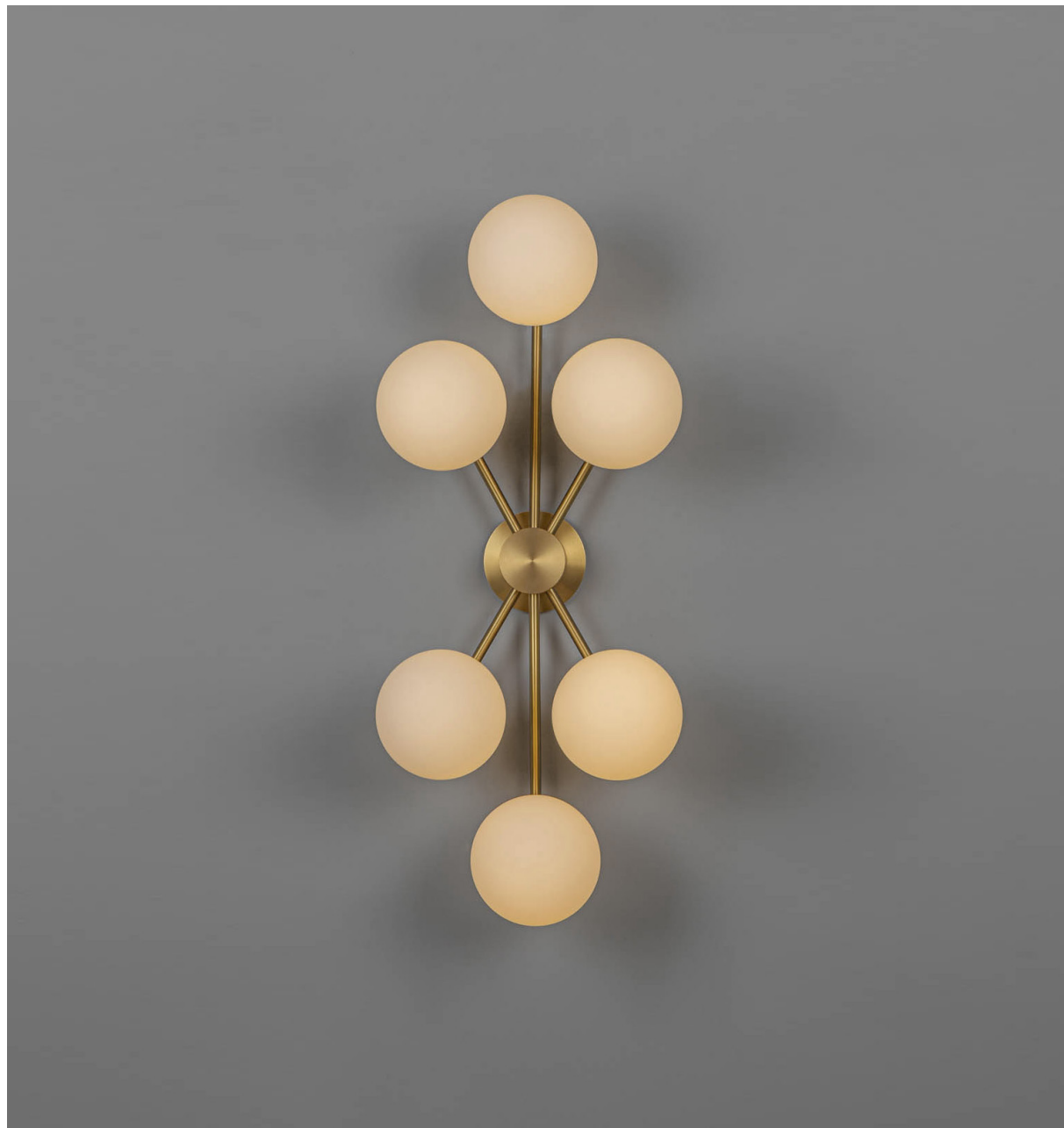
LBB / Lacquered Burnished Brass
 BGM / Black Gunmetal
 PN / Polished Nickel (extra charge of 25%)

CE/UL Certified

CE/UL

Ingress Protection

IP 20

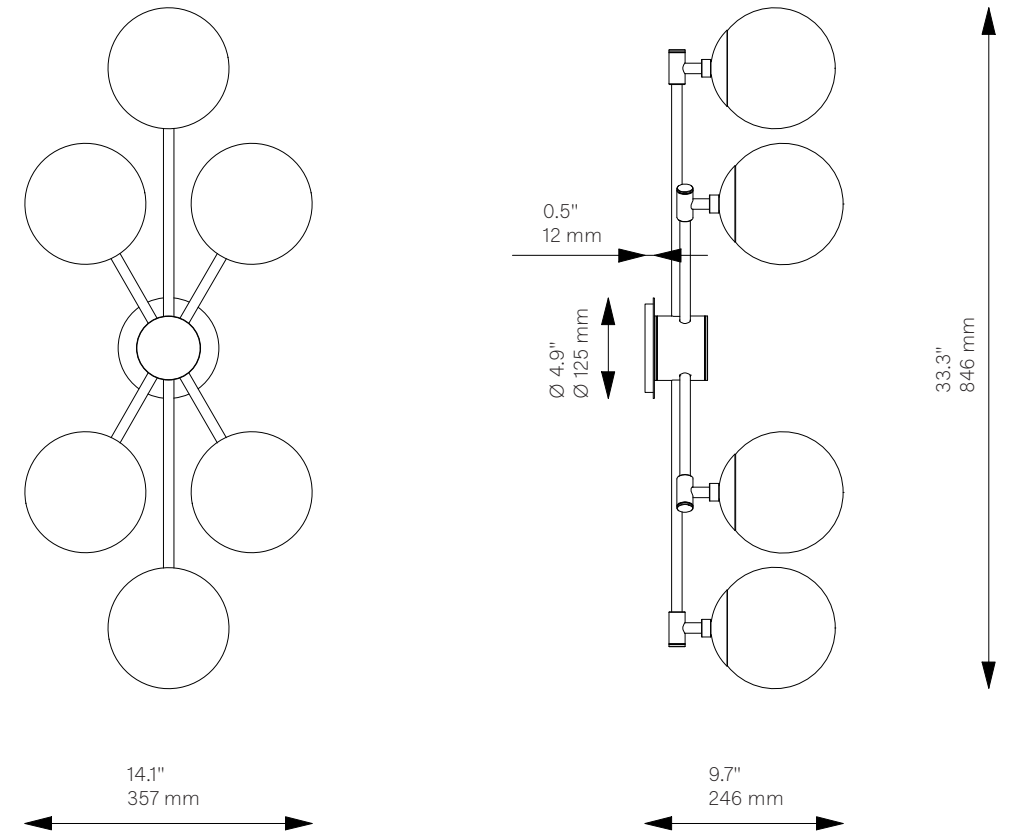


Orion 6

Wall Sconce - B591

Globe Collection

Schwung Product Information



Glass Lampshades

6 x Ø 150 mm / Ø 5.9"

- ¹ Soda Lime Triplex Opal Matte Glass
- ² Soda Lime Marble Matte Glass
- ³ Borosilicate Transparent Ribbon Glass

Weight

6.5 kg / 14.3 lb

Light Source

| | |
|---------------------|----------------|
| LED Bulb (included) | 6 x 4-5 W |
| Max Wattage | 6 x 10 W |
| Total Lumens | 1320 lm |
| Color Temperature | 2200-3000 K |
| Bulb Base | E14 / E12 |
| Power Supply | 230/120V CE/UL |

Dimmable with electronic dimmers only (ELV, trailing edge)

Finishes

LBB / Lacquered Burnished Brass
 BGM / Black Gunmetal
 PN / Polished Nickel (extra charge of 25%)

Canopy (Vaulted Ceiling Compatible)

| | |
|----------|---------|
| Ø 125 mm | H 12 mm |
| Ø 4.9" | H 0.5" |

CE/UL Certified

CE/UL

Ingress Protection

IP 20

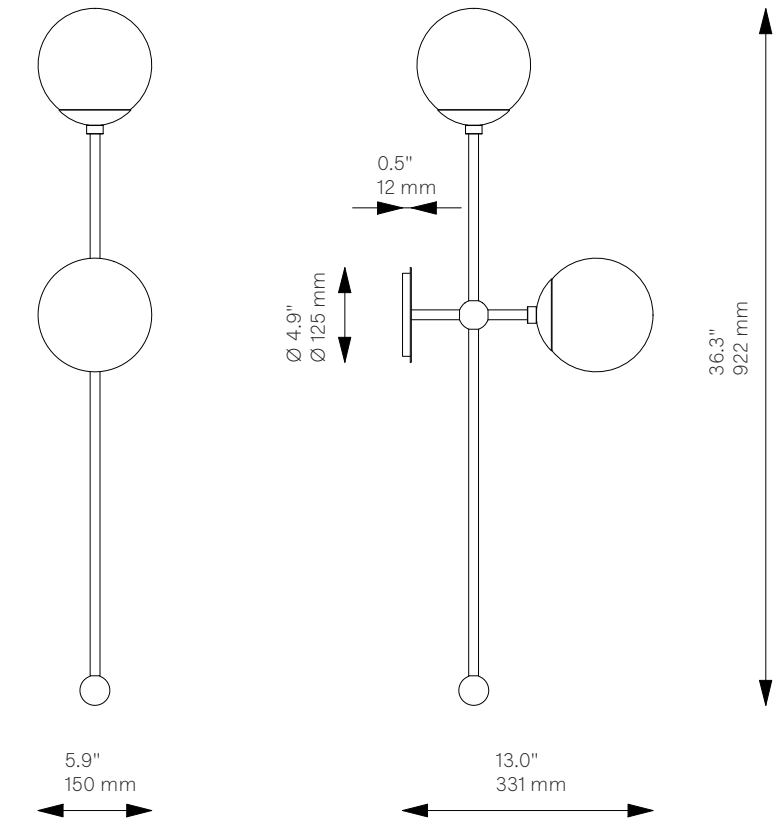


Globe Dual

Wall Sconce - B577

Globe Collection

Schwung Product Information



Glass Lampshades

2 x Ø 150 mm / Ø 5.9"

¹ Soda Lime Triplex Opal Matte Glass

² Soda Lime Marble Matte Glass

³ Borosilicate Transparent Ribbon Glass

Weight

2.7 kg / 5.9 lb

Light Source

| | |
|---------------------|----------------|
| LED Bulb (included) | 2 x 4-5 W |
| Max Wattage | 2 x 10 W |
| Total Lumens | 440 lm |
| Color Temperature | 2200-3000 K |
| Bulb Base | E14 / E12 |
| Power Supply | 230/120V CE/UL |

Dimmable with electronic dimmers only (ELV, trailing edge)

Finishes

LBB / Lacquered Burnished Brass

BGM / Black Gunmetal

PN / Polished Nickel (extra charge of 25%)

CE/UL Certified

CE/UL

Ingress Protection

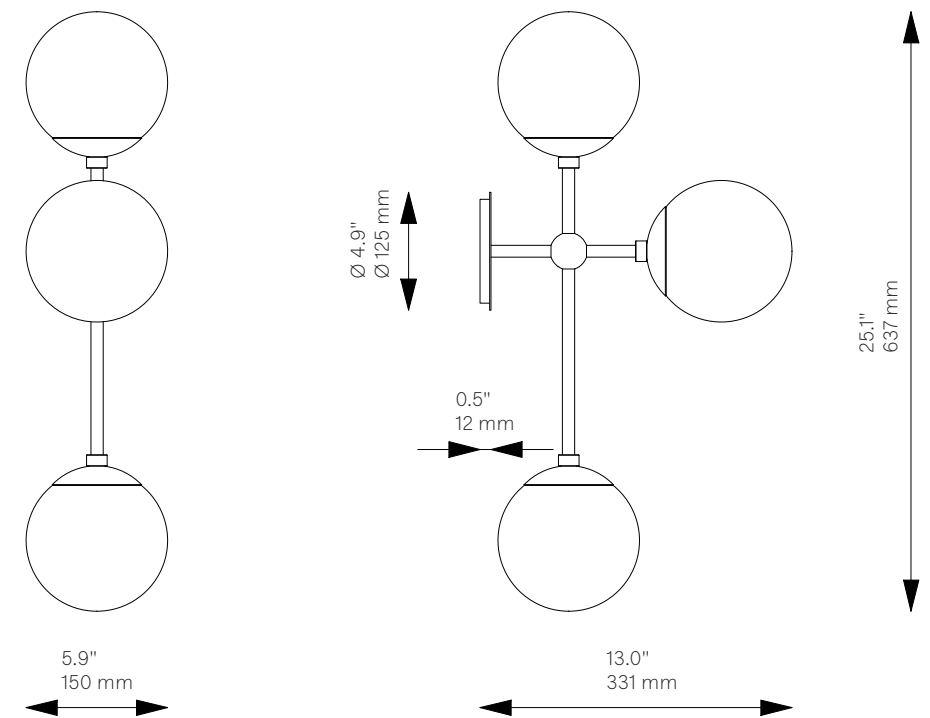
IP 20



Armstrong Triple

Wall Sconce - B574

Globe Collection



Glass Lampshades

3 x Ø 150 mm / Ø 5.9"

- ¹ Soda Lime Triplex Opal Matte Glass
- ² Soda Lime Marble Matte Glass
- ³ Borosilicate Transparent Ribbon Glass

Weight

2.8 kg / 6.2 lb

Light Source

| | |
|---------------------|----------------|
| LED Bulb (included) | 3 x 4-5 W |
| Max Wattage | 3 x 10 W |
| Total Lumens | 660 lm |
| Color Temperature | 2200-3000 K |
| Bulb Base | E14 / E12 |
| Power Supply | 230/120V CE/UL |

Dimmable with electronic dimmers only (ELV, trailing edge)

Finishes

LBB / Lacquered Burnished Brass
 BGM / Black Gunmetal
 PN / Polished Nickel (extra charge of 25%)

CE/UL Certified

CE/UL

Ingress Protection

IP 20

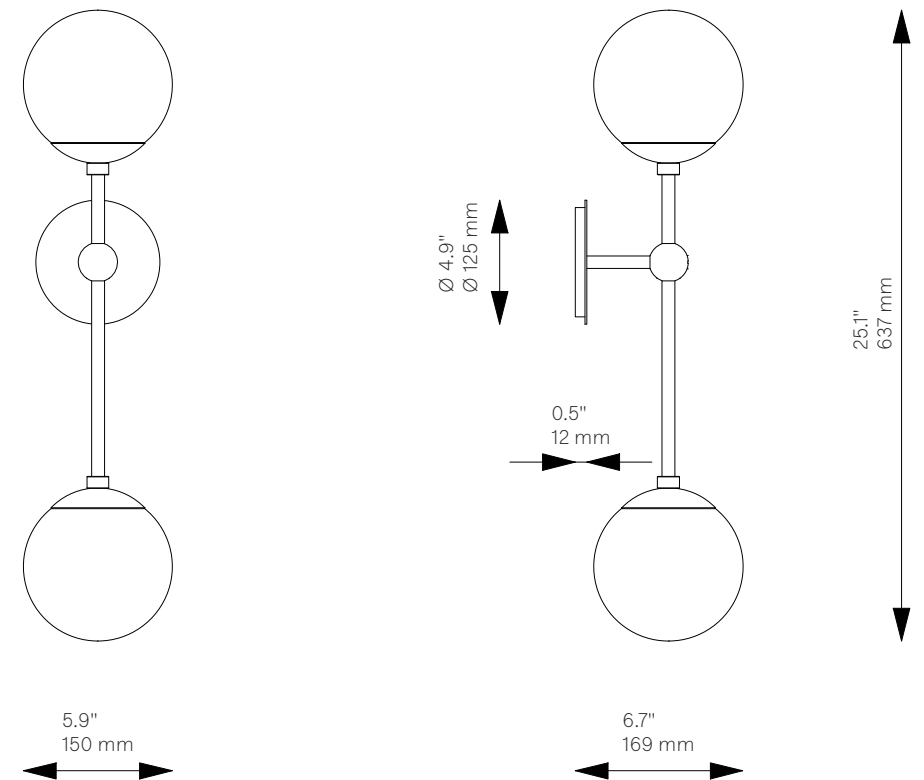


Armstrong Dual

Wall Sconce - B575

Globe Collection

Schwung Product Information



Glass Lampshades

2 x Ø 150 mm / Ø 5.9"

¹ Soda Lime Triplex Opal Matte Glass

² Soda Lime Marble Matte Glass

³ Borosilicate Transparent Ribbon Glass

Weight

2.2 kg / 4.8 lb

Light Source

| | |
|---------------------|----------------|
| LED Bulb (included) | 2 x 4-5 W |
| Max Wattage | 2 x 10 W |
| Total Lumens | 440 lm |
| Color Temperature | 2200-3000 K |
| Bulb Base | E14 / E12 |
| Power Supply | 230/120V CE/UL |

Dimmable with electronic dimmers only (ELV, trailing edge)

Finishes

LBB / Lacquered Burnished Brass

BGM / Black Gunmetal

PN / Polished Nickel (extra charge of 25%)

CE/UL Certified

CE/UL

Ingress Protection

IP 20

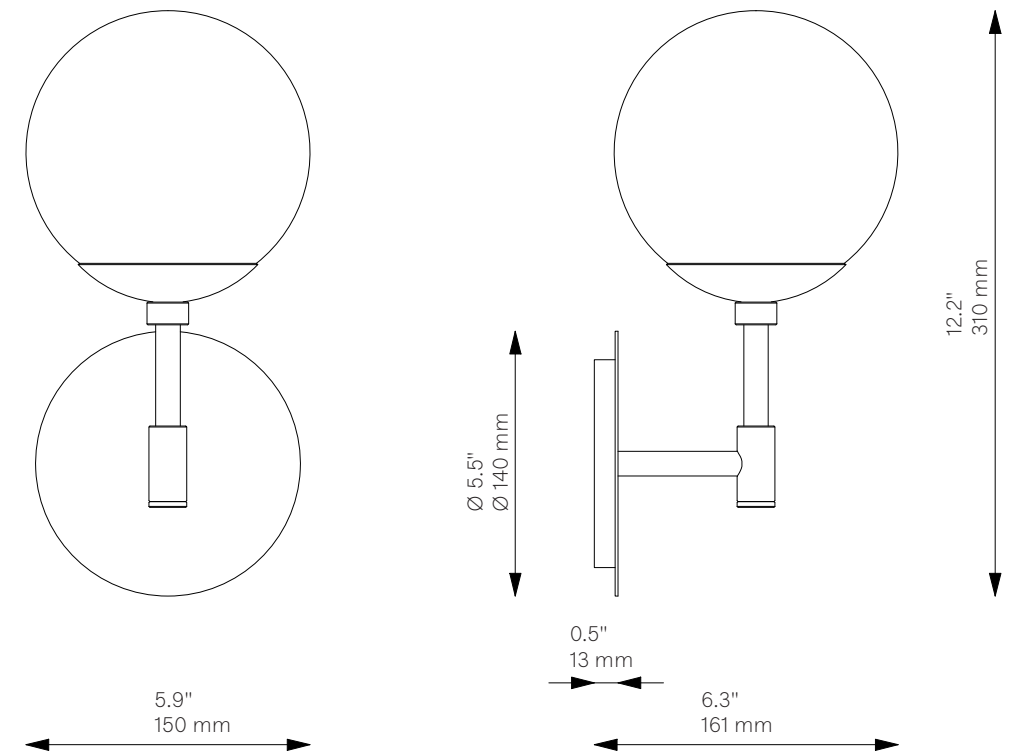


Sunset

Wall Sconce - B647

Globe Collection

Schwung Product Information



Glass Lampshades

1 x Ø 150 mm / Ø 5.9"

¹ Soda Lime Triplex Opal Matte Glass

² Soda Lime Marble Matte Glass

³ Borosilicate Transparent Ribbon Glass

Weight

1.5 kg / 3.3 lb

Light Source

| | |
|---------------------|----------------|
| LED Bulb (included) | 1 x 4-5 W |
| Max Wattage | 1 x 10 W |
| Total Lumens | 220 lm |
| Color Temperature | 2200-3000 K |
| Bulb Base | E14 / E12 |
| Power Supply | 230/120V CE/UL |

Dimmable with electronic dimmers only (ELV, trailing edge)

Finishes

LBB / Lacquered Burnished Brass

BGM / Black Gunmetal

PN / Polished Nickel (extra charge of 25%)

Versatile Arm Positioning

Upright & Downwards

CE/UL Certified

CE/UL

Ingress Protection

IP 20

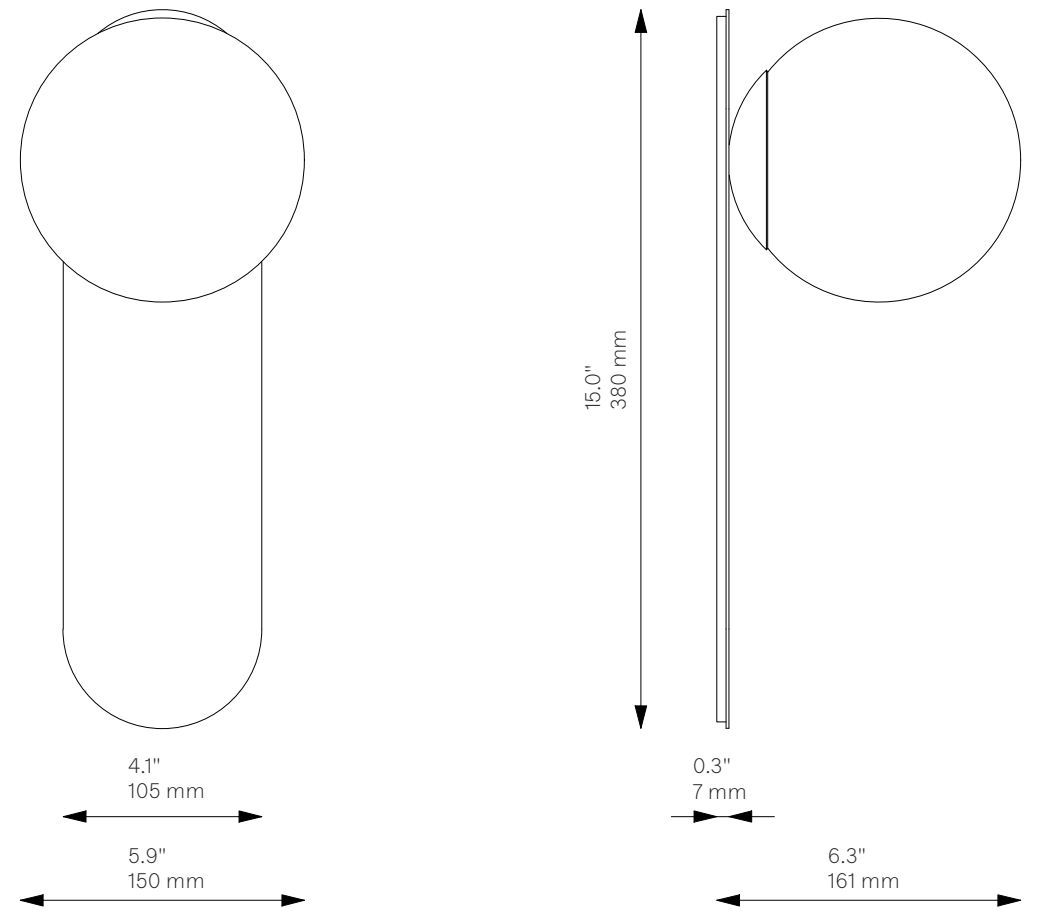


Adrion LG

Wall Sconce - B653

Globe Collection

Schwung Product Information



Glass Lampshades

1 x Ø 150 mm / Ø 5.9"

¹ Soda Lime Triplex Opal Matte Glass

² Soda Lime Marble Matte Glass

³ Borosilicate Transparent Ribbon Glass

Weight

2.6 kg / 5.7 lb

Light Source

| | |
|---------------------|----------------|
| LED Bulb (included) | 1 x 4-5 W |
| Max Wattage | 1 x 10 W |
| Total Lumens | 220 lm |
| Color Temperature | 2200-3000 K |
| Bulb Base | E14 / E12 |
| Power Supply | 230/120V CE/UL |

Dimmable with electronic dimmers only (ELV, trailing edge)

Finishes

LBB / Lacquered Burnished Brass
 BGM / Black Gunmetal
 PN / Polished Nickel (extra charge of 25%)

CE/UL Certified

CE/UL

Ingress Protection

IP 20

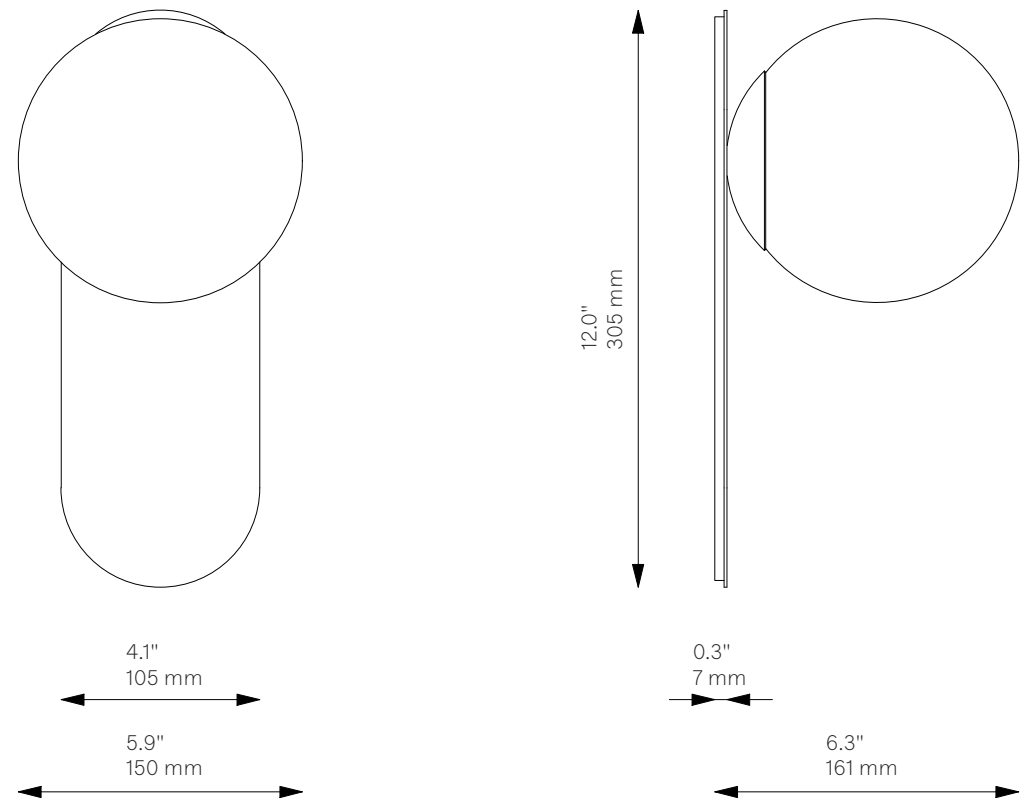


Adrion MD

Wall Sconce - B652

Globe Collection

Schwung Product Information



Glass Lampshades

1 x Ø 150 mm / Ø 5.9"

¹ Soda Lime Triplex Opal Matte Glass

² Soda Lime Marble Matte Glass

³ Borosilicate Transparent Ribbon Glass

Weight

2.2 kg / 4.8 lb

Light Source

| | |
|---------------------|----------------|
| LED Bulb (included) | 1 x 4-5 W |
| Max Wattage | 1 x 10 W |
| Total Lumens | 220 lm |
| Color Temperature | 2200-3000 K |
| Bulb Base | E14 / E12 |
| Power Supply | 230/120V CE/UL |

Dimmable with electronic dimmers only (ELV, trailing edge)

Finishes

LBB / Lacquered Burnished Brass
 BGM / Black Gunmetal
 PN / Polished Nickel (extra charge of 25%)

CE/UL Certified

CE/UL

Ingress Protection

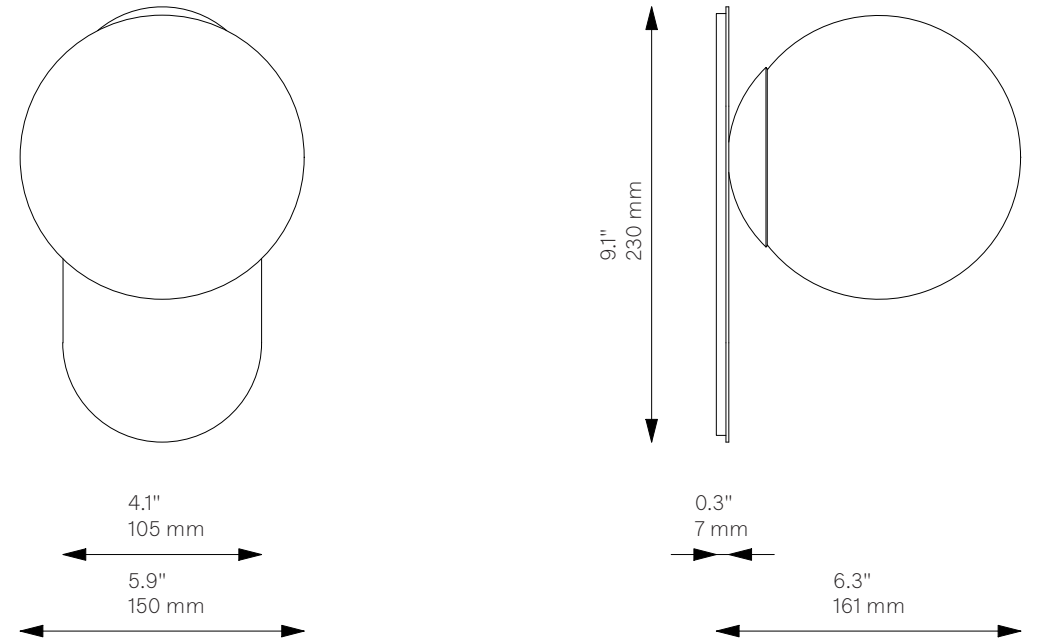
IP 20



Adrion SM

Wall Sconce - B651

Globe Collection



Glass Lampshades

1 x Ø 150 mm / Ø 5.9"

¹ Soda Lime Triplex Opal Matte Glass

² Soda Lime Marble Matte Glass

³ Borosilicate Transparent Ribbon Glass

Weight

1.7 kg / 3.7 lb

Light Source

| | |
|---------------------|----------------|
| LED Bulb (included) | 1 x 4-5 W |
| Max Wattage | 1 x 10 W |
| Total Lumens | 220 lm |
| Color Temperature | 2200-3000 K |
| Bulb Base | E14 / E12 |
| Power Supply | 230/120V CE/UL |

Dimmable with electronic dimmers only (ELV, trailing edge)

Finishes

LBB / Lacquered Burnished Brass

BGM / Black Gunmetal

PN / Polished Nickel (extra charge of 25%)

CE/UL Certified

CE/UL

Ingress Protection

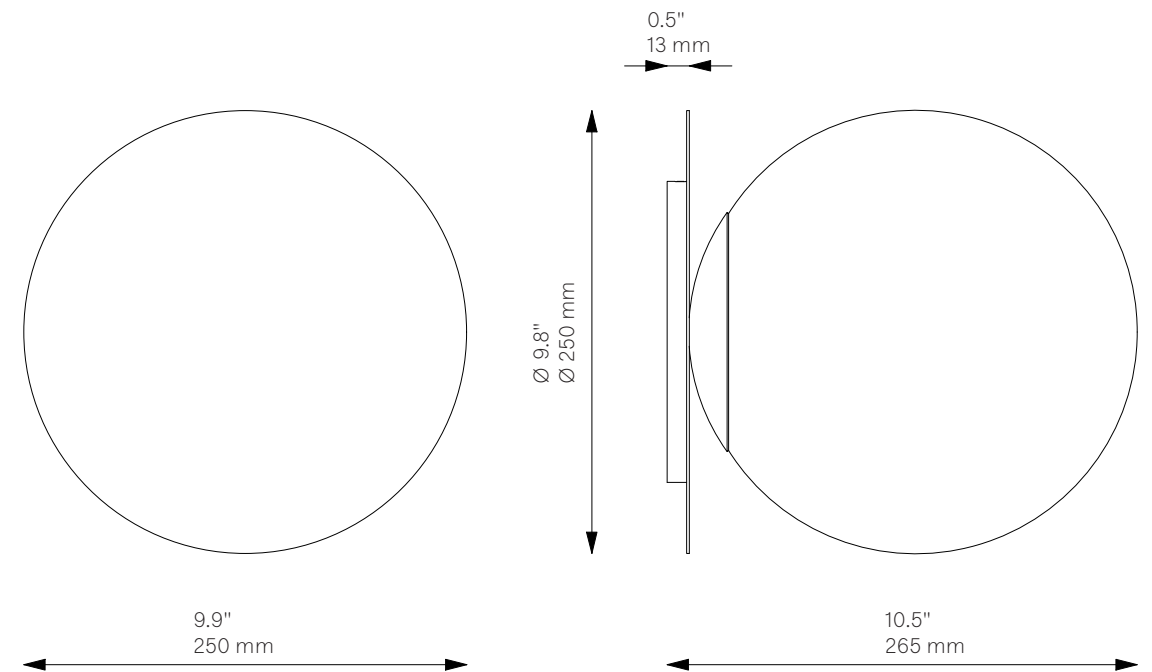
IP 20



Pulsar 250

Wall Sconce - B650

Globe Collection



Glass Lampshades

1 x Ø 250 mm / Ø 9.9"

¹ Soda Lime Triplex Opal Matte Glass

² Soda Lime Marble Matte Glass

³ Borosilicate Transparent Ribbon Glass

Weight

3.7 kg / 8.1 lb

Light Source

| | |
|---------------------|----------------|
| LED Bulb (included) | 1 x 4-5 W |
| Max Wattage | 1 x 10 W |
| Total Lumens | 220 lm |
| Color Temperature | 2200-3000 K |
| Bulb Base | E14 / E12 |
| Power Supply | 230/120V CE/UL |

Dimmable with electronic dimmers only (ELV, trailing edge)

Finishes

LBB / Lacquered Burnished Brass
 BGM / Black Gunmetal
 PN / Polished Nickel (extra charge of 25%)

Canopy (Vaulted Ceiling Compatible)

| | |
|----------|---------|
| Ø 250 mm | H 13 mm |
| Ø 9.9" | H 0.5" |

CE/UL Certified

CE/UL

Ingress Protection

IP 20

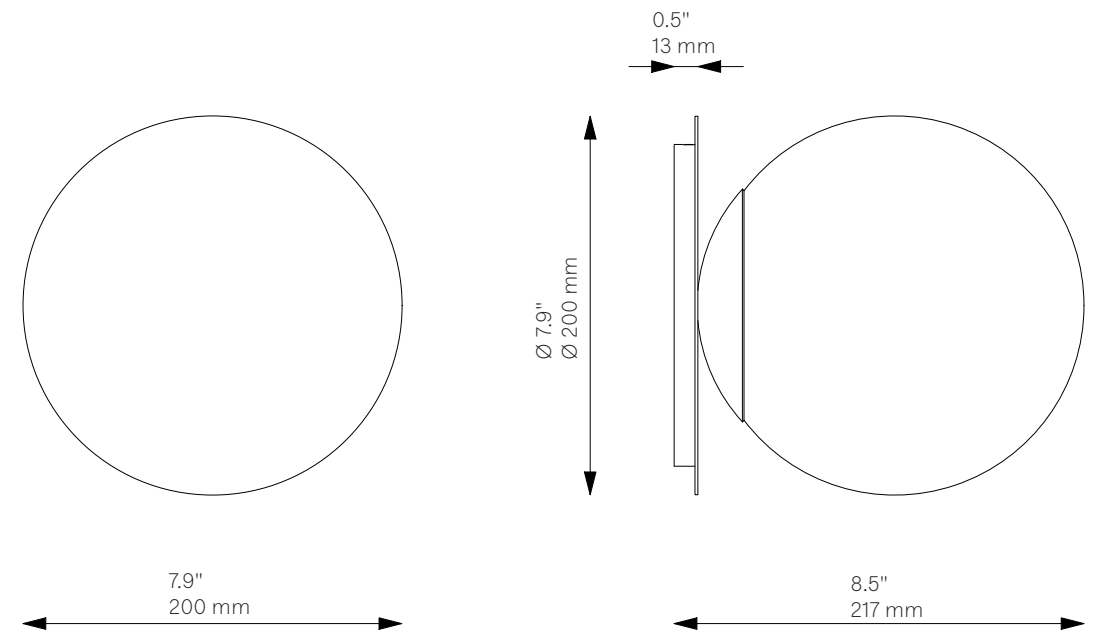


Pulsar 200

Wall Sconce - B649

Globe Collection

Schwung Product Information



Glass Lampshades

1 x Ø 200 mm / Ø 7.9"

¹ Soda Lime Triplex Opal Matte Glass

² Soda Lime Marble Matte Glass

³ Borosilicate Transparent Ribbon Glass

Weight

2.9 kg / 6.4 lb

Light Source

| | |
|---------------------|----------------|
| LED Bulb (included) | 1 x 4-5 W |
| Max Wattage | 1 x 10 W |
| Total Lumens | 220 lm |
| Color Temperature | 2200-3000 K |
| Bulb Base | E14 / E12 |
| Power Supply | 230/120V CE/UL |

Dimmable with electronic dimmers only (ELV, trailing edge)

Finishes

LBB / Lacquered Burnished Brass
 BGM / Black Gunmetal
 PN / Polished Nickel (extra charge of 25%)

Canopy (Vaulted Ceiling Compatible)

| | |
|----------|---------|
| Ø 200 mm | H 13 mm |
| Ø 7.9" | H 0.5" |

CE/UL Certified

CE/UL

Ingress Protection

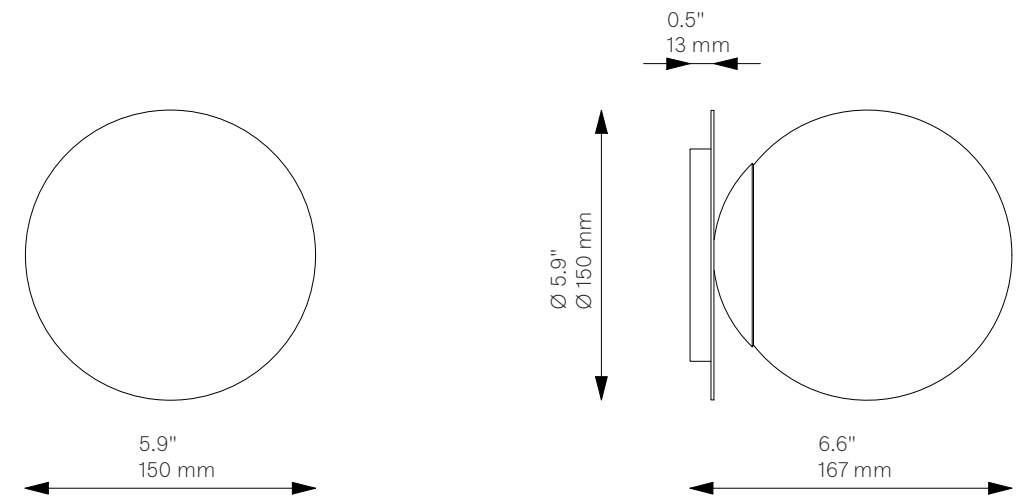
IP 20



Pulsar 150

Wall Sconce - B648

Globe Collection



Glass Lampshades

1 x Ø 150 mm / Ø 5.9"

¹ Soda Lime Triplex Opal Matte Glass

² Soda Lime Marble Matte Glass

³ Borosilicate Transparent Ribbon Glass

Weight

1.3 kg / 2.8 lb

Light Source

| | |
|---------------------|----------------|
| LED Bulb (included) | 1 x 4-5 W |
| Max Wattage | 1 x 10 W |
| Total Lumens | 220 lm |
| Color Temperature | 2200-3000 K |
| Bulb Base | E14 / E12 |
| Power Supply | 230/120V CE/UL |

Dimmable with electronic dimmers only (ELV, trailing edge)

Finishes

LBB / Lacquered Burnished Brass
 BGM / Black Gunmetal
 PN / Polished Nickel (extra charge of 25%)

Canopy (Vaulted Ceiling Compatible)

| | |
|----------|---------|
| Ø 150 mm | H 13 mm |
| Ø 5.9" | H 0.5" |

CE/UL Certified

CE/UL

Ingress Protection

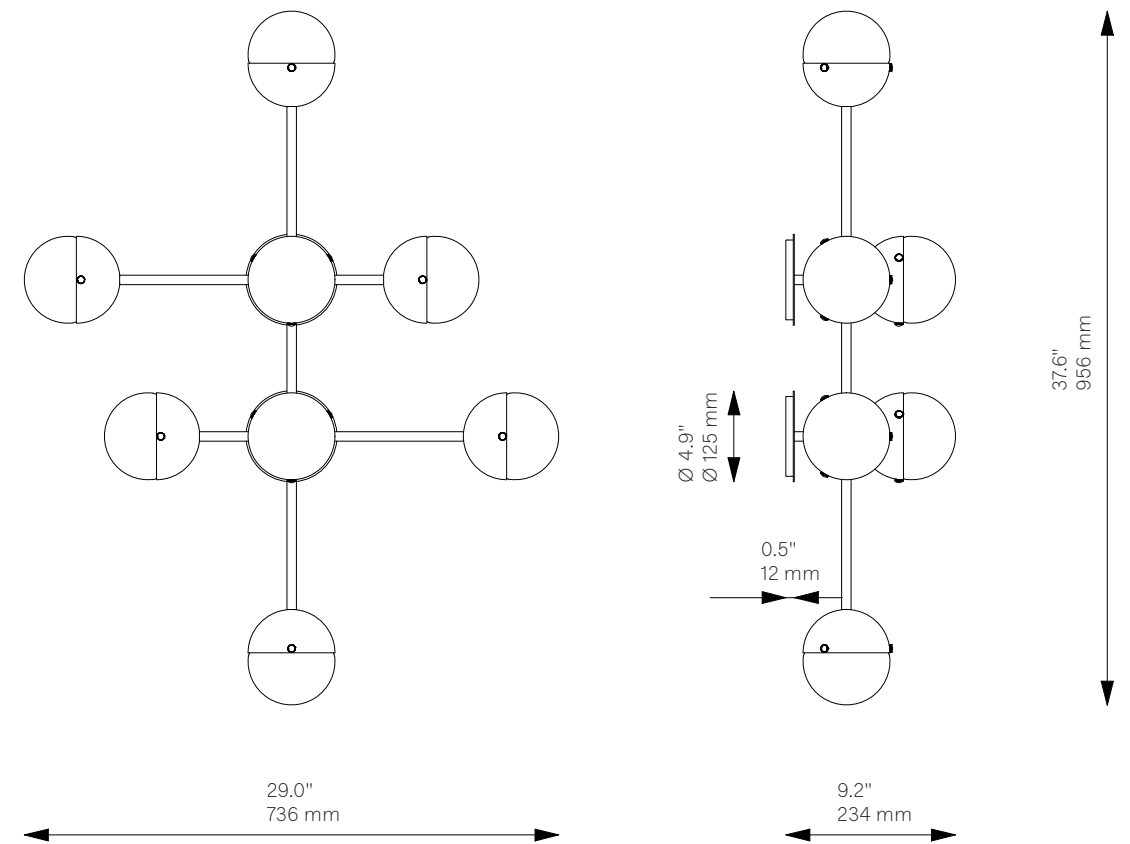
IP 20



Molecule 8

Wall Sconce - B331

Molecule Collection



Glass Lampshades

8 x Ø 120 mm / Ø 4.7"

¹ Borosilicate Transparent Glass

² Borosilicate Sandblasted Glass

Weight

8.0 kg / 17.6 lb

Light Source

| | |
|---------------------|----------------|
| LED Bulb (included) | 8 x 3-4 W |
| Max Wattage | 8 x 10 W |
| Total Lumens | 1600 lm |
| Color Temperature | 2000-2800 K |
| Bulb Base | E27 / E26 |
| Power Supply | 230/120V CE/UL |

Dimmable with electronic dimmers only (ELV, trailing edge)

Finishes

LBB / Lacquered Burnished Brass
BGM / Black Gunmetal

CE/UL Certified

CE/UL

Ingress Protection

IP 20

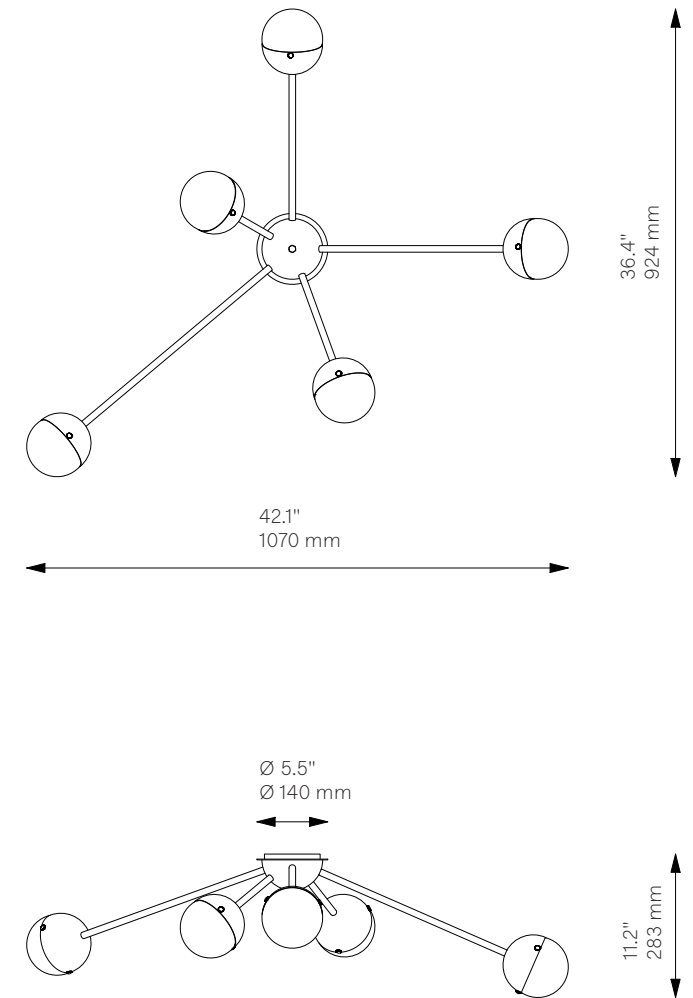


Molecule Spark

Wall Sconce - B236

Molecule Collection

Schwung Product Information



Glass Lampshades

5 x Ø 120 mm / Ø 4.7"

¹ Borosilicate Transparent Glass

² Borosilicate Sandblasted Glass

Weight

5.6 kg / 12.3 lb

Light Source

| | |
|---------------------|----------------|
| LED Bulb (included) | 5 x 3-4 W |
| Max Wattage | 5 x 10 W |
| Total Lumens | 1000 lm |
| Color Temperature | 2000-2800 K |
| Bulb Base | E27 / E26 |
| Power Supply | 230/120V CE/UL |

Dimmable with electronic dimmers only (ELV, trailing edge)

Finishes

LBB / Lacquered Burnished Brass
BGM / Black Gunmetal

CE/UL Certified

CE/UL

Ingress Protection

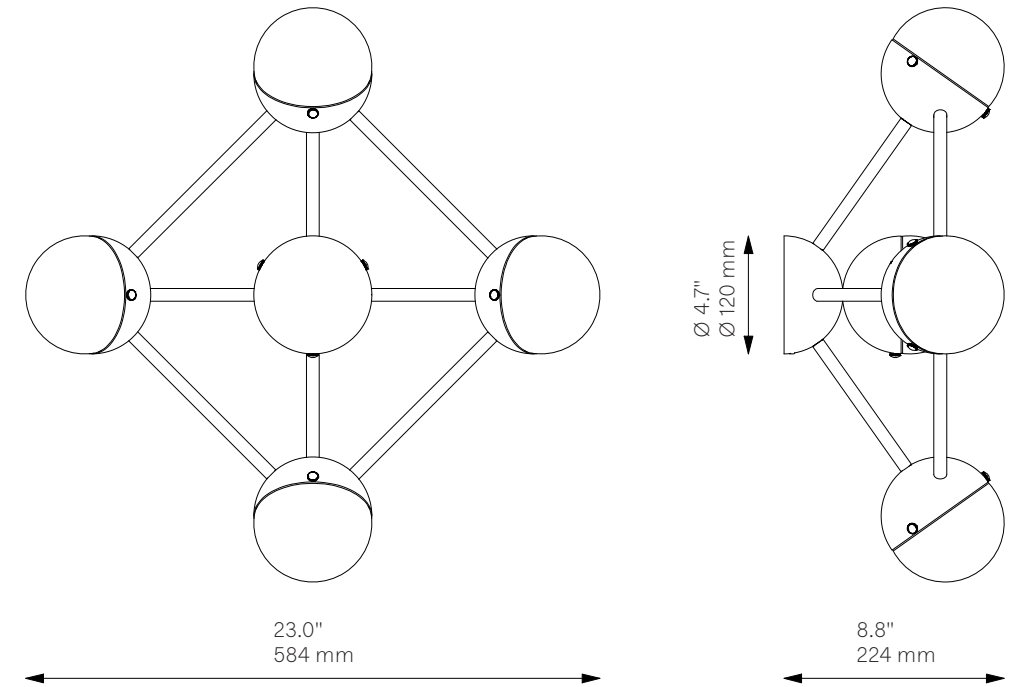
IP 20



Molecule 5

Wall Sconce - B233

Molecule Collection



Glass Lampshades

5 x Ø 120 mm / Ø 4.7"

¹ Borosilicate Transparent Glass

² Borosilicate Sandblasted Glass

Weight

5.3 kg / 11.7 lb

Light Source

| | |
|---------------------|----------------|
| LED Bulb (included) | 5 x 3-4 W |
| Max Wattage | 5 x 10 W |
| Total Lumens | 1000 lm |
| Color Temperature | 2000-2800 K |
| Bulb Base | E27 / E26 |
| Power Supply | 230/120V CE/UL |

Dimmable with electronic dimmers only (ELV, trailing edge)

Finishes

LBB / Lacquered Burnished Brass
BGM / Black Gunmetal

CE/UL Certified

CE/UL

Ingress Protection

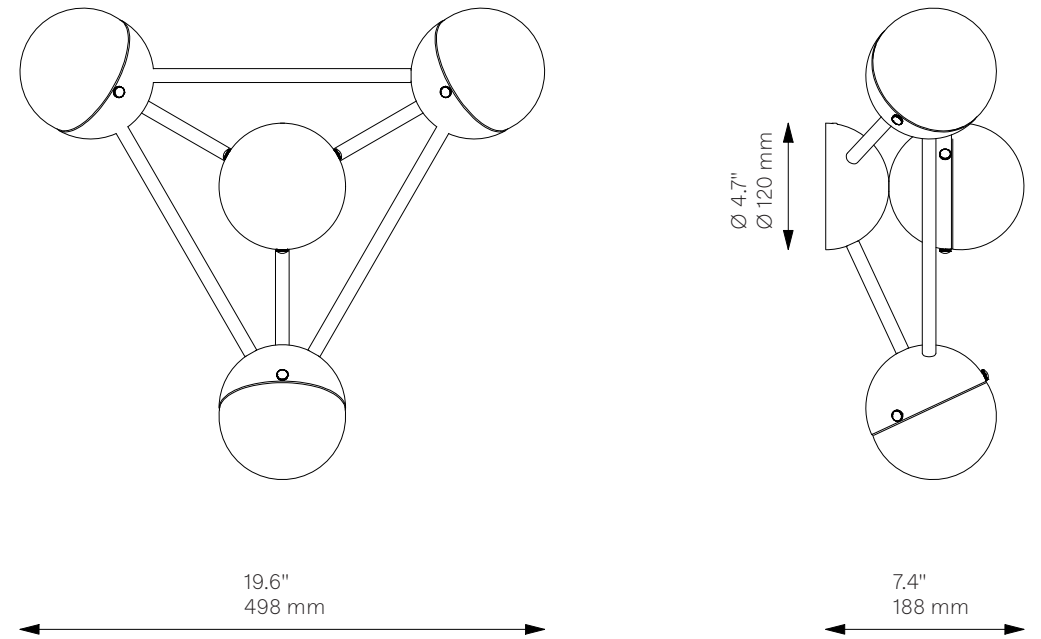
IP 20



Molecule 4

Wall Sconce - B285

Molecule Collection



Glass Lampshades

4 x Ø 120 mm / Ø 4.7"

¹ Borosilicate Transparent Glass

² Borosilicate Sandblasted Glass

Weight

4.4 kg / 9.7 lb

Light Source

| | |
|---------------------|----------------|
| LED Bulb (included) | 4 x 3-4 W |
| Max Wattage | 4 x 10 W |
| Total Lumens | 800 lm |
| Color Temperature | 2000-2800 K |
| Bulb Base | E27 / E26 |
| Power Supply | 230/120V CE/UL |

Dimmable with electronic dimmers only (ELV, trailing edge)

Finishes

LBB / Lacquered Burnished Brass
BGM / Black Gunmetal

CE/UL Certified

CE/UL

Ingress Protection

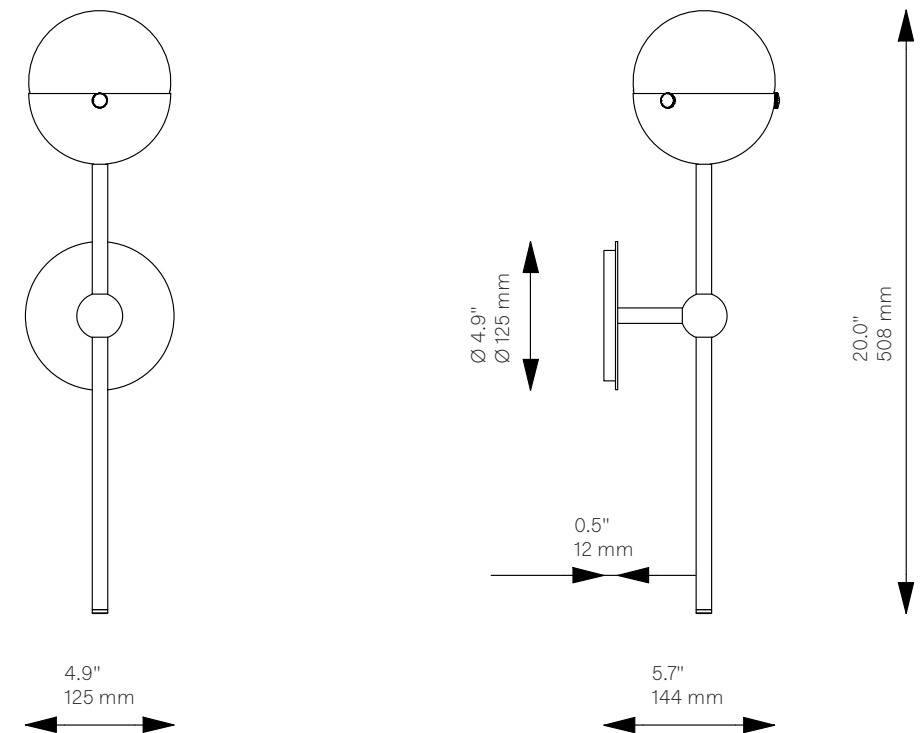
IP 20



Molecule Single

Wall Sconce - B327

Molecule Collection



Glass Lampshades

1 x Ø 120 mm / Ø 4.7"

¹ Borosilicate Transparent Glass

² Borosilicate Sandblasted Glass

Weight

1.7 kg / 3.8 lb

Light Source

| | |
|---------------------|----------------|
| LED Bulb (included) | 1 x 3-4 W |
| Max Wattage | 1 x 10 W |
| Total Lumens | 200 lm |
| Color Temperature | 2000-2800 K |
| Bulb Base | E27 / E26 |
| Power Supply | 230/120V CE/UL |

Dimmable with electronic dimmers only (ELV, trailing edge)

Finishes

LBB / Lacquered Burnished Brass
BGM / Black Gunmetal

CE/UL Certified

CE/UL

Ingress Protection

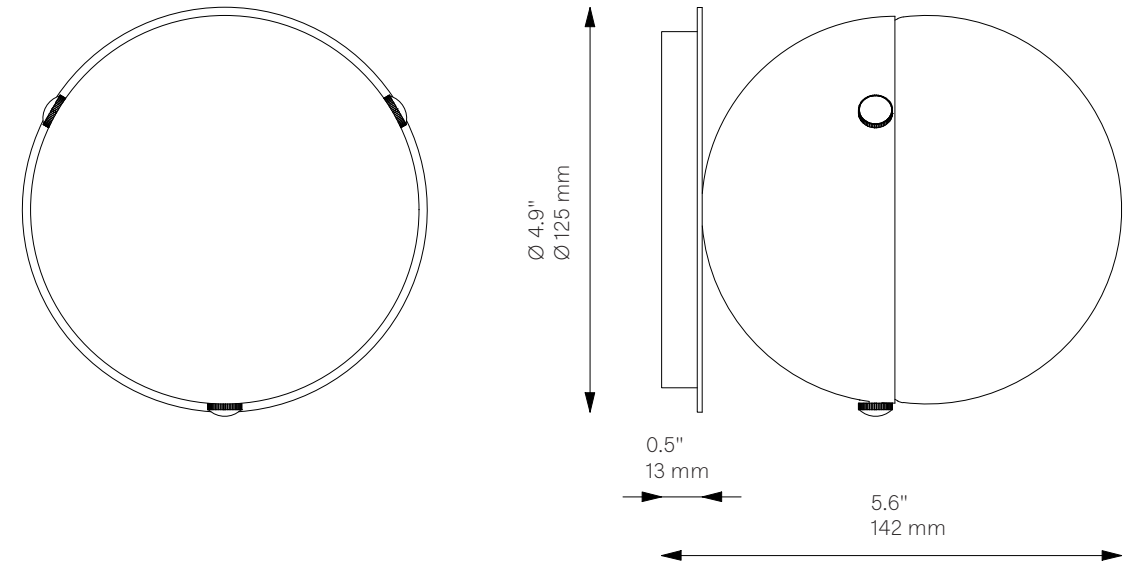
IP 20



Molecule 1

Wall Sconce - B657

Molecule Collection



| | | |
|--|---|-------------------|
| Glass Lampshades | 1 x Ø 120 mm / Ø 4.7" ¹ Borosilicate Transparent Glass ² Borosilicate Sandblasted Glass | |
| Weight | 1.1 kg / 2.4 lb | |
| Light Source | LED Bulb (included) | 1 x 3-4 W |
| | Max Wattage | 1 x 10 W |
| | Total Lumens | 200 lm |
| | Color Temperature | 2000-2800 K |
| | Bulb Base | E27 / E26 |
| | Power Supply | 230/120V CE/UL |
| | Dimmable with electronic dimmers only (ELV, trailing edge) | |
| Finishes | LBB / Lacquered Burnished Brass BGM / Black Gunmetal | |
| Canopy (Vaulted Ceiling Compatible) | Ø 125 mm Ø 4.9" | H 13 mm H 0.5" |
| CE/UL Certified | CE/UL | |
| Ingress Protection | IP 20 | |

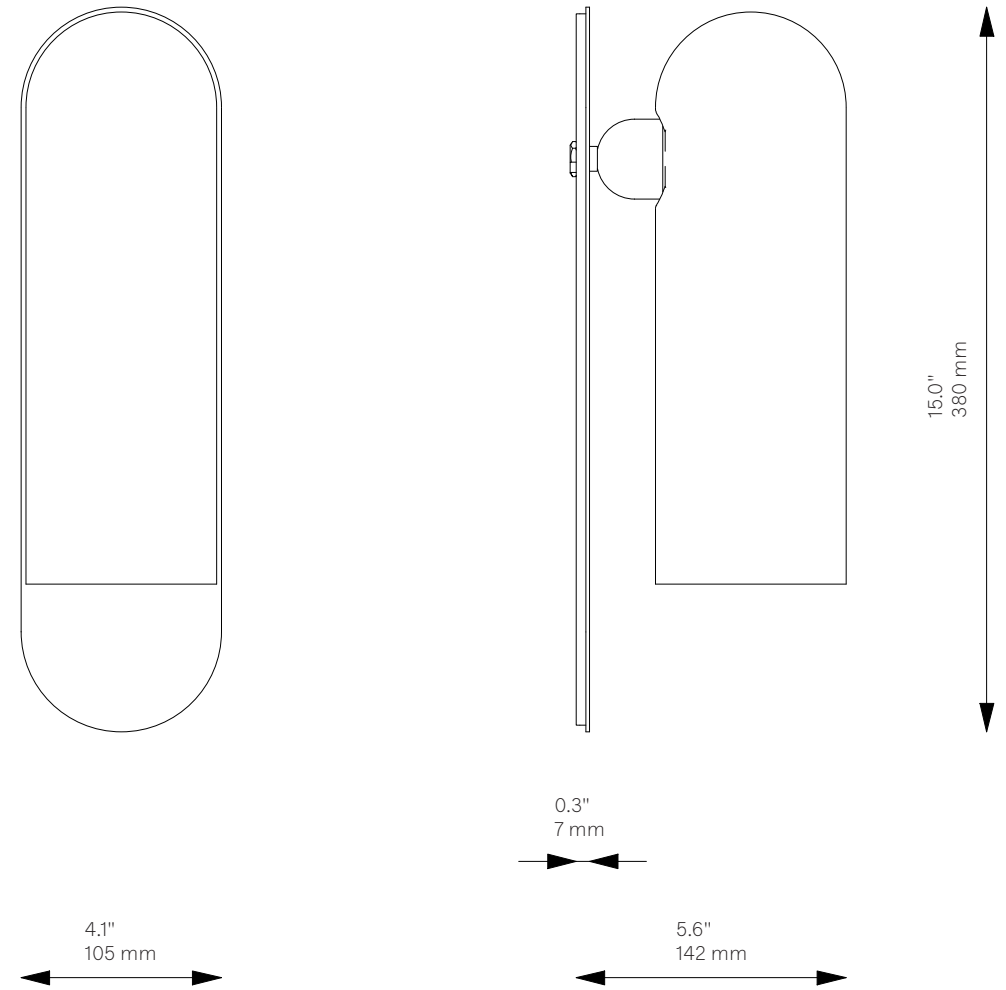


Odyssey LG

Wall Sconce - B147

Odyssey Collection

Schwung Product Information



| | | |
|---------------------------|---|------------------------------|
| Glass Lampshades | 1 x Ø 100 mm x H 300 mm / Ø 3.9" x H 11.8" Triplex Opal Glass (acid etch on the outside) | |
| Weight | 2.4 kg / 5.3 lb | |
| Light Source | LED Bulb (included) | 1 x 4 W |
| | Max Wattage | 1 x 15 W |
| | Total Lumens | 220 lm |
| | Color Temperature | 2200-3000 K |
| | Bulb Base | E14 / E12 |
| | Bulb Size | G45, max length 80 mm / 3.2" |
| | Power Supply | 230/120V CE/UL |
| | Dimmable with electronic dimmers only (ELV, trailing edge) | |
| Finishes | LBB / Lacquered Burnished Brass BGM / Black Gunmetal PN / Polished Nickel (extra charge of 25%) | |
| CE/UL Certified | CE/UL | |
| Ingress Protection | IP 20 | |

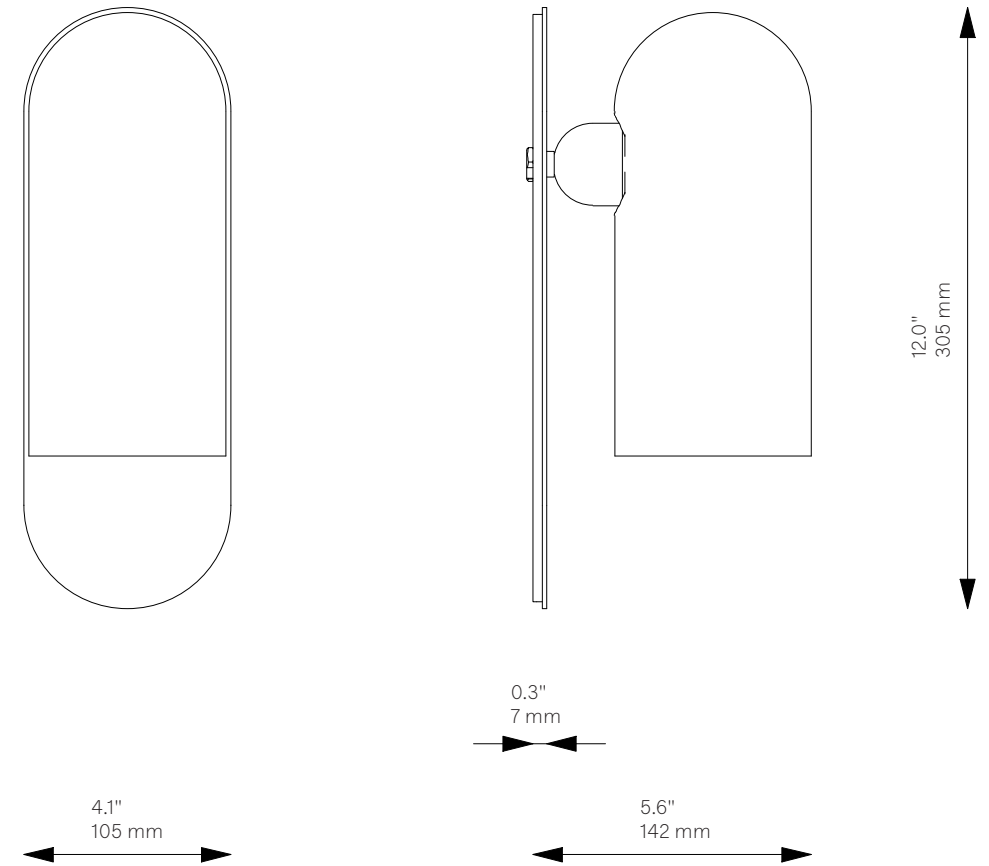


Odyssey MD

Wall Sconce - B146

Odyssey Collection

Schwung Product Information



| | | |
|---------------------------|---|------------------------------|
| Glass Lampshades | 1 x Ø 100 mm x H 225 mm / Ø 3.9" x H 8.9" Triplex Opal Glass (acid etch on the outside) | |
| Weight | 2.0 kg / 4.4 lb | |
| Light Source | LED Bulb (included) | 1 x 4 W |
| | Max Wattage | 1 x 15 W |
| | Total Lumens | 220 lm |
| | Color Temperature | 2200-3000 K |
| | Bulb Base | E14 / E12 |
| | Bulb Size | G45, max length 80 mm / 3.2" |
| | Power Supply | 230/120V CE/UL |
| | Dimmable with electronic dimmers only (ELV, trailing edge) | |
| Finishes | LBB / Lacquered Burnished Brass BGM / Black Gunmetal PN / Polished Nickel (extra charge of 25%) | |
| CE/UL Certified | CE/UL | |
| Ingress Protection | IP 20 | |

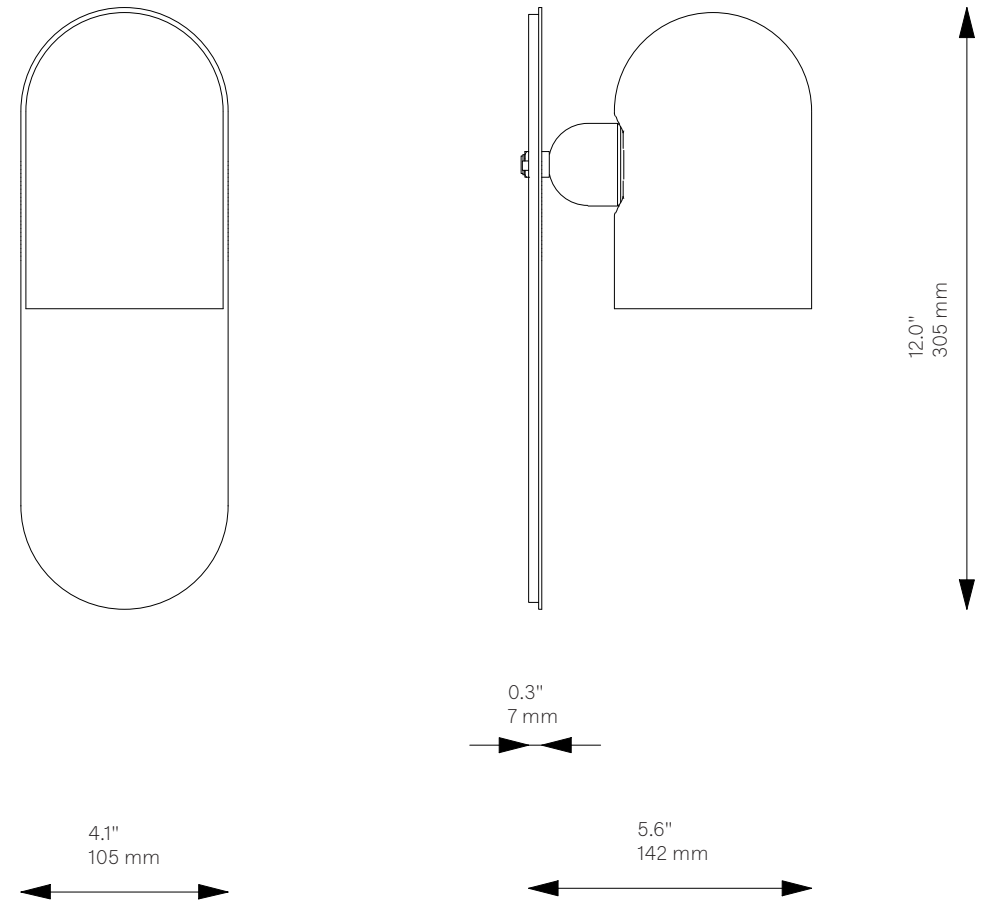


Odyssey Kyoto

Wall Sconce - B146 Kyoto

Odyssey Collection

Schwung Product Information



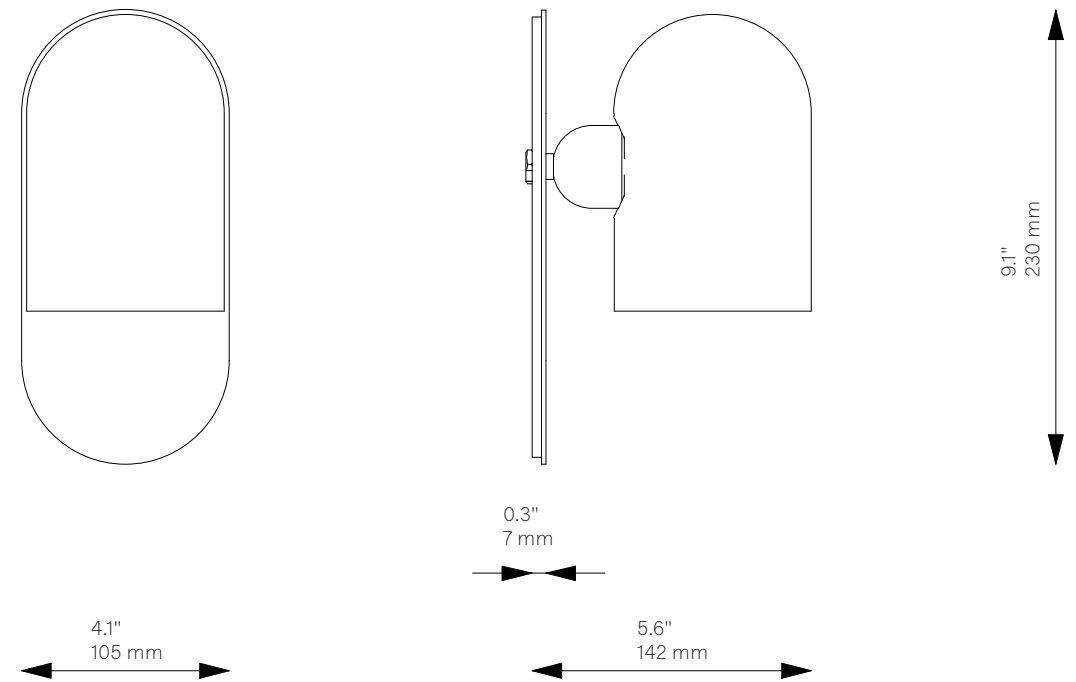
| | | |
|---------------------------|--|------------------------------|
| Glass Lampshades | 1 x Ø 100 mm x H 150 mm / Ø 3.9" x H 5.9" Triplex Opal Glass (acid etch on the outside) | |
| Weight | 1.8 kg / 3.97 lb | |
| Light Source | LED Bulb (included) | 1 x 4 W |
| | Max Wattage | 1 x 15 W |
| | Total Lumens | 220 lm |
| | Color Temperature | 2200-3000 K |
| | Bulb Base | E14 / E12 |
| | Bulb Size | G45, max length 80 mm / 3.2" |
| | Power Supply | 230/120V CE/UL |
| | Dimmable with electronic dimmers only (ELV, trailing edge) | |
| Finishes | GOLD / BLACK / GOLD-BLACK | |
| CE/UL Certified | CE/UL | |
| Ingress Protection | IP 20 | |



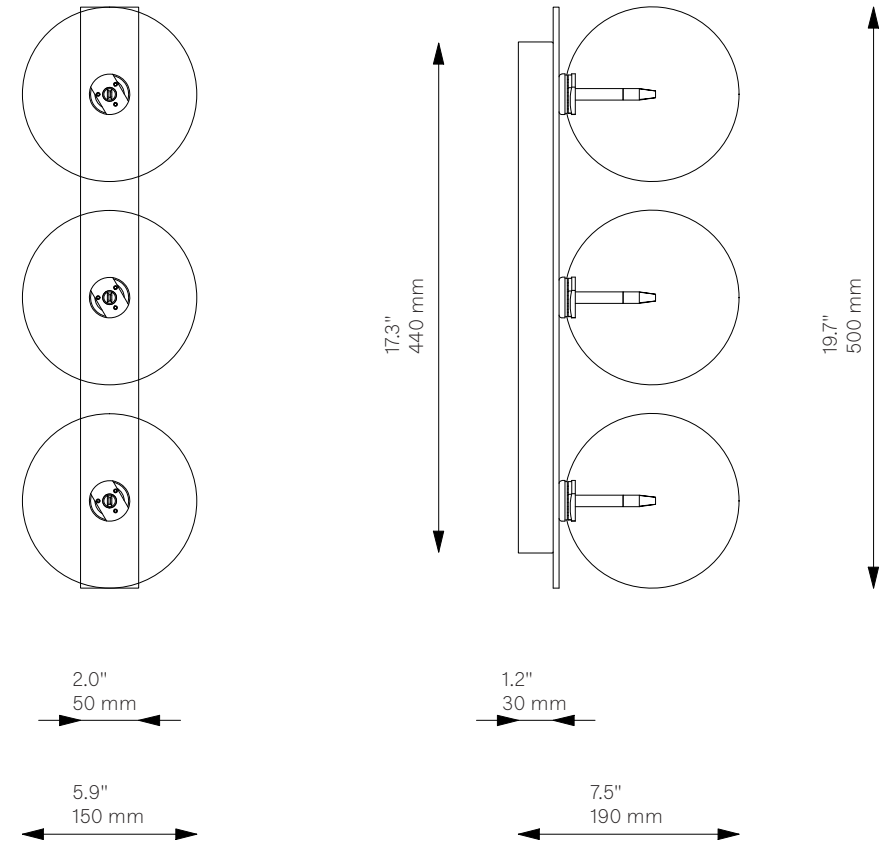
Odyssey SM

Wall Sconce - B145

Odyssey Collection



| | | |
|---------------------------|---|------------------------------|
| Glass Lampshades | 1 x Ø 100 mm x H 150 mm / Ø 3.9" x H 5.9" Triplex Opal Glass (acid etch on the outside) | |
| Weight | 1.5 kg / 3.3 lb | |
| Light Source | LED Bulb (included) | 1 x 4 W |
| | Max Wattage | 1 x 15 W |
| | Total Lumens | 220 lm |
| | Color Temperature | 2200-3000 K |
| | Bulb Base | E14 / E12 |
| | Bulb Size | G45, max length 80 mm / 3.2" |
| | Power Supply | 230/120V CE/UL |
| | Dimmable with electronic dimmers only (ELV, trailing edge) | |
| Finishes | LBB / Lacquered Burnished Brass BGM / Black Gunmetal PN / Polished Nickel (extra charge of 25%) | |
| CE/UL Certified | CE/UL | |
| Ingress Protection | IP 20 | |

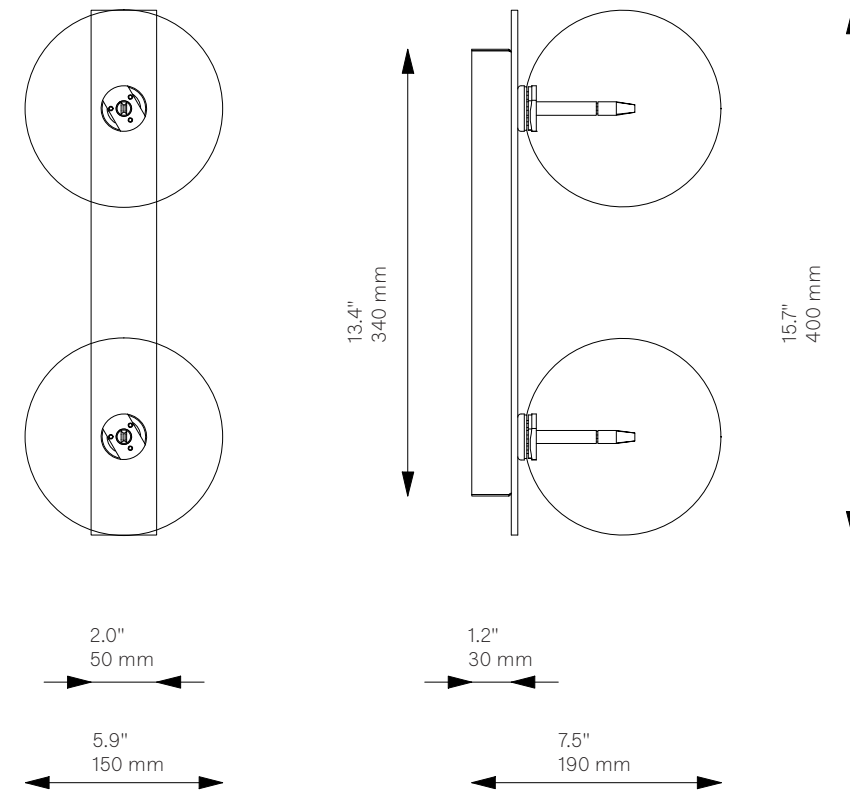


Oslo Triple

Wall Sconce - B073

Classic Collection

| | | | | | | | | | | | |
|---------------------------|---|---------------------|-----------|-------------|----------|--------------|--------|-------------------|--------|-----------|----------|
| Glass Lampshades | 3 x Ø 150 mm / Ø 5.9" Borosilicate Transparent Glass | | | | | | | | | | |
| Weight | 2.9 kg / 6.4 lb | | | | | | | | | | |
| Light Source | <table border="0"> <tr> <td>LED Bulb (included)</td> <td>3 x 1.6 W</td> </tr> <tr> <td>Max Wattage</td> <td>3 x 15 W</td> </tr> <tr> <td>Total Lumens</td> <td>540 lm</td> </tr> <tr> <td>Color Temperature</td> <td>2700 K</td> </tr> <tr> <td>Bulb Base</td> <td>G4, 12 V</td> </tr> </table> <p>Dimmable with electronic dimmers only (ELV, trailing edge)</p> | LED Bulb (included) | 3 x 1.6 W | Max Wattage | 3 x 15 W | Total Lumens | 540 lm | Color Temperature | 2700 K | Bulb Base | G4, 12 V |
| LED Bulb (included) | 3 x 1.6 W | | | | | | | | | | |
| Max Wattage | 3 x 15 W | | | | | | | | | | |
| Total Lumens | 540 lm | | | | | | | | | | |
| Color Temperature | 2700 K | | | | | | | | | | |
| Bulb Base | G4, 12 V | | | | | | | | | | |
| Finishes | LBB / Lacquered Burnished Brass BGM / Black Gunmetal PN / Polished Nickel (extra charge of 25%) | | | | | | | | | | |
| CE/UL Certified | CE | | | | | | | | | | |
| Ingress Protection | IP 20 | | | | | | | | | | |



Oslo Dual

Wall Sconce - B072

Classic Collection

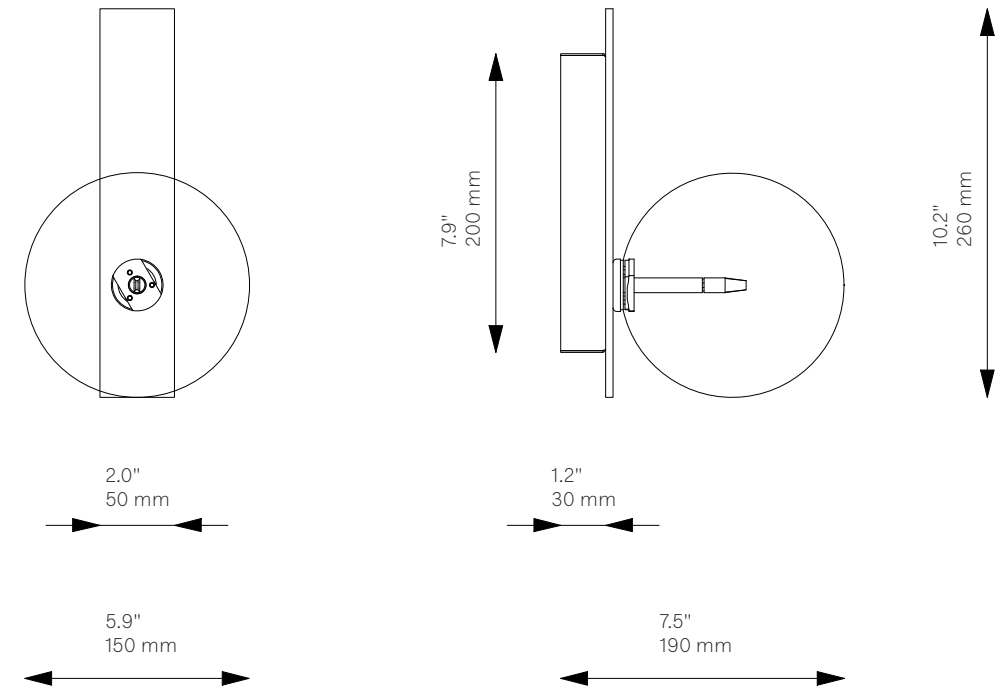
| | | | | | | | | | | | |
|---------------------------|---|---------------------|-----------|-------------|----------|--------------|--------|-------------------|--------|-----------|----------|
| Glass Lampshades | 2 x Ø 150 mm / Ø 5.9" Borosilicate Transparent Glass | | | | | | | | | | |
| Weight | 2.1 kg / 4.6 lb | | | | | | | | | | |
| Light Source | <table border="0"> <tr> <td>LED Bulb (included)</td> <td>2 x 1.6 W</td> </tr> <tr> <td>Max Wattage</td> <td>2 x 20 W</td> </tr> <tr> <td>Total Lumens</td> <td>360 lm</td> </tr> <tr> <td>Color Temperature</td> <td>2700 K</td> </tr> <tr> <td>Bulb Base</td> <td>G4, 12 V</td> </tr> </table> <p>Dimmable with electronic dimmers only (ELV, trailing edge)</p> | LED Bulb (included) | 2 x 1.6 W | Max Wattage | 2 x 20 W | Total Lumens | 360 lm | Color Temperature | 2700 K | Bulb Base | G4, 12 V |
| LED Bulb (included) | 2 x 1.6 W | | | | | | | | | | |
| Max Wattage | 2 x 20 W | | | | | | | | | | |
| Total Lumens | 360 lm | | | | | | | | | | |
| Color Temperature | 2700 K | | | | | | | | | | |
| Bulb Base | G4, 12 V | | | | | | | | | | |
| Finishes | LBB / Lacquered Burnished Brass BGM / Black Gunmetal PN / Polished Nickel (extra charge of 25%) | | | | | | | | | | |
| CE/UL Certified | CE | | | | | | | | | | |
| Ingress Protection | IP 20 | | | | | | | | | | |



Oslo

Wall Sconce - B067

Classic Collection



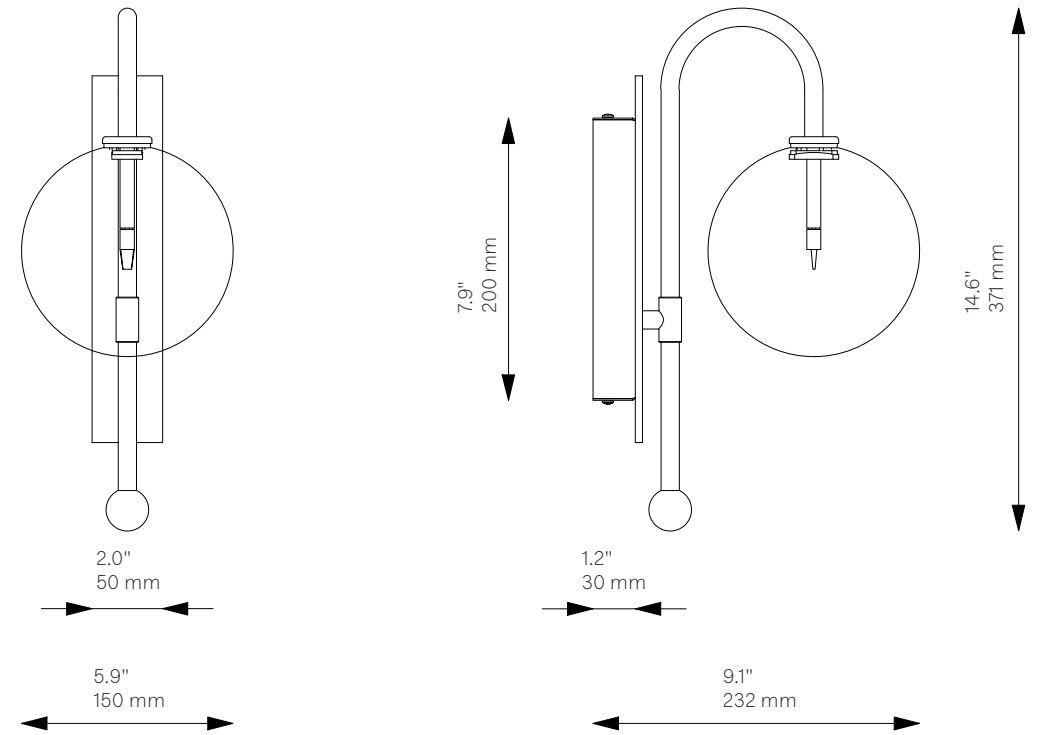
| | | | | | | | | | | | |
|---------------------------|---|---------------------|-----------|-------------|----------|--------------|--------|-------------------|--------|-----------|----------|
| Glass Lampshades | 1 x Ø 150 mm / Ø 5.9" Borosilicate Transparent Glass | | | | | | | | | | |
| Weight | 1.4 kg / 3.1 lb | | | | | | | | | | |
| Light Source | <table border="0"> <tr> <td>LED Bulb (included)</td> <td>1 x 1.6 W</td> </tr> <tr> <td>Max Wattage</td> <td>1 x 20 W</td> </tr> <tr> <td>Total Lumens</td> <td>180 lm</td> </tr> <tr> <td>Color Temperature</td> <td>2700 K</td> </tr> <tr> <td>Bulb Base</td> <td>G4, 12 V</td> </tr> </table> <p>Dimmable with electronic dimmers only (ELV, trailing edge)</p> | LED Bulb (included) | 1 x 1.6 W | Max Wattage | 1 x 20 W | Total Lumens | 180 lm | Color Temperature | 2700 K | Bulb Base | G4, 12 V |
| LED Bulb (included) | 1 x 1.6 W | | | | | | | | | | |
| Max Wattage | 1 x 20 W | | | | | | | | | | |
| Total Lumens | 180 lm | | | | | | | | | | |
| Color Temperature | 2700 K | | | | | | | | | | |
| Bulb Base | G4, 12 V | | | | | | | | | | |
| Finishes | LBB / Lacquered Burnished Brass BGM / Black Gunmetal PN / Polished Nickel (extra charge of 25%) | | | | | | | | | | |
| CE/UL Certified | CE | | | | | | | | | | |
| Ingress Protection | IP 20 | | | | | | | | | | |



Naples

Wall Sconce - B068

Classic Collection



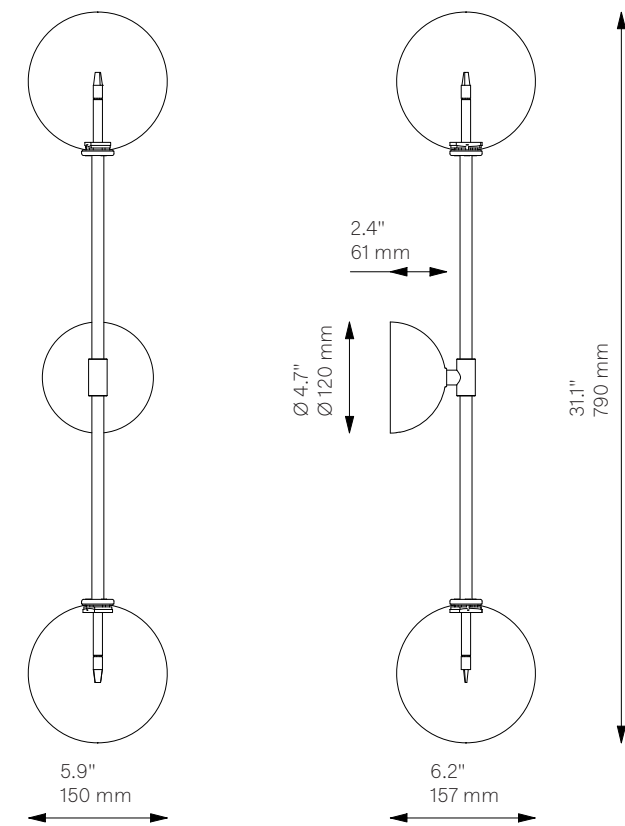
| | | | | | | | | | | | |
|---------------------------|--|---------------------|-----------|-------------|-----------|--------------|--------|-------------------|--------|-----------|----------|
| Glass Lampshades | 1 x Ø 150 mm / Ø 5.9" Borosilicate Transparent Glass | | | | | | | | | | |
| Weight | 1.6 kg / 3.5 lb | | | | | | | | | | |
| Light Source | <table border="0"> <tr> <td>LED Bulb (included)</td> <td>1 x 1.6 W</td> </tr> <tr> <td>Max Wattage</td> <td>1 x 1.6 W</td> </tr> <tr> <td>Total Lumens</td> <td>180 lm</td> </tr> <tr> <td>Color Temperature</td> <td>2700 K</td> </tr> <tr> <td>Bulb Base</td> <td>G4, 12 V</td> </tr> </table> <p>Dimmable with electronic dimmers only (ELV, trailing edge)</p> | LED Bulb (included) | 1 x 1.6 W | Max Wattage | 1 x 1.6 W | Total Lumens | 180 lm | Color Temperature | 2700 K | Bulb Base | G4, 12 V |
| LED Bulb (included) | 1 x 1.6 W | | | | | | | | | | |
| Max Wattage | 1 x 1.6 W | | | | | | | | | | |
| Total Lumens | 180 lm | | | | | | | | | | |
| Color Temperature | 2700 K | | | | | | | | | | |
| Bulb Base | G4, 12 V | | | | | | | | | | |
| Finishes | LBB / Lacquered Burnished Brass BGM / Black Gunmetal PN / Polished Nickel (extra charge of 25%) | | | | | | | | | | |
| CE/UL Certified | CE | | | | | | | | | | |
| Ingress Protection | IP 20 | | | | | | | | | | |



Miron

Wall Sconce - B071

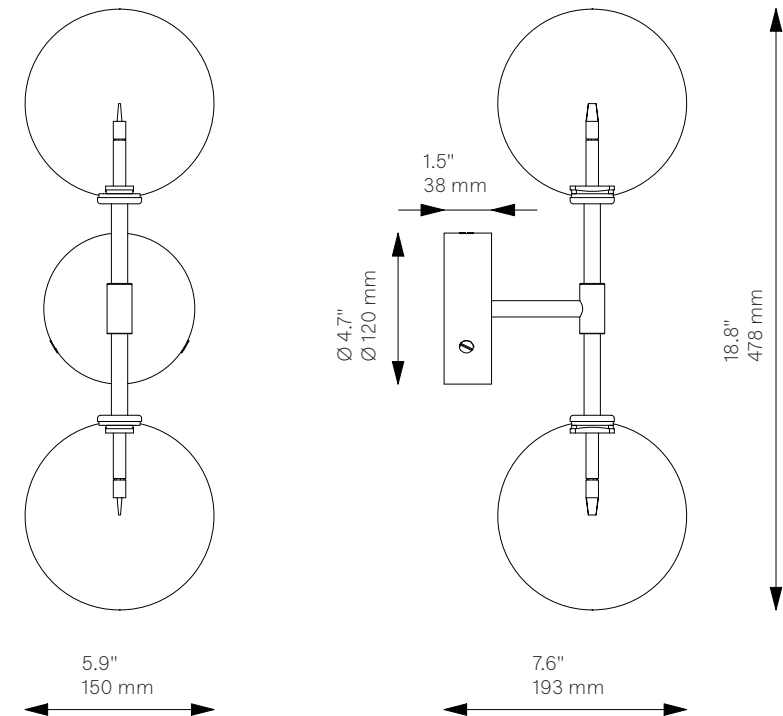
Classic Collection



| | | |
|---------------------------|---|-----------|
| Glass Lampshades | 2 x Ø 150 mm / Ø 5.9" Borosilicate Transparent Glass | |
| Weight | 1.5 kg / 3.3 lb | |
| Light Source | LED Bulb (included) | 2 x 1.6 W |
| | Max Wattage | 2 x 1.6 W |
| | Total Lumens | 180 lm |
| | Color Temperature | 2700 K |
| | Bulb Base | G4, 12 V |
| | Dimmable with electronic dimmers only (ELV, trailing edge) | |
| Finishes | LBB / Lacquered Burnished Brass BGM / Black Gunmetal PN / Polished Nickel (extra charge of 25%) | |
| CE/UL Certified | CE | |
| Ingress Protection | IP 20 | |



Schwung Product Information



Dawn Dual

Wall Sconce - B111

Unavailable in the USA and Canada.

Classic Collection

| | | | | | | | | | | | |
|---------------------------|---|---------------------|-----------|-------------|----------|--------------|--------|-------------------|--------|-----------|----------|
| Glass Lampshades | 2 x Ø 150 mm / Ø 5.9" Borosilicate Transparent Glass | | | | | | | | | | |
| Weight | 2.0 kg / 4.4 lb | | | | | | | | | | |
| Light Source | <table border="0"> <tr> <td>LED Bulb (included)</td> <td>2 x 1.6 W</td> </tr> <tr> <td>Max Wattage</td> <td>2 x 20 W</td> </tr> <tr> <td>Total Lumens</td> <td>360 lm</td> </tr> <tr> <td>Color Temperature</td> <td>2700 K</td> </tr> <tr> <td>Bulb Base</td> <td>G4, 12 V</td> </tr> </table> <p>Dimmable with electronic dimmers only (ELV, trailing edge)</p> | LED Bulb (included) | 2 x 1.6 W | Max Wattage | 2 x 20 W | Total Lumens | 360 lm | Color Temperature | 2700 K | Bulb Base | G4, 12 V |
| LED Bulb (included) | 2 x 1.6 W | | | | | | | | | | |
| Max Wattage | 2 x 20 W | | | | | | | | | | |
| Total Lumens | 360 lm | | | | | | | | | | |
| Color Temperature | 2700 K | | | | | | | | | | |
| Bulb Base | G4, 12 V | | | | | | | | | | |
| Finishes | LBB / Lacquered Burnished Brass BGM / Black Gunmetal PN / Polished Nickel (extra charge of 25%) | | | | | | | | | | |
| CE/UL Certified | CE/UL | | | | | | | | | | |
| Ingress Protection | IP 20 | | | | | | | | | | |

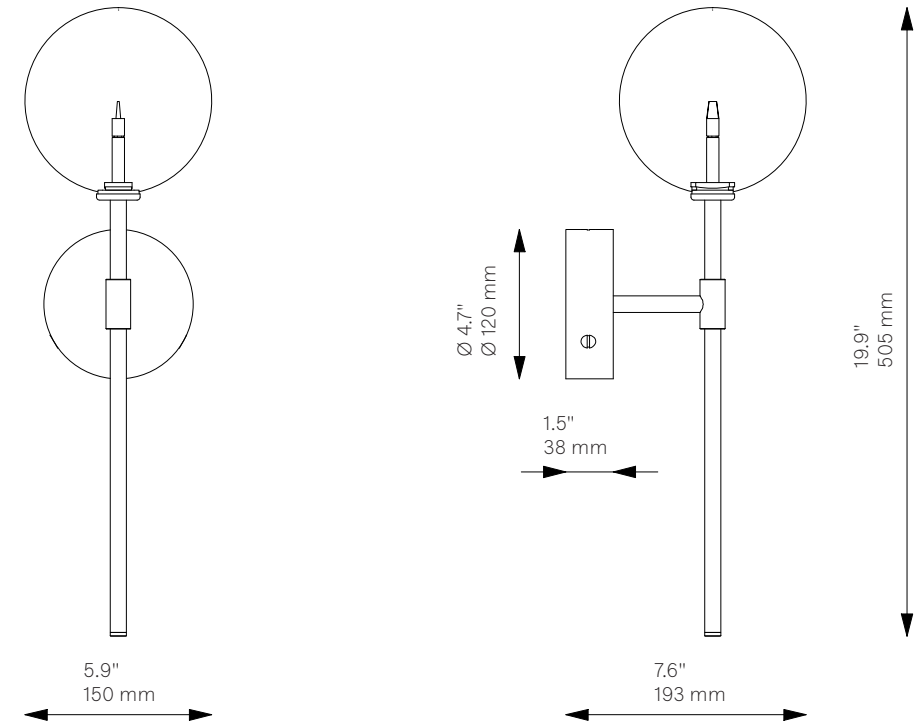


Dawn Single

Wall Sconce - B110

Unavailable in the USA and Canada.

Classic Collection



| | | |
|---------------------------|---|-----------|
| Glass Lampshades | 1 x Ø 150 mm / Ø 5.9" Borosilicate Transparent Glass | |
| Weight | 1.8 kg / 4.0 lb | |
| Light Source | LED Bulb (included) | 1 x 1.6 W |
| | Max Wattage | 1 x 20 W |
| | Total Lumens | 180 lm |
| | Color Temperature | 2700 K |
| | Bulb Base | G4, 12 V |
| | Dimmable with electronic dimmers only (ELV, trailing edge) | |
| Finishes | LBB / Lacquered Burnished Brass BGM / Black Gunmetal PN / Polished Nickel (extra charge of 25%) | |
| CE/UL Certified | CE/UL | |
| Ingress Protection | IP 20 | |

Floor



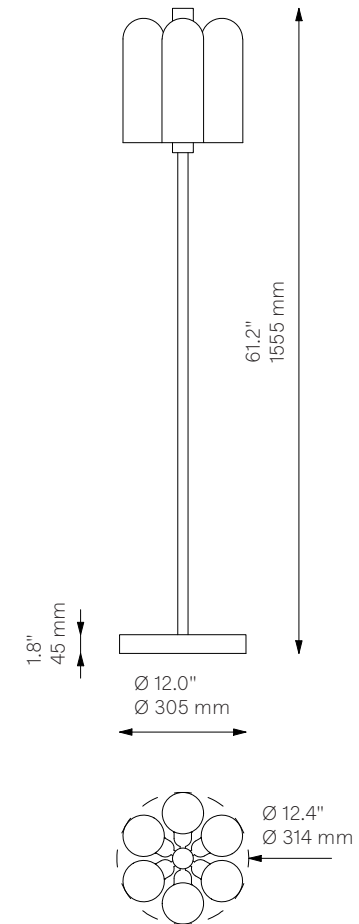


Odyssey 6

Floor Lamp - B165

Odyssey Collection

Schwung Product Information



| | | |
|---------------------------|---|------------------------------|
| Glass Lampshades | 6 x Ø 100 mm x H 300 mm / Ø 3.9" x H 11.8" Triplex Opal Glass (acid etch on the outside) | |
| Weight | 18.9 kg / 41.7 lb | |
| Light Source | LED Bulb (included) | 6 x 4 W |
| | Max Wattage | 6 x 15 W |
| | Total Lumens | 1320 lm |
| | Color Temperature | 2200-3000 K |
| | Bulb Base | E14 / E12 |
| | Bulb Size | G45, max length 80 mm / 3.2" |
| | Power Supply | 230/120V CE/UL |
| | Dimmable with electronic dimmers only (ELV, trailing edge) | |
| Finishes | LBB / Lacquered Burnished Brass BGM / Black Gunmetal PN / Polished Nickel (extra charge of 25%) | |
| Cord | 3000 mm / 118.1" with inline on-off switch and plug Switch location 500 mm / 19.7" from the base | |
| CE/UL Certified | CE/UL | |
| Ingress Protection | IP 20 | |

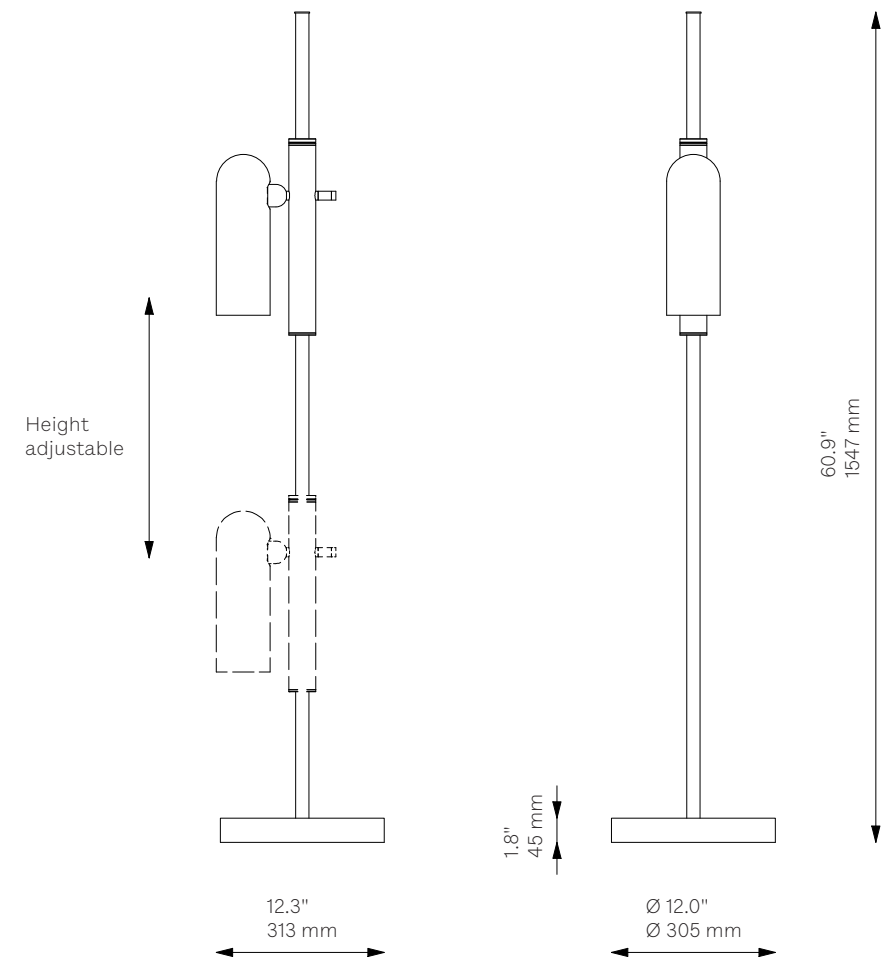


Odyssey 1

Floor Lamp - B191

Odyssey Collection

Schwung Product Information



| | | |
|---------------------------|---|------------------------------|
| Glass Lampshades | 1 x Ø 100 mm x H 300 mm / Ø 3.9" x H 11.8" Triplex Opal Glass (acid etch on the outside) | |
| Weight | 12.3 kg / 27.1 lb | |
| Light Source | LED Bulb (included) | 1 x 4 W |
| | Max Wattage | 1 x 15 W |
| | Total Lumens | 220 lm |
| | Color Temperature | 2200-3000 K |
| | Bulb Base | E14 / E12 |
| | Bulb Size | G45, max length 80 mm / 3.2" |
| | Power Supply | 230/120V CE/UL |
| | Dimmable with electronic dimmers only (ELV, trailing edge) | |
| Finishes | LBB / Lacquered Burnished Brass BGM / Black Gunmetal PN / Polished Nickel (extra charge of 25%) | |
| Cord | 3000 mm / 118.1" with inline on-off switch and plug Switch location 500 mm / 19.7" from the base | |
| CE/UL Certified | CE/UL | |
| Ingress Protection | IP 20 | |

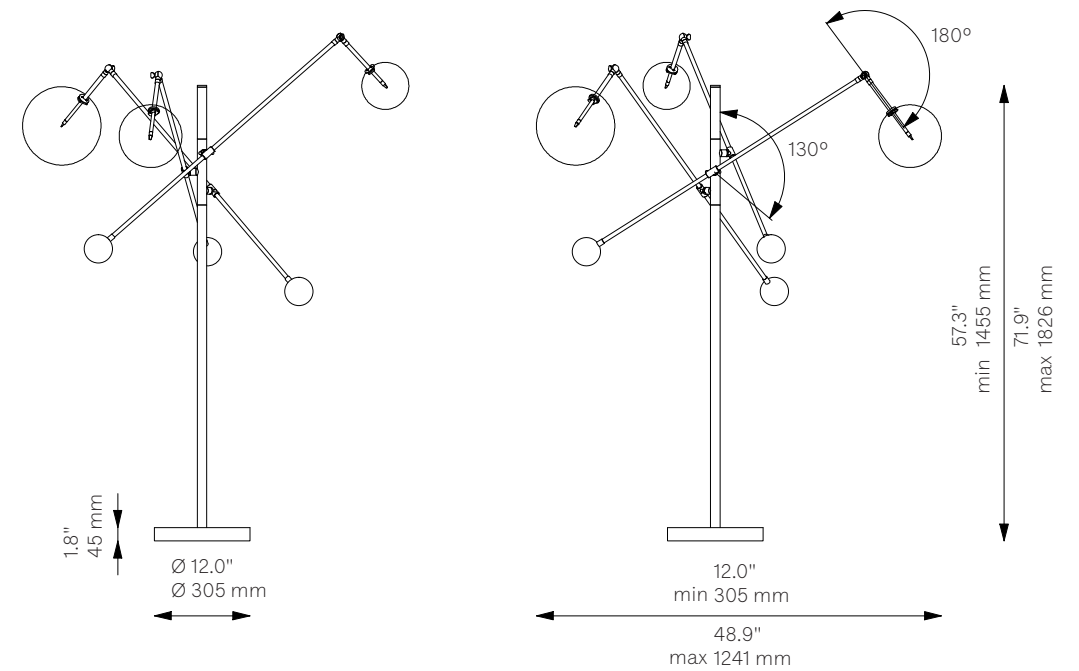


Milan 3 Arms

Floor Lamp - B070

Classic Collection

Schwung Product Information



Glass Lampshades

1 x Ø 250 mm / Ø 9.8"
 1 x Ø 200 mm / Ø 7.9"
 1 x Ø 150 mm / Ø 5.9"
 Borosilicate Transparent Glass

Weight

18.6 kg / 41.0 lb

Light Source

LED Bulb (included) 3 x 1.6 W
 Max Wattage 3 x 15 W
 Total Lumens 540 lm
 Color Temperature 2700 K
 Bulb Base G4, 12 V

Dimmable with electronic dimmers only (ELV, trailing edge)

Finishes

LBB / Lacquered Burnished Brass
 BGM / Black Gunmetal
 PN / Polished Nickel (extra charge of 25%)

Cord

3 m / 118.1" with inline on-off switch and plug
 Switch location 50 cm / 19.7" from the base

CE/UL Certified

CE/UL

Ingress Protection

IP 20



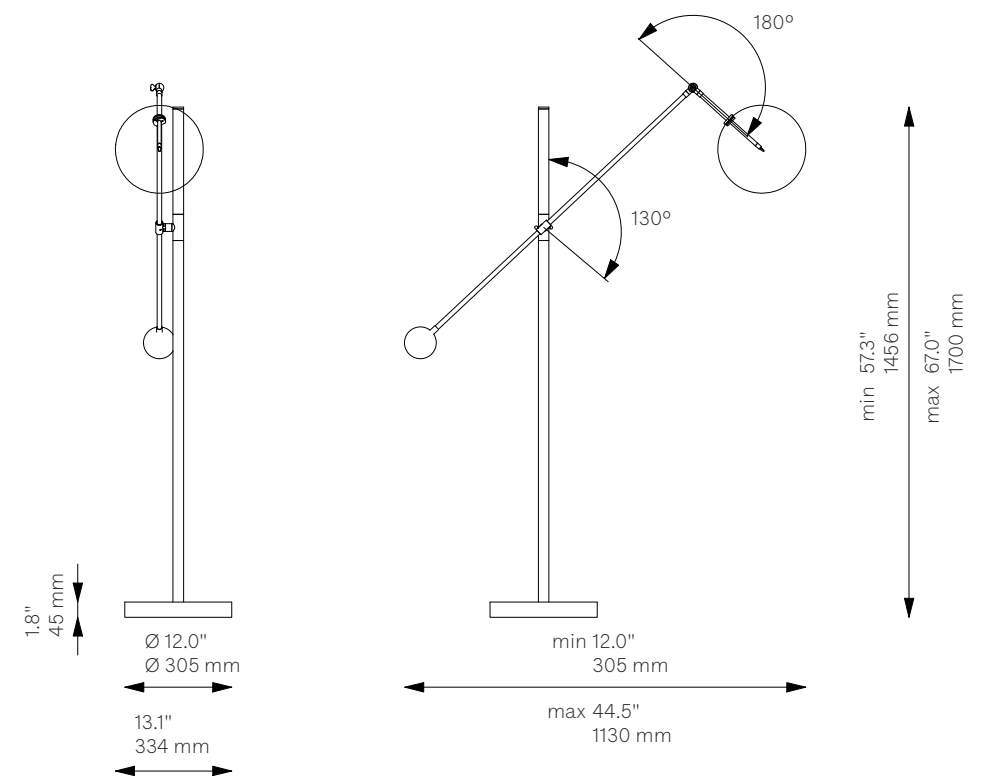
Milan 1 Arm

Floor Lamp - B069

Unavailable in the USA and Canada.

Classic Collection

Schwung Product Information



| | |
|---------------------------|--|
| Glass Lampshades | 1 x Ø 250 mm / Ø 9.8" Borosilicate Transparent Glass |
| Weight | 13.4 kg / 29.5 lb |
| Light Source | LED Bulb (included) 1 x 1.6 W Max Wattage 1 x 15 W Total Lumens 180 lm Color Temperature 2700 K Bulb Base G4, 12 V |
| | Dimmable with electronic dimmers only (ELV, trailing edge) |
| Finishes | LBB / Lacquered Burnished Brass BGM / Black Gunmetal PN / Polished Nickel (extra charge of 25%) |
| Cord | 3 m / 118.1" with inline on-off switch and plug Switch location 50 cm / 19.7" from the base |
| CE/UL Certified | CE/UL |
| Ingress Protection | IP 20 |

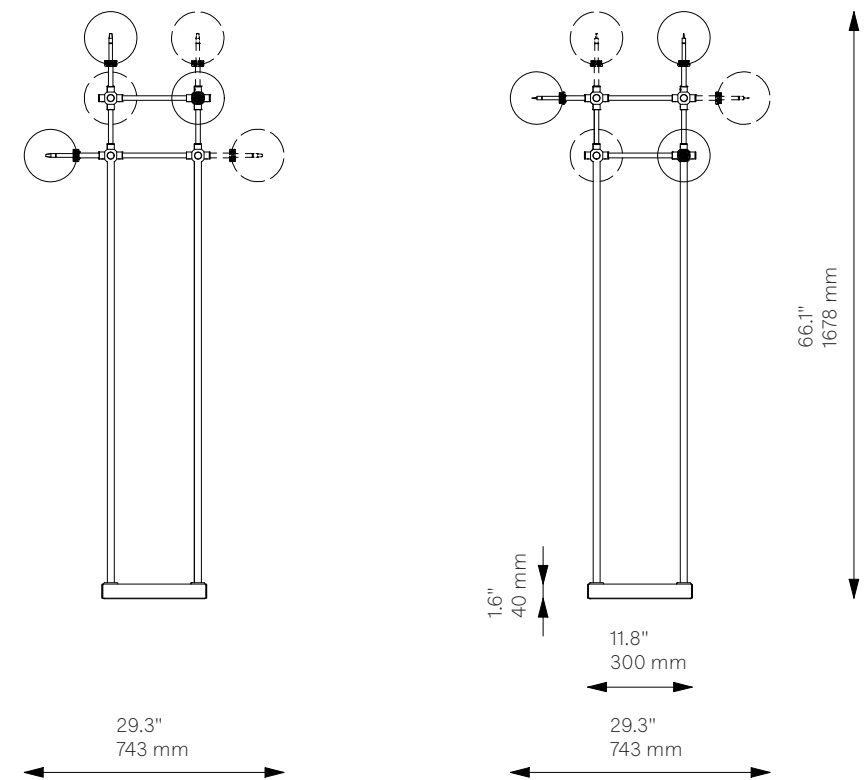


Soap 6

Floor Lamp - B039

Classic Collection

Schwung Product Information



| | | | | | | | | | | | |
|---------------------------|---|---------------------|-----------|-------------|---------|--------------|---------|-------------------|--------|-----------|----------|
| Glass Lampshades | 6 x Ø 250 mm / Ø 9.8" Borosilicate Transparent Glass | | | | | | | | | | |
| Weight | 16.1 kg / 35.5 lb | | | | | | | | | | |
| Light Source | <table border="0"> <tr> <td>LED Bulb (included)</td> <td>6 x 1.6 W</td> </tr> <tr> <td>Max Wattage</td> <td>6 x 5 W</td> </tr> <tr> <td>Total Lumens</td> <td>1080 lm</td> </tr> <tr> <td>Color Temperature</td> <td>2700 K</td> </tr> <tr> <td>Bulb Base</td> <td>G4, 12 V</td> </tr> </table> <p>Dimmable with electronic dimmers only (ELV, trailing edge)</p> | LED Bulb (included) | 6 x 1.6 W | Max Wattage | 6 x 5 W | Total Lumens | 1080 lm | Color Temperature | 2700 K | Bulb Base | G4, 12 V |
| LED Bulb (included) | 6 x 1.6 W | | | | | | | | | | |
| Max Wattage | 6 x 5 W | | | | | | | | | | |
| Total Lumens | 1080 lm | | | | | | | | | | |
| Color Temperature | 2700 K | | | | | | | | | | |
| Bulb Base | G4, 12 V | | | | | | | | | | |
| Finishes | LBB / Lacquered Burnished Brass BGM / Black Gunmetal PN / Polished Nickel (extra charge of 25%) | | | | | | | | | | |
| Cord | 3 m / 118.1" with inline on-off switch and plug Switch location 50 cm / 19.7" from the base | | | | | | | | | | |
| CE/UL Certified | CE | | | | | | | | | | |
| Ingress Protection | IP 20 | | | | | | | | | | |



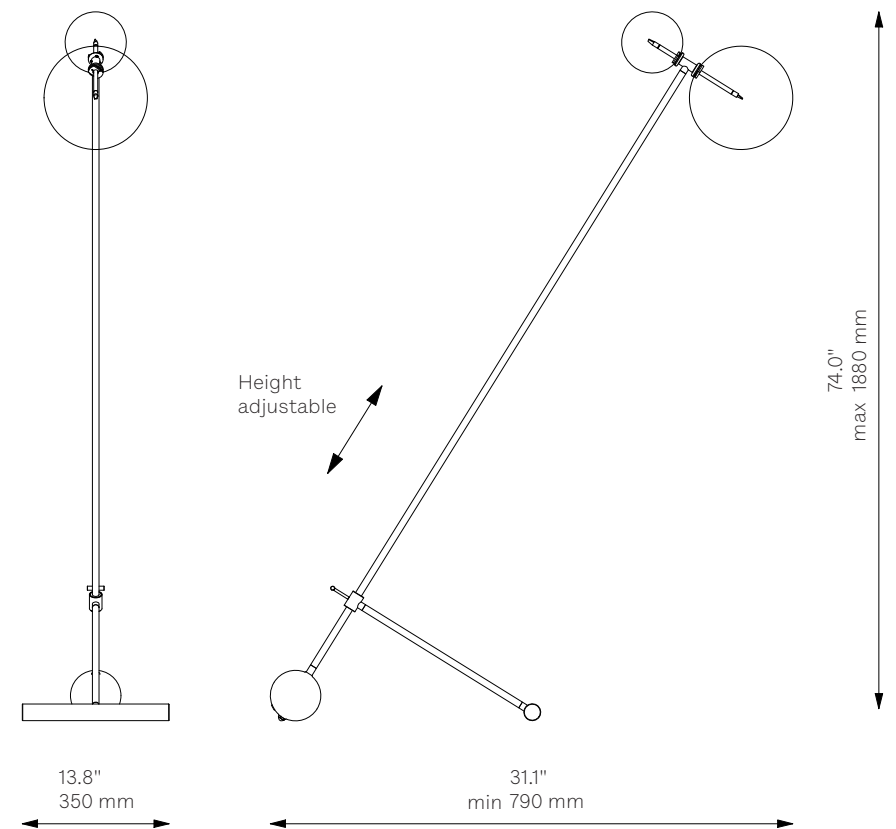
Zosia

Floor Lamp - B062

Unavailable in the USA and Canada.

Classic Collection

Schwung Product Information



| | |
|---------------------------|--|
| Glass Lampshades | 1 x Ø 250 mm / Ø 7.9" 1 x Ø 150 mm / Ø 5.9" Borosilicate Transparent Glass |
| Weight | 8.5 kg / 18.7 lb |
| Light Source | LED Bulb (included) 2 x 1.6 W Max Wattage 2 x 15 W Total Lumens 360 lm Color Temperature 2700 K Bulb Base G4, 12 V |
| | Dimmable with electronic dimmers only (ELV, trailing edge) |
| Finishes | LBB / Lacquered Burnished Brass BGM / Black Gunmetal PN / Polished Nickel (extra charge of 25%) |
| Cord | 3 m / 118.1" with inline on-off switch and plug Switch location 50 cm / 19.7" from the base |
| CE/UL Certified | CE/UL |
| Ingress Protection | IP 20 |

Table



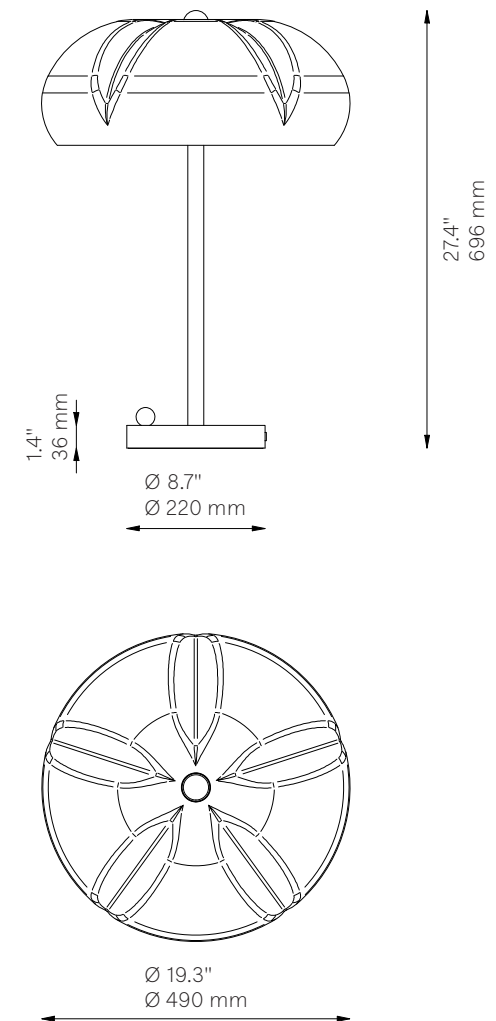


Hana

Table Lamp - B672

Hana Collection

Schwung Product Information



| | | | | | | | | | | | | | |
|---------------------------|--|---------------------|---------|-------------|----------|--------------|--------|-------------------|-------------|-----------|---------|--------------|----------------|
| Glass Lampshades | 1 x Ø 490 mm x H 200 mm 1 x Ø 19.3" x H 7.9" Borosilicate Sandblasted Glass | | | | | | | | | | | | |
| Weight | 7.6 kg / 16.8 lb | | | | | | | | | | | | |
| Light Source | <table border="0"> <tr> <td>LED Bulb (included)</td> <td>3 x 4 W</td> </tr> <tr> <td>Max Wattage</td> <td>3 x 15 W</td> </tr> <tr> <td>Total Lumens</td> <td>660 lm</td> </tr> <tr> <td>Color Temperature</td> <td>2200-3000 K</td> </tr> <tr> <td>Bulb Base</td> <td>E14/E12</td> </tr> <tr> <td>Power Supply</td> <td>230/120V CE/UL</td> </tr> </table> <p>Dimmable with electronic dimmers only (ELV, trailing edge)</p> | LED Bulb (included) | 3 x 4 W | Max Wattage | 3 x 15 W | Total Lumens | 660 lm | Color Temperature | 2200-3000 K | Bulb Base | E14/E12 | Power Supply | 230/120V CE/UL |
| LED Bulb (included) | 3 x 4 W | | | | | | | | | | | | |
| Max Wattage | 3 x 15 W | | | | | | | | | | | | |
| Total Lumens | 660 lm | | | | | | | | | | | | |
| Color Temperature | 2200-3000 K | | | | | | | | | | | | |
| Bulb Base | E14/E12 | | | | | | | | | | | | |
| Power Supply | 230/120V CE/UL | | | | | | | | | | | | |
| Finishes | LBB / Lacquered Burnished Brass BGM / Black Gunmetal | | | | | | | | | | | | |
| Cord | 3000 mm / 118.1 " Dimmer and on-off switch location in base. | | | | | | | | | | | | |
| CE/UL Certified | CE/UL | | | | | | | | | | | | |
| Ingress Protection | IP 20 | | | | | | | | | | | | |

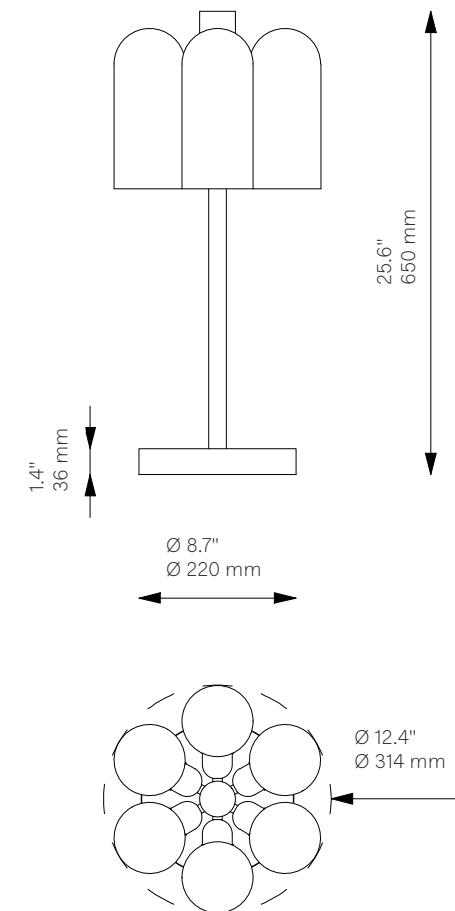


Odyssey 6

Table Lamp - B192

Odyssey Collection

Schwung Product Information



| | | |
|---------------------------|---|------------------------------|
| Glass Lampshades | 6 x Ø 100 mm x H 225 mm / Ø 3.9" x H 8.9" Triplex Opal Glass (acid etch on the outside) | |
| Weight | 9.4 kg / 20.7 lb | |
| Light Source | LED Bulb (included) | 6 x 4 W |
| | Max Wattage | 6 x 15 W |
| | Total Lumens | 1320 lm |
| | Color Temperature | 2200-3000 K |
| | Bulb Base | E14 / E12 |
| | Bulb Size | G45, max length 80 mm / 3.2" |
| | Power Supply | 230/120V CE/UL |
| | Dimmable with electronic dimmers only (ELV, trailing edge) | |
| Finishes | LBB / Lacquered Burnished Brass BGM / Black Gunmetal PN / Polished Nickel (extra charge of 25%) | |
| Cord | 3000 mm / 118.1" with inline on-off switch and plug Switch location 500 mm / 19.7" from the base | |
| CE/UL Certified | CE/UL | |
| Ingress Protection | IP 20 | |

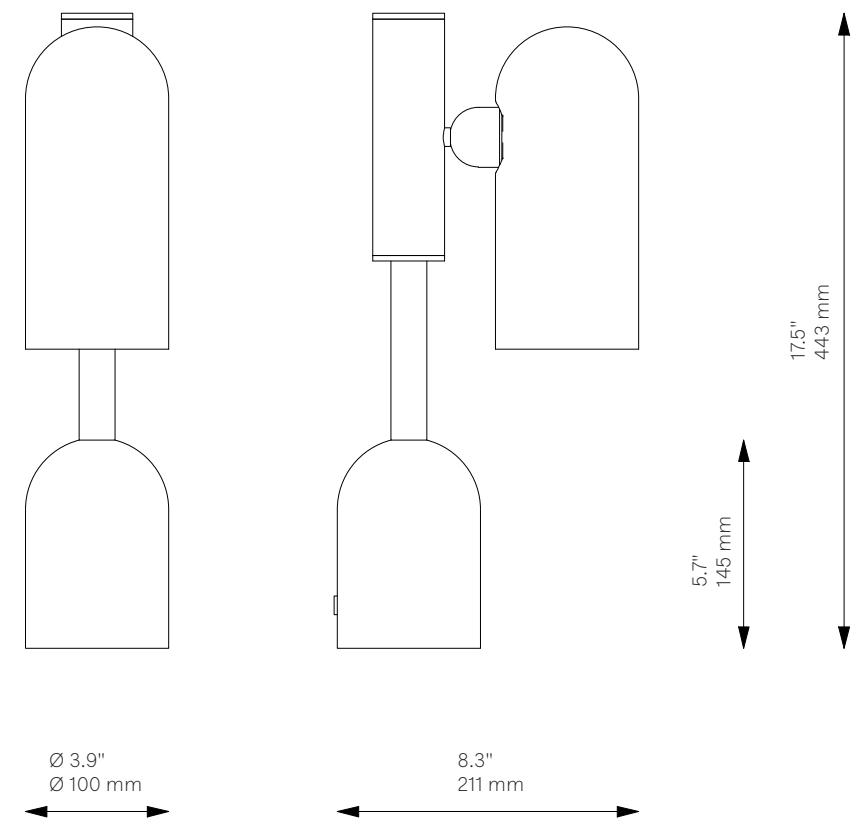


Odyssey 1

Table Lamp - B148

Odyssey Collection

Schwung Product Information



| | | |
|---------------------------|---|------------------------------|
| Glass Lampshades | 1 x Ø 100 mm x H 225 mm / Ø 3.9" x H 8.9" Triplex Opal Glass (acid etch on the outside) | |
| Weight | 4.4 kg / 9.7 lb | |
| Light Source | LED Bulb (included) | 1 x 4 W |
| | Max Wattage | 1 x 15 W |
| | Total Lumens | 220 lm |
| | Color Temperature | 2200-3000 K |
| | Bulb Base | E14 / E12 |
| | Bulb Size | G45, max length 80 mm / 3.2" |
| | Power Supply | 230/120V CE/UL |
| | Dimmable with electronic dimmers only (ELV, trailing edge) | |
| Finishes | LBB / Lacquered Burnished Brass BGM / Black Gunmetal PN / Polished Nickel (extra charge of 25%) | |
| Cord | 3000 mm / 118.1" with inline on-off switch and plug Switch location 500 mm / 19.7" from the base | |
| CE/UL Certified | CE/UL | |
| Ingress Protection | IP 20 | |



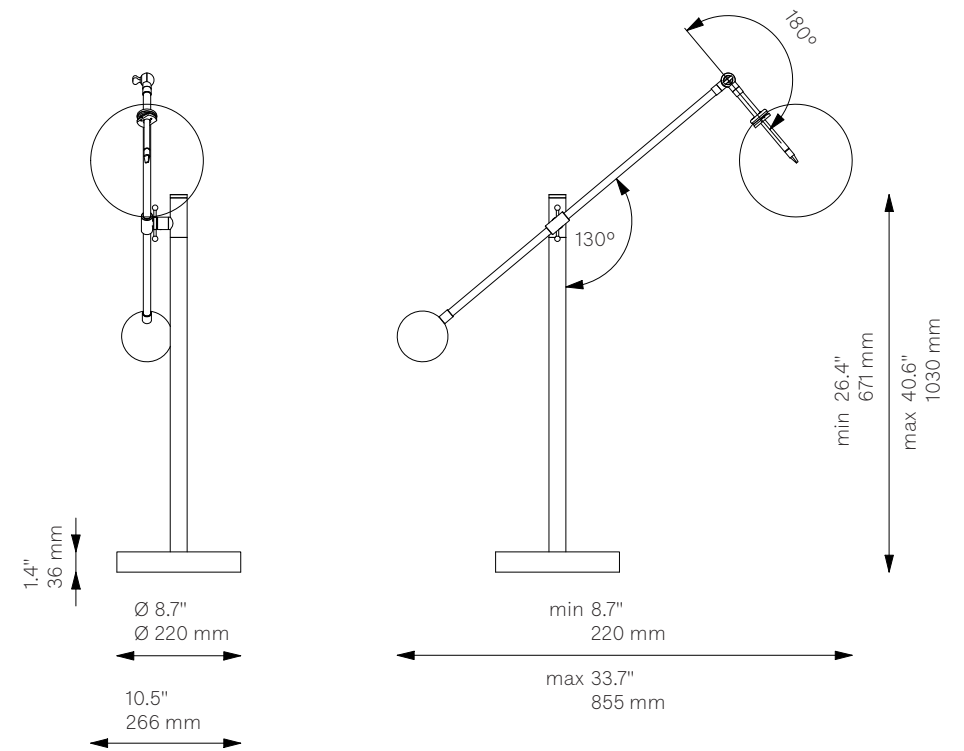
Milan

Table Lamp - B081

Unavailable in the USA and Canada.

Classic Collection

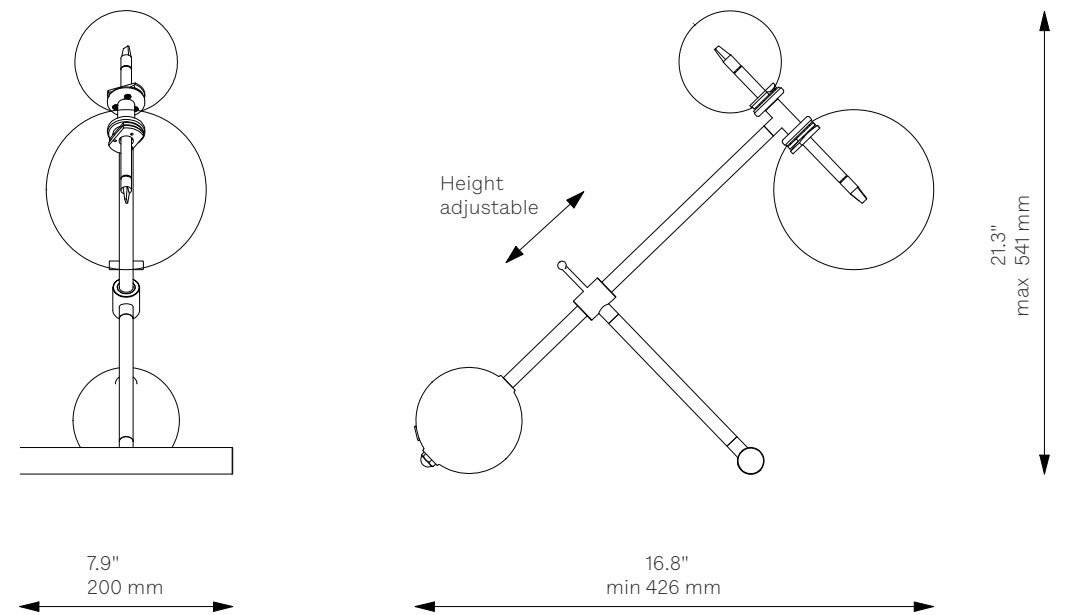
Schwung Product Information



| | | |
|---------------------------|---|-----------|
| Glass Lampshades | 1 x Ø 200 mm / Ø 7.9" Borosilicate Transparent Glass | |
| Weight | 7.4 kg / 16.3 lb | |
| Light Source | LED Bulb (included) | 1 x 1.6 W |
| | Max Wattage | 1 x 15 W |
| | Total Lumens | 180 lm |
| | Color Temperature | 2700 K |
| | Bulb Base | G4, 12 V |
| | Dimmable with electronic dimmers only (ELV, trailing edge) | |
| Finishes | LBB / Lacquered Burnished Brass BGM / Black Gunmetal PN / Polished Nickel (extra charge of 25%) | |
| Cord | 3 m / 118.1" with inline on-off switch and plug Switch location 50 cm / 19.7" from the base | |
| CE/UL Certified | CE/UL | |
| Ingress Protection | IP 20 | |



Schwung Product Information



Zosia

Table Lamp - B063




Unavailable in the USA and Canada.




Classic Collection



| | |
|---------------------------|--|
| Glass Lampshades | 1 x Ø 150 mm / Ø 5.9" 1 x Ø 100 mm / Ø 3.9" Borosilicate Transparent Glass |
| Weight | 2.7 kg / 6.0 lb |
| Light Source | LED Bulb (included) 2 x 1.6 W Max Wattage 2 x 15 W Total Lumens 360 lm Color Temperature 2700 K Bulb Base G4, 12 V Dimmable with electronic dimmers only (ELV, trailing edge) |
| Finishes | LBB / Lacquered Burnished Brass BGM / Black Gunmetal PN / Polished Nickel (extra charge of 25%) |
| Cord | 3 m / 118.1" with inline on-off switch and plug Switch location 50 cm / 19.7" from the base |
| CE/UL Certified | CE/UL |
| Ingress Protection | IP 20 |


Globe Types

Schwung Product Information

| Globe Collection | Name | Technical Detail |
|--|----------|---------------------------------------|
|  | Opal Mat | Soda Lime Triplex Opal Matte Glass |
|  | Marble | Soda Lime Marble Matte Glass |
|  | Dries | Borosilicate Transparent Ribbon Glass |

| Odyssey Collection | Name | Technical Detail |
|---|-----------------|---|
|  | Cylinder Mat SM | Triplex Opal Glass (acid etch on the outside) |
|  | Cylinder Mat MD | Triplex Opal Glass (acid etch on the outside) |
|  | Cylinder Mat LG | Triplex Opal Glass (acid etch on the outside) |

| Molecule Collection | Name | Technical Detail |
|--|-------------|--------------------------------|
|  | Transparent | Borosilicate Transparent Glass |
|  | Frosted | Borosilicate Sandblasted Glass |

| Other Globes | Name | Technical Detail |
|---|-------------|--------------------------------|
|  | Glass Globe | Borosilicate Transparent Glass |

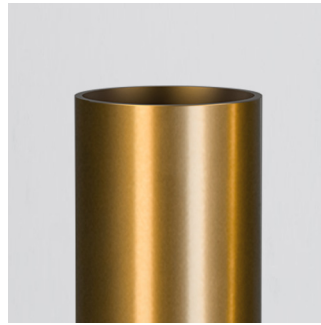
Finishes Types



PN / Polished Nickel
(extra charge of 25%)



BGM / Black
Gunmetal



LBB / Lacquered
Burnished Brass

Customization Order Guide

30% Extra Charge Customization

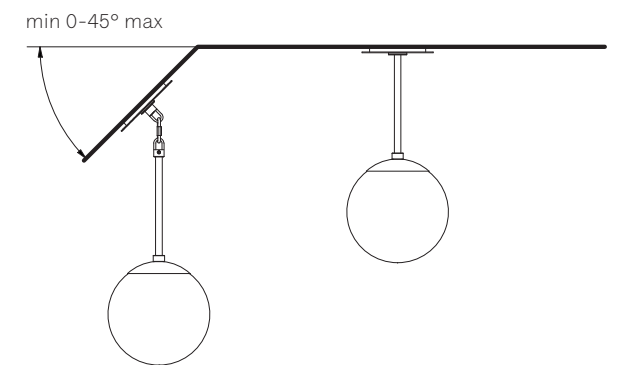
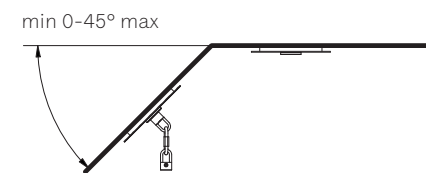
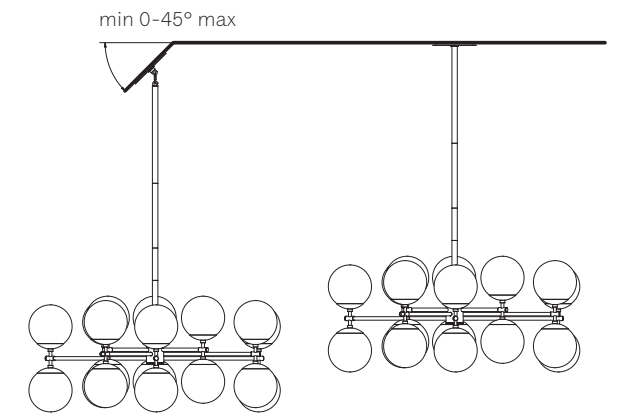
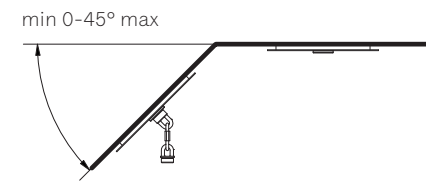
- 1 Shortening the product - the minimum length of the lamp, shortening the arms of the lamp.
- 2 Product modification within the maximum length, replacement of lampshades - does not take into account the change in the number of lampshades.
- 3 Extending the maximum length of the lamp to 3 m (9.84 feet) - does not include extending the arms of the lamp.
- 4 Changing the color of the wire from the standard offer.

This is a standard customization price guide. More time consuming and/or more elaborate customization will be charged accordingly based on customer specification and the customization price may vary depending on the technical department's evaluation and approval.

Additional Information

Sloping Ceiling Application

The suspended ceiling bracket is recommended for ceilings with an angle of 0 to 45 degrees



SCHWUNG HOME

EU
ul. Pułaskiego 4a
46-100 Namysłów
Poland

USA
501 S Centennial Street
High Point, NC 27260

@ schwung.design
www.schwung.design

Inquiries and Dealers

EU
info@schwung.design
USA
sales@schwung.design

Press Info

press@schwung.design

Call Us

EU
+48 605 332 600
USA
+1 336 307 3712

